

## EFCT-SERIES (PGC-3000)



### Current Transformer



### Description

The EFCT-Series is a sensitive, nickel-core current transformer used with Littelfuse relays to detect low levels of earth-leakage current.

### Specifications

<b>RATIO</b>	100:1, 5:0.05 A rating
<b>ACCURACY</b>	0.01 VA 10P10 ( $\pm 3\%$ @ Rated, $\pm 10\%$ @10xRated) Saturation Knee Point = 1 V @10 mA
<b>FREQUENCY</b>	50 to 400 Hz 0 to 15 kHz for EL731
<b>INSULATION LEVEL</b>	600 V
<b>APPLICATION</b>	EL731, FPU-32, FPS, MPU-32, MPS, SE-330, SE-701, SE-703

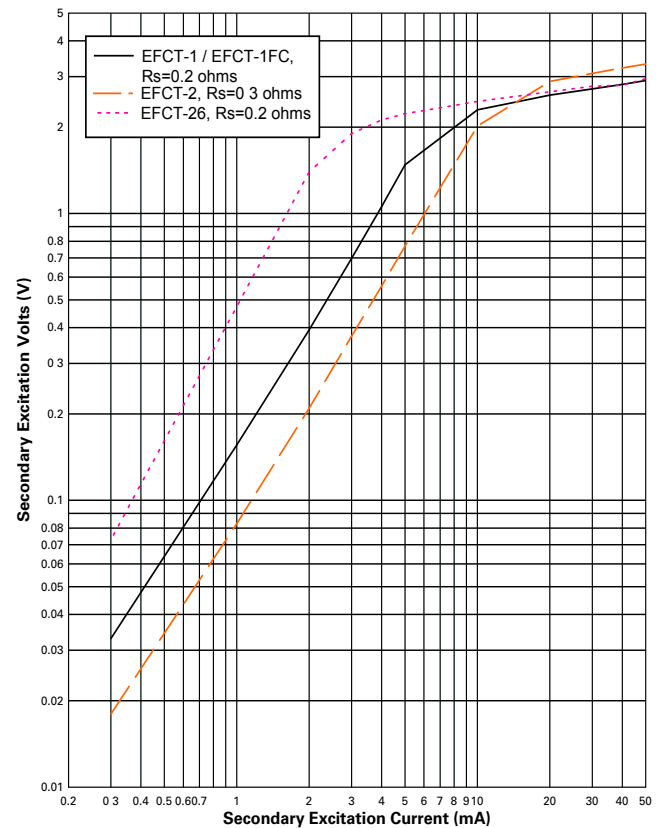
### Ordering Information

ORDERING NUMBER	WINDOW SIZE, 1D
EFCT-1 (PGC-3082)	82 mm (3.2")
EFCT-2 (PGC-3140)	139 mm (5.5")
EFCT-26 (PGC-3026)	26 mm (1.0")

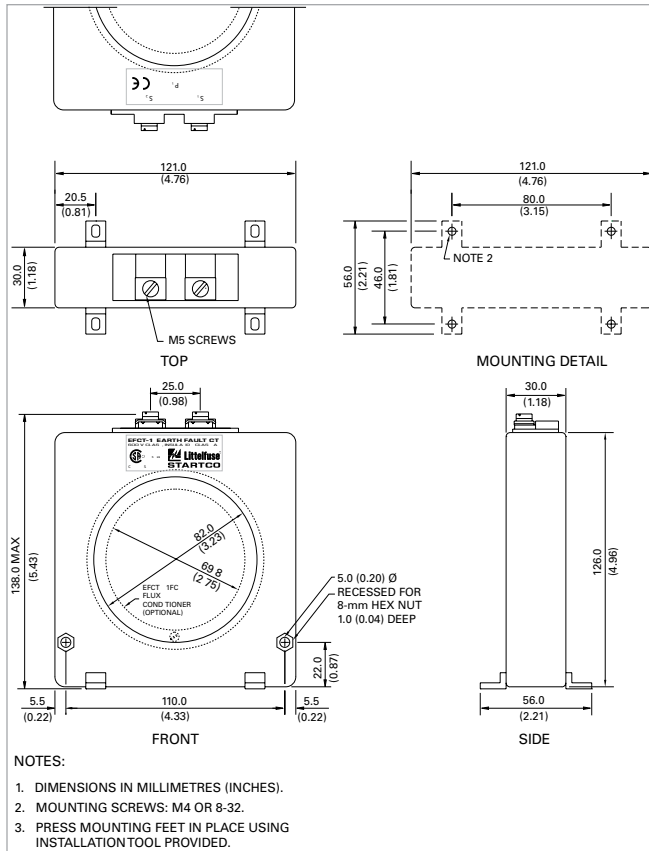
### Accessories



**EFCT-1FC Flux Conditioner**  
used with the EFCT-1 to reduce saturation and prevent false operation due to large surge currents.



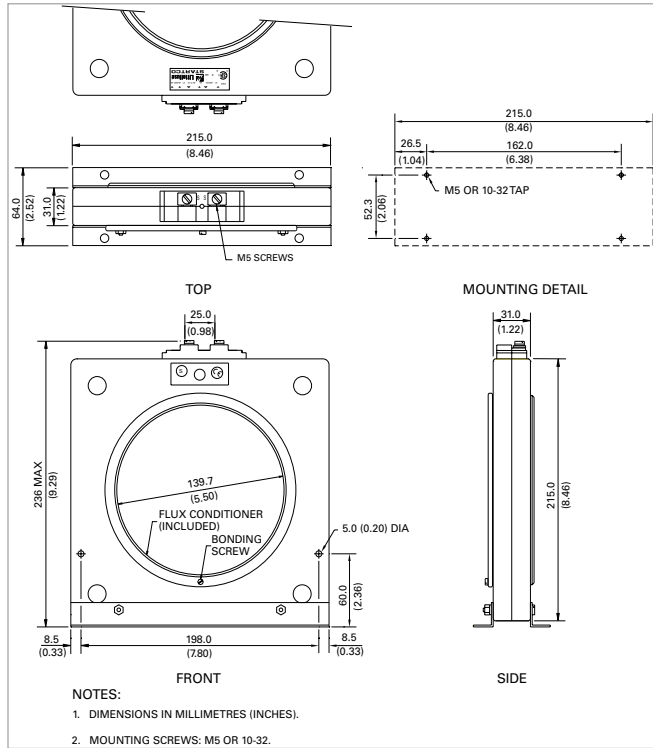
## EFCT-SERIES (PGC-3000)



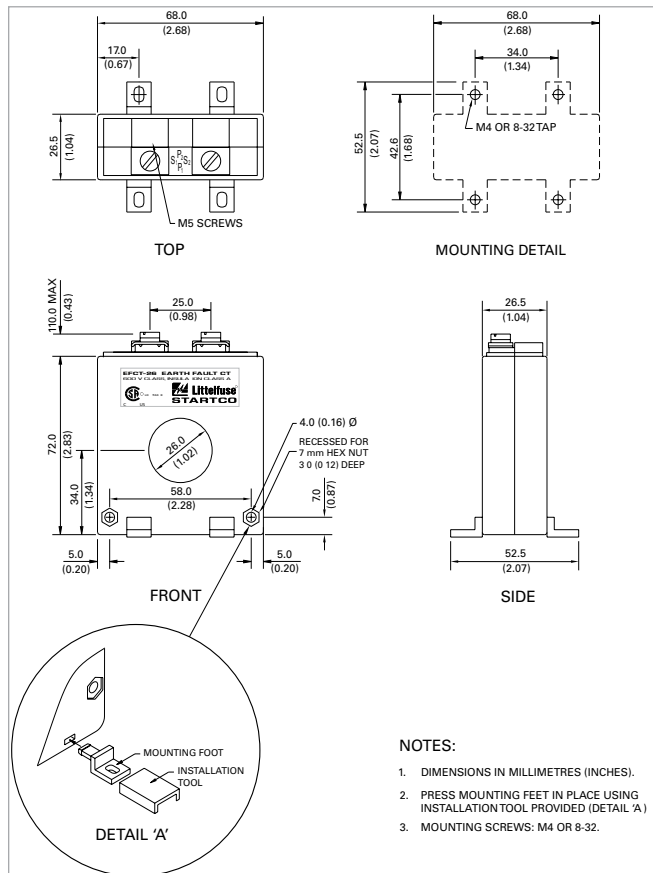
**EFCT-1 OUTLINE AND MOUNTING DETAILS**

### Weights

MODEL	WEIGHT
EFCT-1	0.9 kg (2 lbs)
EFCT-2	3 kg (7 lbs)
EFCT-26	0.2 kg (0.7 lbs)



**EFCT-2 OUTLINE AND MOUNTING DETAILS**



**EFCT-26 OUTLINE AND MOUNTING DETAILS**

# Mouser Electronics

Authorized Distributor

Click to View Pricing, Inventory, Delivery & Lifecycle Information:

[Littelfuse:](#)

[EFCT-1FC](#) [EFCT-26](#) [EFCT-1](#) [EFCT-2](#)