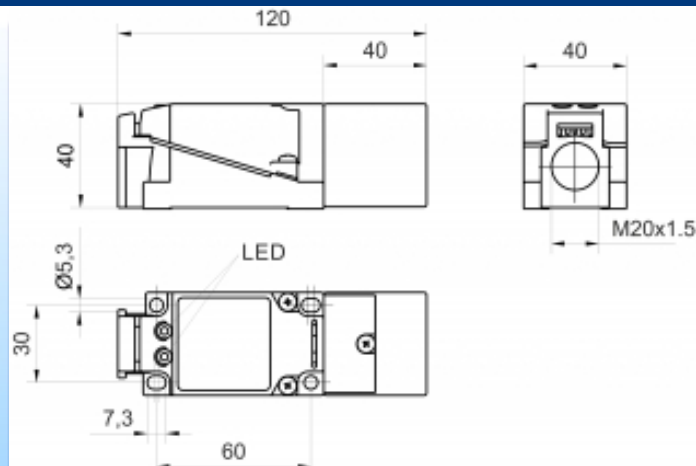
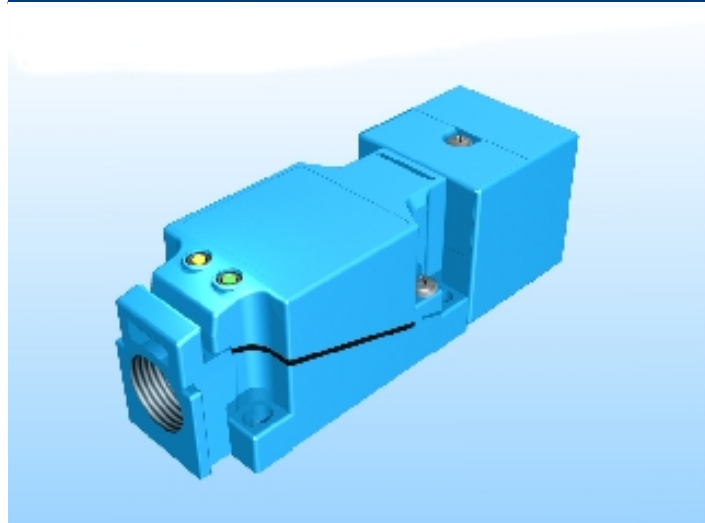




[Article Page](#)

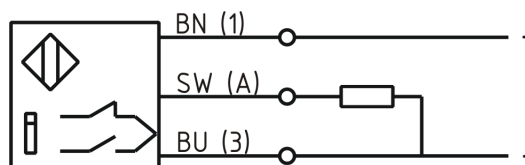
**Product Description**

**inductive sensor DC**



|                    |  |
|--------------------|--|
| Name               | KJ15-Q40KB-DPU   |
| Order number       | 08317633000  |
| Matchcode          | 9863-3000  |
| Switching distance | 15 mm  |
| Mounting           |  shielded   |
| Switch type        |  Switchable |
| Signal Type        | DC PNP   |
| Connection         | Terminal   |

Connection diagramm



|                   |                 |
|-------------------|-----------------|
| Dimension (in mm) | Q 40 x 40 x 120 |
|-------------------|-----------------|

**Technical Specification**

|                       |                   |
|-----------------------|-------------------|
| Operating voltage     | 10 - 30 V DC      |
| Max. ripple           | ≤ 10 %            |
| Voltage drop          | 2,4 V             |
| Max. load current     | 400 mA            |
| No load current       | ≤ 34 mA           |
| Leakage current       | ≤ 10 µA           |
| Switching frequency   | 150               |
| Switching hysteresis  | ≤ 20 %            |
| Operating temperature | -25 ° C to 70 ° C |

|                            |                             |
|----------------------------|-----------------------------|
| Temperature drift          | ≤ 10 %                      |
| Repeat accuracy            | ≤ 5 %                       |
| Operating state            | LED                         |
| Swiching state             | LED                         |
| Short-circuit proof        | yes                         |
| Overload protection        | yes                         |
| Reverse voltage protection | yes                         |
| Protection category        | IP67                        |
| EMC-level                  | DIN EN 60947-5-2: 2008      |
| Housing material           | Trogamid                    |
| Degree of pollution        | DC 13                       |
| Termination                | Terminal 1,5mm <sup>2</sup> |

**Errors and omissions exceptet**