

the **sensor** people

## LSIS 220 Series

Compact code reader –  
for moving 1D- and 2D-codes as well



**Small, fast and very clever.**

The LSIS 220 series code readers.

## Better optics and optimized resolution for faster code reading, even in motion.

Particularly when reading moving codes, how quickly the captured data can be processed is decisive. A very high resolution is, due to the larger quantity of data that is collected, a hindrance in this case and brings no real added value. Furthermore, it is important that everything located in the read field of the sensor be in focus in order, for example, to reliably detect codes that are not centered when moved past the reader.

We took all of this into account in the development of the new LSIS 220 and, in addition to the robust construction, the integrated RS 232 or USB interface, and the range of readable codes, also equipped it with optimized resolution and improved optics. Thus, the new readers now offer more performance reserves, reliability and speed, even with moving codes.

The LSIS 220 series is a universal code reader for:



### Bar code

The bar code is a machine-readable format whose information is encoded in bars of varying width. Bar codes exist for various applications in different forms.



### Stacked code

Since they are encoded in multiple lines, stacked codes can contain more information than simple bar codes. Depending on type, they may also include error correction for reading damaged codes.



### 2D-code

2D- or Data Matrix Codes can store a great amount of information in a very small space due to their matrix structure. In addition, a special error correction algorithm also allows partially destroyed codes to be read.



### The most important features at a glance

- Optimized camera resolution of  $838 \times 640$  pixels for fast code reading, even while in motion
- Improved optics for larger read field and in-focus detection all the way to the edge areas
- Detection of 2D-codes, stacked codes and bar codes
- RS 232 or USB interface
- M12 turning connector (8-pin)
- Switching input and switching output
- LED indicator for completed read operations and switching inputs
- Trigger button for manual activation and configuration
- Construction without mechanically moved parts, robust metal housing with glass window and protection class IP 65 make the devices very well suited for industrial use
- Extremely small construction size, also for installation under difficult conditions
- Metric mounting thread
- Extensive selection of accessories



## **Flexible** in use and able to take a **beating**.

The code readers of the LSIS 220 series are suitable for a variety of applications in various industries. With protection rating IP 65 and robust design, even rough industrial use, such as in robotic arms or automatic testing machines, poses no challenge.

### Sample areas of application

- Handling and automated testing systems
- Manual reading by holding up the code by hand
- Automatic reading in robotic systems
- Analysis automation (blood analysis, etc.)
- Part tracing with code labels
- Reading moving codes

### **LEUZE ELECTRONIC IN MOTION**

#### **Experience the LSIS 220 live in action.**

Simply scan in the adjacent QR code with the LSIS 220 or your smart phone and you can experience the possibilities of the LSIS 220 up close.



### Omnidirectional code reading

- The camera system can read the codes at any angle. As a result, it is not necessary to align the code on the part



### Reading codes in automatic handling machines

- Compact and lightweight housing
- Robust metal housing suitable for industrial use
- Large read field with improved optics



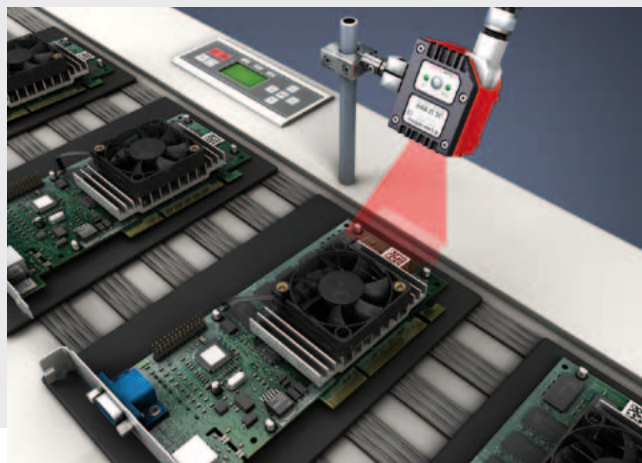
### Reading codes in presentation mode

- Fast and reliable identification of the merchandise by holding up the code
- The device is permanently mounted; as a result, the employees have both hands free for holding up the code



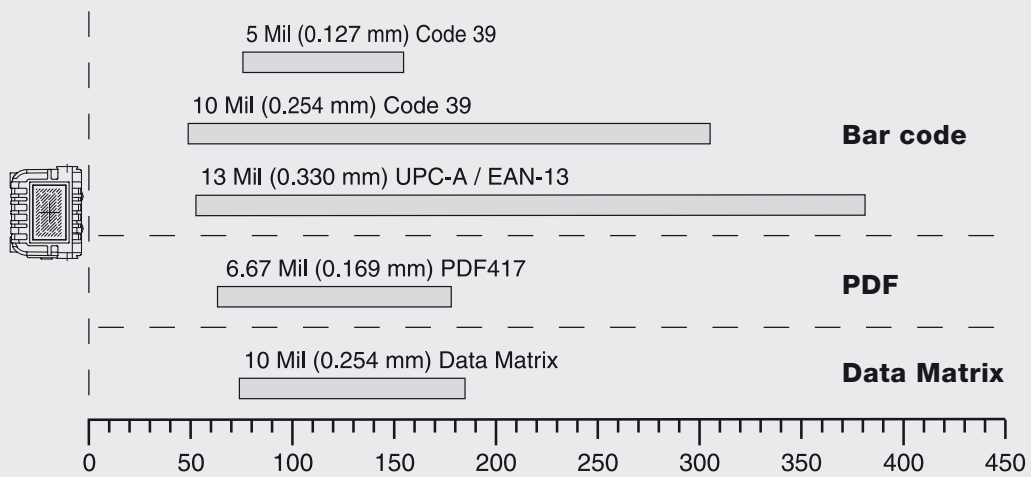
### Reading codes in intralogistics

- Detection of codes in production for parts tracking
- Identification of parts

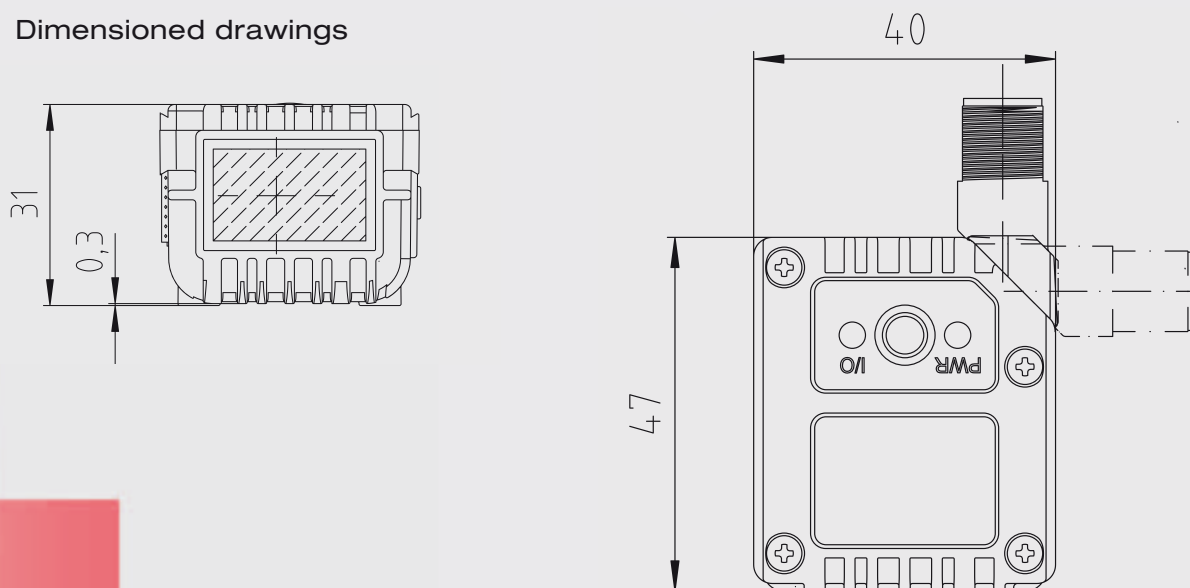


# Technical features

## Reading distances



## Dimensioned drawings



	<b>LSIS 222</b>	<b>LSIS 223</b>
<b>Electrical data</b>		
Operating voltage $U_b$	10 ... 30 V DC	5V DC
Power consumption	3 W	2.5W
<b>Interfaces</b>		
Interface type	RS 232	USB
Trigger	serial command, auto-trigger mode or switching input	
<b>Types of codes</b>		
2D-codes	Data Matrix ECC 200, MaxiCode, PDF417, MicroPDF, QR Code, Aztec, Code 49, EAN/UCC Composite	
Bar codes	2/5 Interleaved, Code 39, Code 128, Code 93, Codabar, UPC/EAN, GS1 Databar	
<b>Optical data</b>		
Optical system	high-resolution CMOS pixel array 838 × 640	
Contrast	20% (black/white)	
Light source	integrated diffuse LED (red)	
Reading distance	53 ... 381 mm (EAN 13 100%)	
Focal point	127 mm	
Read direction	omnidirectional, various tilt and rotational angles up to 45°	
<b>Mechanical data</b>		
Housing	diecast zinc	
Weight	130g	
Dimensions	47 × 40 × 32 mm	
<b>Environmental data</b>		
Ambient temperature (operation)	0 °C ... +40 °C	
Ambient temp. (storage)	-20 °C ... +70 °C	
Relative humidity	0 ... 95%, (non-condensing)	



## **Optoelectronic Sensors**

Cubic Series  
Cylindrical Sensors, Mini Sensors, Fiber Optic Sensors  
Measuring sensors  
Special Sensors  
Light curtains  
Forked Sensors  
Double Sheet Monitoring, Splice Detection  
Inductive switches  
Accessories

## **Identification Systems**

### **Data Transmission Systems**

### **Distance Measurement**

Bar Code Readers  
RF-IDent-systems  
Modular Interfacing Units  
Industrial Image Processing Systems  
Optical Data Transmission Systems  
Optical Distance Measurement/Positioning  
Mobile code readers

## **Safety Sensors**

### **Safety Systems**

### **Safety Services**

Safety Laser Scanner  
Safety Light Curtains  
Transceivers and Multiple Light Beam Safety Devices  
Single Beam Safety Devices  
AS-i-Safety Product Range  
Safety Sensor Technology for PROFIBUS DP  
Safety Switches, Locking Devices, Command Devices  
Safety relays/controllers  
Sensor Accessories and Signal Devices  
Safety Engineering Software  
Machine Safety Services

Leuze electronic GmbH + Co. KG

In der Braike 1

D-73277 Owen / Germany

Phone +49 7021 573-0

Fax +49 7021 573-199

info@leuze.de

www.leuze.com