

Basket filter TYPE DELTA-OW

For Hydrous, Viscose and Super-Viscose Media

The DELTA-OW is a logic, cost-efficient and environmental-protecting way of filtration.

- Compact and space saving filter housing caused of an integrated switch-over
- In- and outlet on the same height
- Quick release fastener to open the filter cover easily (single-hand control)
- Quick and easy mounting and demounting of the baskets, which are made of stainless steel
- The switch-over makes a continuous flow rate possible
- Low decrease in pressure
- Easy to handle
- Nominal diameter connection from DN20 to DN200
- Filter meshes from 50 µm up to 6350 µm
- Special baskets with meshes from 10 µm to 25 µm as pleated versions available



OPTIONAL

Differential pressure indicators with and without electrical contact for remote transmission, magnetic columns, pleated baskets, high pressure version etc.

Description

The double basket filters of our DELTA-OW series offer a cost-efficient method to clean liquids and to regain valuable solid state bodies as well as they protect piping, controls and instruments. The compact filter is a cast design and is supplied with high quality stainless steel baskets. The switch-over control is integrated in the one-piece cast housing. You can switch between the two filter chambers by turning the hand lever. Thereby the media is conducted from one basket to the other without interruption.

Some branches of industry for example:

Automobile industry
Beverages and Food industry
Chemical industry
Cosmetic industry
Metalworking and steel industry
Mineral oil industry
Paint and lacquer industry
Paper industry
Water supply companies etc.

SPECIFICATION

Type	OW/O	OW/WB	OW/S (1)	OW/S/WB (1)	OW/SS (1)	OW/C
Body and cover material	Cast iron EN 1561 EN-JL 1030	Cast iron EN 1561 EN-JL 1030	Cast steel EN 10213 1.0625	Cast steel EN 10213 1.0625	Stainless Steel Casting EN 10213 1.4408	Cast iron EN 1561 EN-JL 1030
Max. working pressure at 50°C	17 bar * 16bar **	17 bar * 16 bar **	22 bar * 16 bar **	22 bar * 16 bar **	22 bar * 14,3 bar **	17 bar * 16 bar **
Baskets	Stainless steel 1.4571/1.4401	Stainless steel 1.4571/1.4401	Stainless steel 1.4571/1.4401	Stainless steel 1.4571/1.4401	Stainless steel 1.4571/1.4401	Stainless steel 1.4571/1.4401
Drain plugs	Brass	Brass	Stainless steel	Brass	Stainless steel	Stainless steel
Seals (standard)	FPM	FPM	FPM	FPM	FPM	FPM
Sleeve	none	Brass BS1400 LG2C	none	Brass BS1400 LG2C	none	none
Change over cocks Metallically sealing – low maintenance	Spheroidal graphite EN 1563 EN-JS 1030	Brass BS1400 LG4C	Spheroidal graphite EN 1563 EN-JS 1030	Brass BS1400 LG4C	Stainless steel EN 10213 1.4408	Stainless steel EN 10213 1.4408
Internal parts	Steel EN 10087 1.0715	Stainless steel EN 10088 1.4305	Steel EN 10087 1.0715	Stainless steel EN 10088 1.4305	Stainless steel EN 10088 1.4305	Stainless steel EN 10088 1.4305
Paintwork	red	blue	silver	silver	none	red

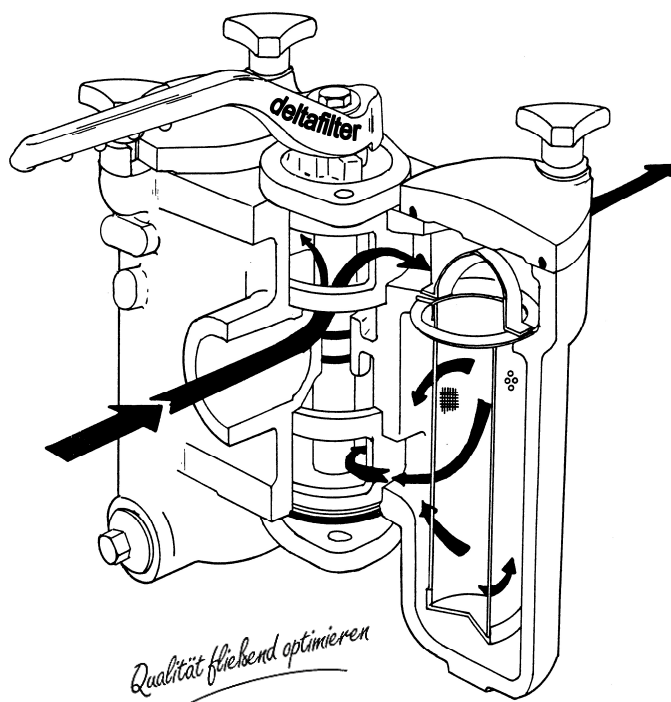
*inner thread **flange drilled acc. EN1092-1

(1) also available in high pressure design A300

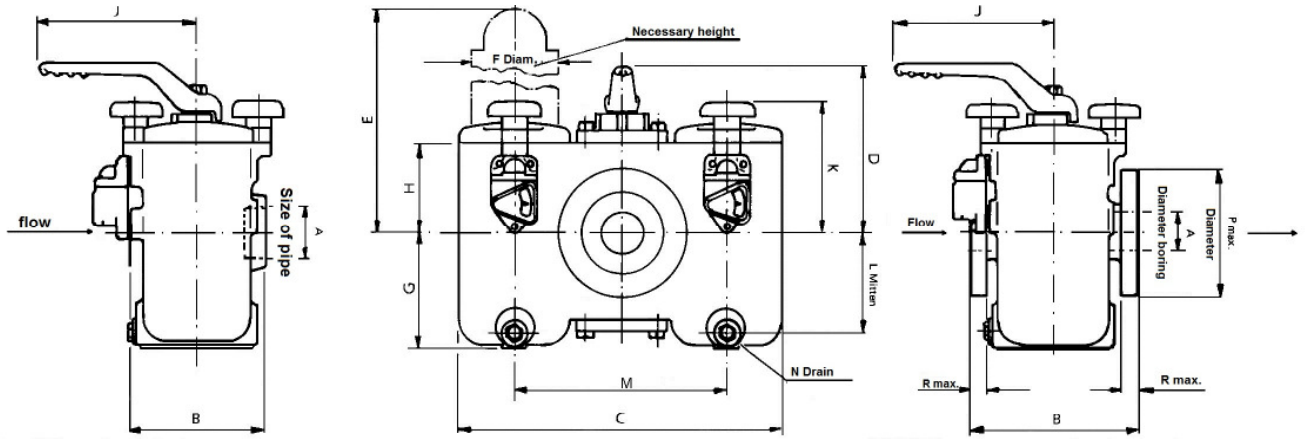
DELTAFILTER also provides other sealing materials on request.

Standard basket data

Perforated plate Holes per square inch	Concinnity in micrometres	Free area in percent
11	6350	54
33	3170	39
124	1600	38
Concinnity in MESH		
20	910	53
30	560	42
40	380	40
60	250	35
80	190	34
120	130	32
200	80	36
300	50	32



DIMENSIONS AND WEIGHTS



Screw thread according to BSP (NPT optional available)

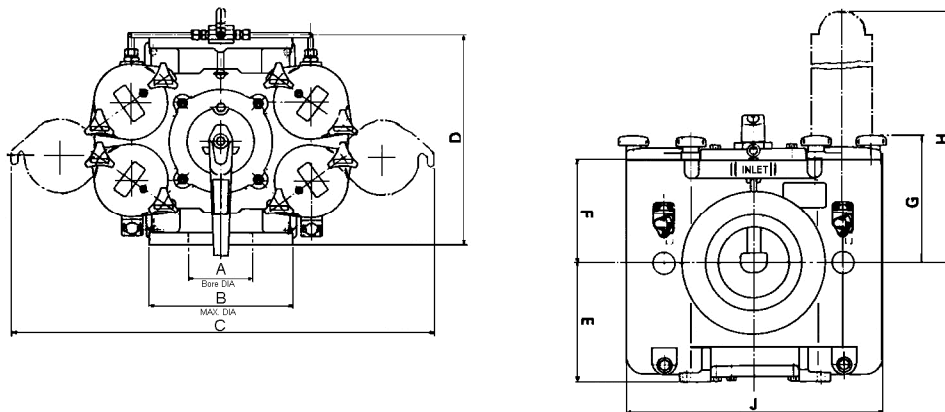
A	B	C	D	E	F	G	H	J	K	L	M	N	Area per basket	Weight
20 mm ¾" BSP	120 mm	282 mm	149 mm	220 mm	73 mm	105 mm	64 mm	205 mm	103 mm	86 mm	170 mm	½" BSP	184 cm ²	13 kg
25 mm 1" BSP	120 mm	282 mm	149 mm	220 mm	73 mm	105 mm	64 mm	205 mm	103 mm	86 mm	170 mm	½" BSP	184 cm ²	13 kg
32 mm 1¼" BSP	137 mm	295 mm	175 mm	306 mm	73 mm	145 mm	90 mm	205 mm	132 mm	122 mm	184 mm	½" BSP	268 cm ²	19 kg
40 mm 1½" BSP	137 mm	295 mm	175 mm	306 mm	73 mm	145 mm	90 mm	205 mm	132 mm	122 mm	184 mm	½" BSP	268 cm ²	19 kg
50 mm 2" BSP	184 mm	425 mm	216 mm	351 mm	112 mm	156 mm	112 mm	219 mm	165 mm	131 mm	280 mm	½" BSP	484 cm ²	49 kg
65 mm 2½" BSP	184 mm	425 mm	216 mm	351 mm	112 mm	156 mm	112 mm	219 mm	165 mm	131 mm	280 mm	½" BSP	484 cm ²	49 kg

FLANGES drilled according EN1092-1 (ANSI and BS optional available)

A	B	C	D	E	F	G	H	J	K	L	M	N	P	R	Area per basket	Weight
25 mm 1"	152 mm	282 mm	149 mm	220 mm	73 mm	105 mm	64 mm	205 mm	103 mm	86 mm	170 mm	½" BSP	124 mm	16 mm	184 cm ²	16 kg
40 mm 1½"	175 mm	295 mm	175 mm	306 mm	73 mm	145 mm	90 mm	205 mm	132 mm	122 mm	184 mm	½" BSP	156 mm	18 mm	268 cm ²	23 kg
50 mm 2"	210 mm	425 mm	212 mm	351 mm	112 mm	156 mm	112 mm	219 mm	165 mm	131 mm	280 mm	½" BSP	165 mm	20 mm	484 cm ²	52 kg
65 mm 2½"	230 mm	425 mm	212 mm	351 mm	112 mm	156 mm	112 mm	219 mm	165 mm	131 mm	280 mm	½" BSP	191 mm	20 mm	484 cm ²	53 kg
80 mm 3"	267 mm	490 mm	256 mm	451 mm	132 mm	210 mm	140 mm	250 mm	198 mm	186 mm	330 mm	½" BSP	210 mm	22 mm	718 cm ²	85 kg
100 mm 4"	318 mm	540 mm	294 mm	575 mm	132 mm	265 mm	175 mm	250 mm	233 mm	241 mm	380 mm	½" BSP	230 mm	24 mm	964 cm ²	125 kg
200 mm 8"	570 mm	1020 mm	550 mm	1210 mm	248 mm	520 mm	390 mm	500 mm	436 mm	472 mm	700 mm	½" BSP	381 mm	30 mm	3980 cm ²	730 kg

DIMENSIONS

6" MULTI-BASKET (two baskets per filter chamber)

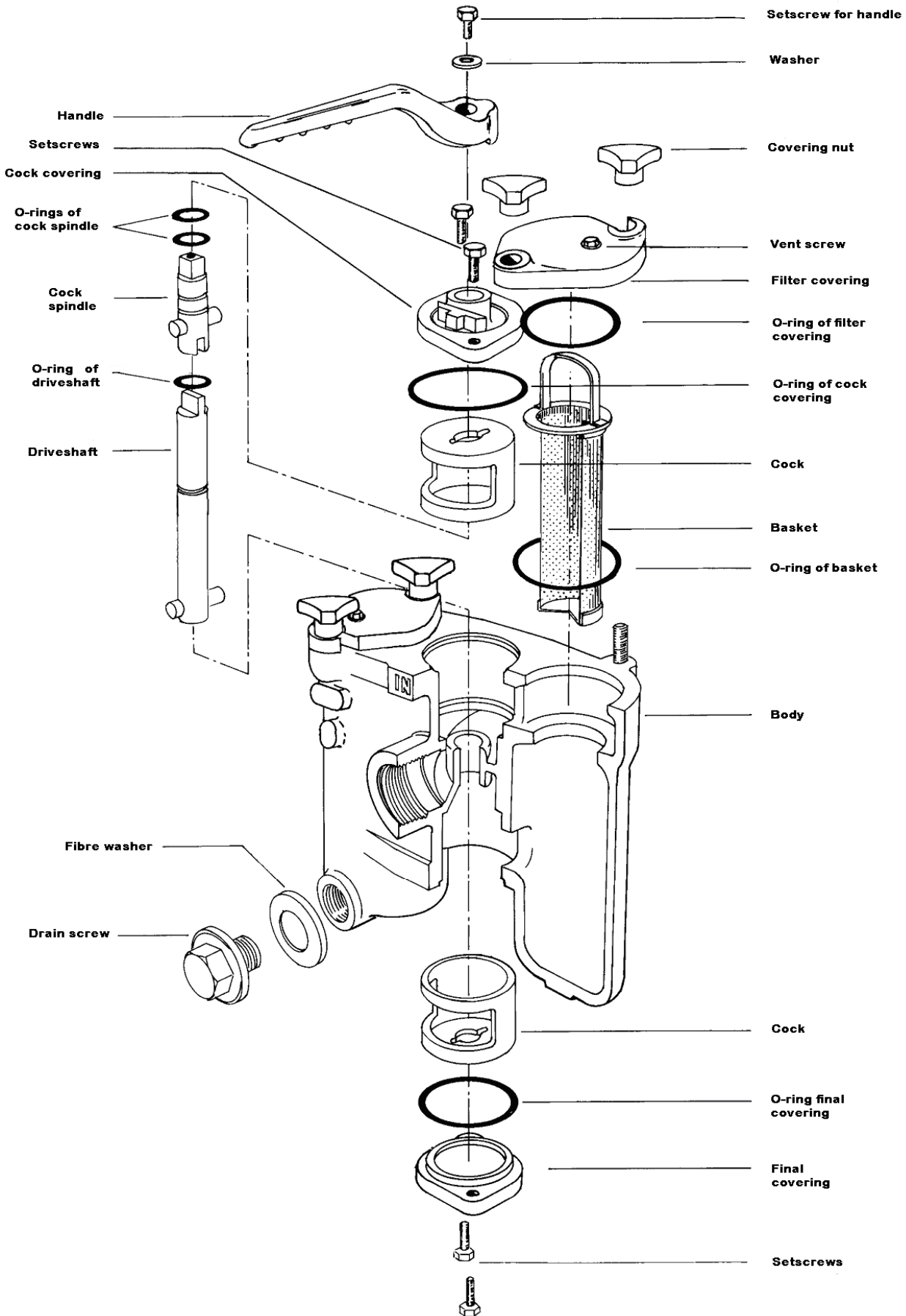


DIMENSIONS

A	B	C	D	E	F	G	H	J	Area per basket	Weight
6" (150mm)	320 mm	944 mm	472 mm	268 mm	230 mm	286 mm	575 mm	596 mm	1129 cm ²	250 kg

SPARE PARTS DRAWING

Qualität fließend optimieren



07/16 Technical changes reserved.

brand of SPX®FLOW