


Position	Qty.	Description
	1	<p>CR 10-18 A-FJ-A-E-HQQE</p>  <p>Product No.: 96501223</p> <p>Vertical, multistage centrifugal pump with suction and discharge ports on same the level (in-line) enabling installation in a horizontal one-pipe system. The pump head and base are in cast iron – all other wetted parts are in stainless steel.</p> <p>A cartridge shaft seal ensures high reliability, safe handling and easy service and access. Power transmission is via a split coupling. Pipework connection is via combined DIN-JIS flanges.</p> <p>The pump is fitted with a 3-phase, fan-cooled asynchronous motor.</p> <p>Liquid:</p> <p>Pumped liquid: Water Liquid temperature range: -20 .. 120 °C Liquid temp: 20 °C Density: 998.2 kg/m³</p> <p>Technical:</p> <p>Speed for pump data: 2919 rpm Rated flow: 10 m³/h Rated head: 149.4 m Primary shaft seal: HQQE Approvals on nameplate: CE, TR Curve tolerance: ISO9906:2012 3B</p> <p>Materials:</p> <p>Pump housing: Cast iron EN-JL1030 ASTM A48-30 B</p> <p>Impeller: Stainless steel DIN W.-Nr. 1.4301 AISI 304</p> <p>Bush material: NONE</p> <p>Installation:</p> <p>Maximum ambient temperature: 60 °C Max pressure at stated temp: 25 bar / 120 °C 25 bar / -20 °C</p> <p>Flange standard: DIN Pipe connection: DN 40 Pressure stage: PN 25 Flange size for motor: FF265</p> <p>Electrical data:</p> <p>Motor type: 132SB IE Efficiency class: IE3 Rated power - P2: 7.5 kW Power (P2) required by pump: 7.5 kW Mains frequency: 50 Hz Rated voltage: 3 x 380-415D/660-690Y V</p>



Company name:

Created by:

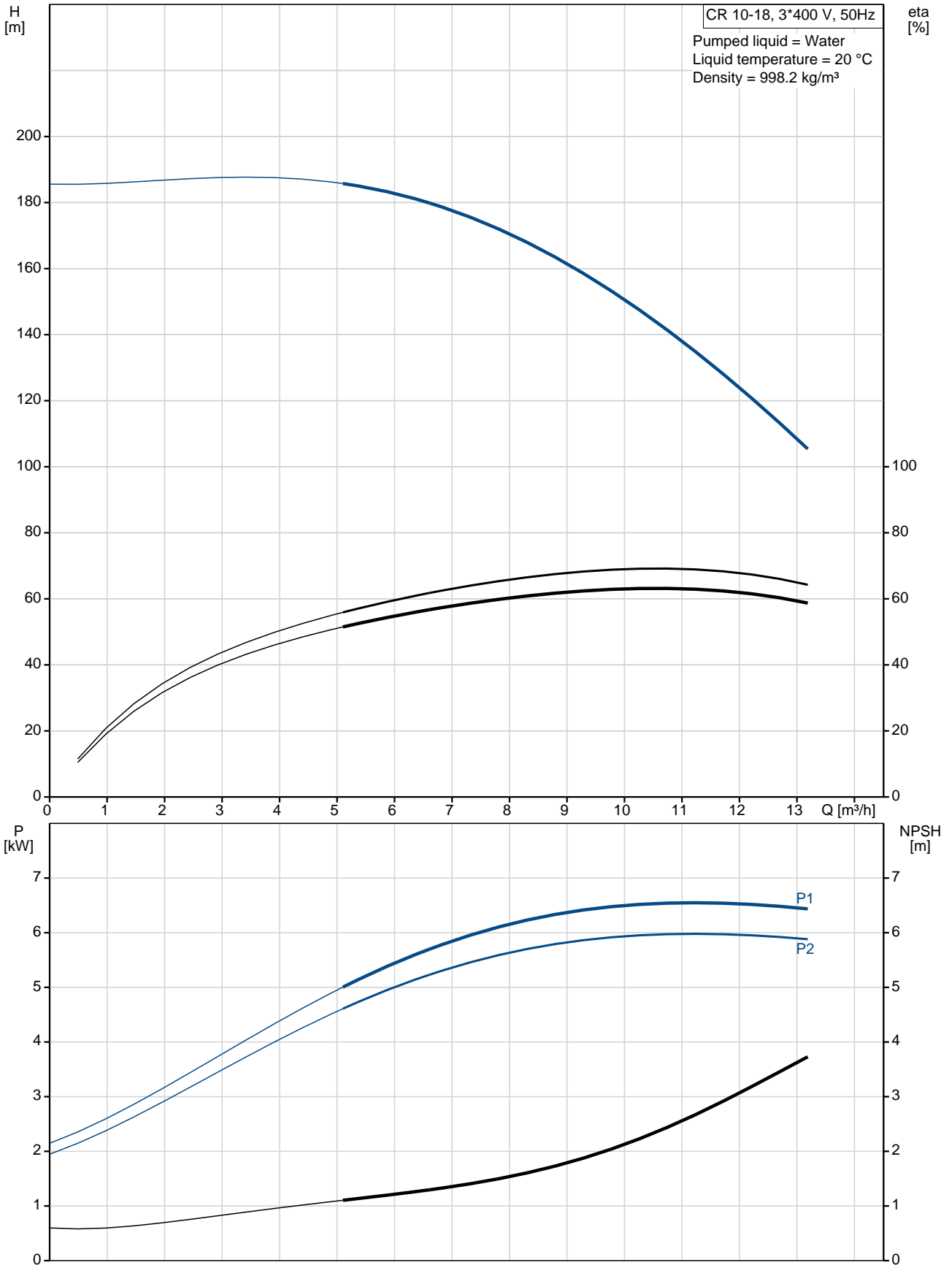
Phone:

Date:

04/01/2017

Position	Qty.	Description
		Rated current: 14,4-14,0/8,30-8,10 A Starting current: 780-910 % Cos phi - power factor: 0,88-0,82 Rated speed: 2910-2920 rpm Efficiency: IE3 90,1% Motor efficiency at full load: 90.1-90.4 % Motor efficiency at 3/4 load: 90.8 % Motor efficiency at 1/2 load: 90.8 % Number of poles: 2 Enclosure class (IEC 34-5): 55 Dust/Jetting Insulation class (IEC 85): F Others: Label: Grundfos Blueflux Minimum efficiency index, MEI : 0.7 Net weight: 109 kg Gross weight: 131 kg Shipping volume: 0.43 m ³

96501223 CR 10-18 50 Hz



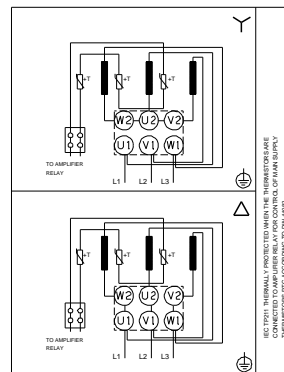
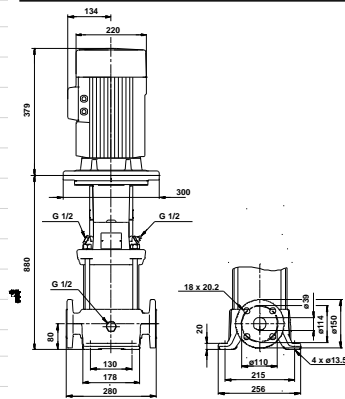
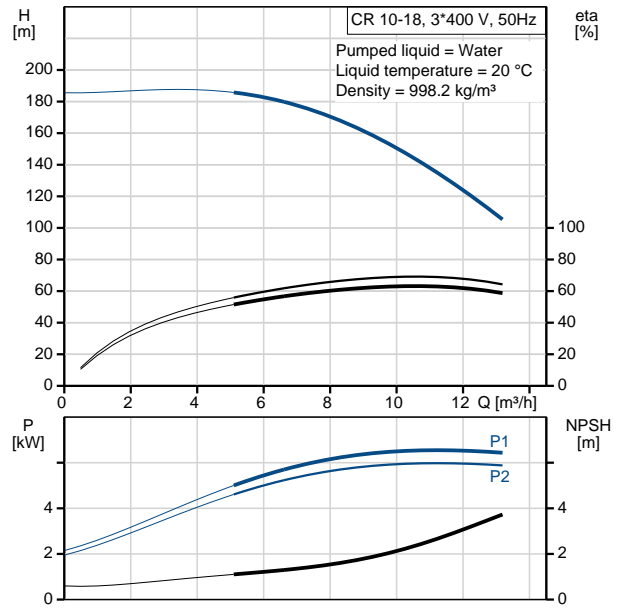
Description	Value
General information:	
Product name:	CR 10-18 A-FJ-A-E-HQQE
Product No:	96501223
EAN number:	5700396217819
Price:	On request
Technical:	
Speed for pump data:	2919 rpm
Rated flow:	10 m ³ /h
Rated head:	149.4 m
Head max:	185 m
Impellers:	18
Primary shaft seal:	HQQE
Approvals on nameplate:	CE,TR
Curve tolerance:	ISO9906:2012 3B
Pump type:	CR 10
Stages:	18
Pump version:	A
Model:	A

Materials:	
Pump housing:	Cast iron EN-JL1030 ASTM A48-30 B
Impeller:	Stainless steel DIN W.-Nr. 1.4301 AISI 304
Material code:	A
Code for rubber:	E
Bush material:	NONE

Installation:	
Maximum ambient temperature:	60 °C
Max pressure at stated temp:	25 bar / 120 °C 25 bar / -20 °C
Flange standard:	DIN
Connect code:	FJ
Pipe connection:	DN 40
Pressure stage:	PN 25
Flange size for motor:	FF265

Liquid:	
Pumped liquid:	Water
Liquid temperature range:	-20 .. 120 °C
Liquid temp:	20 °C
Density:	998.2 kg/m ³

Electrical data:	
Motor type:	132SB
IE Efficiency class:	IE3
Rated power - P2:	7.5 kW
Power (P2) required by pump:	7.5 kW
Mains frequency:	50 Hz
Rated voltage:	3 x 380-415D/660-690Y V
Rated current:	14,4-14,0/8,30-8,10 A
Starting current:	780-910 %
Cos phi - power factor:	0,88-0,82
Rated speed:	2910-2920 rpm
Efficiency:	IE3 90,1%





Company name:

Created by:

Phone:

Date:

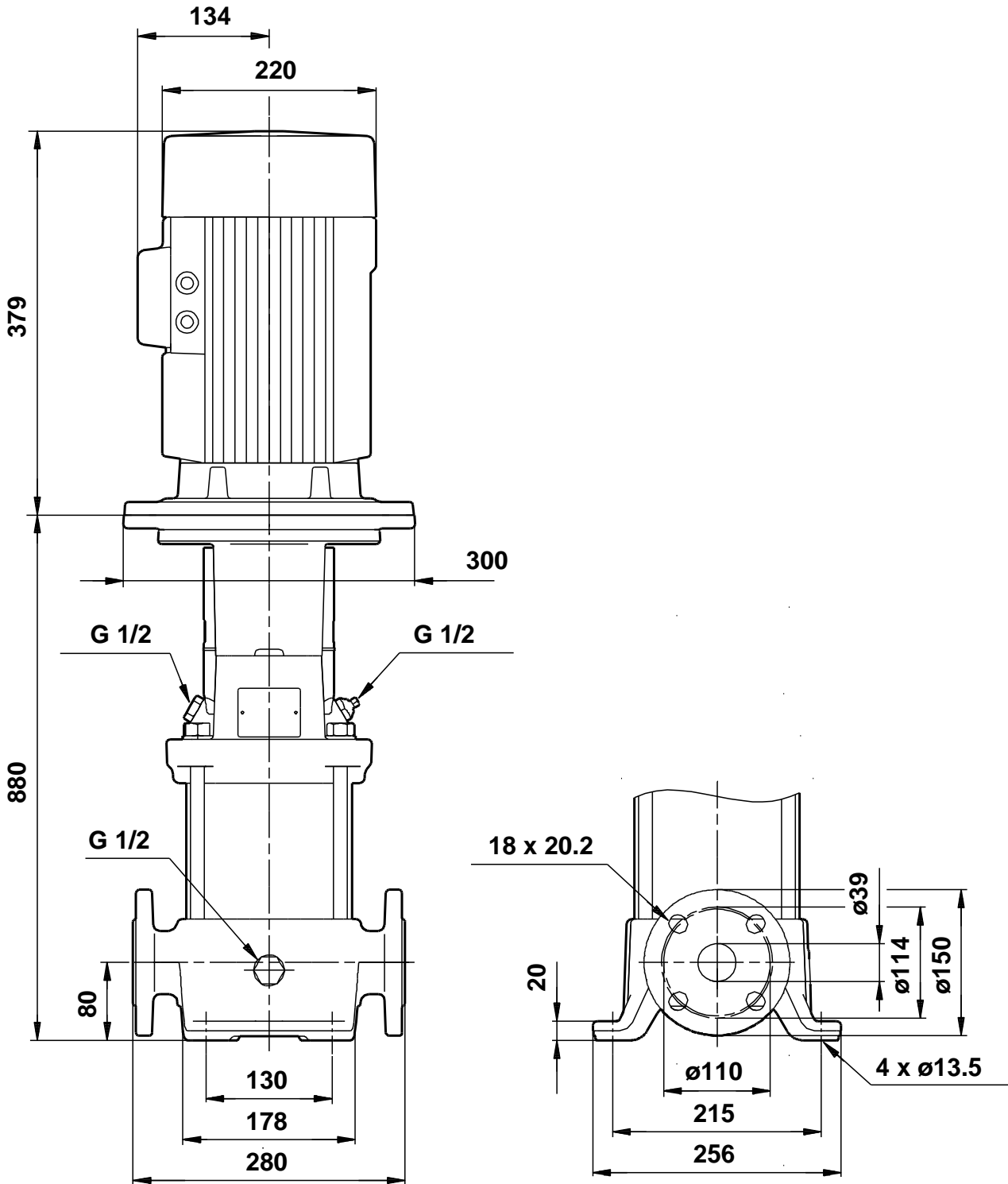
04/01/2017

Description	Value
Motor efficiency at full load:	90.1-90.4 %
Motor efficiency at 3/4 load:	90.8 %
Motor efficiency at 1/2 load:	90.8 %
Number of poles:	2
Enclosure class (IEC 34-5):	55 Dust/Jetting
Insulation class (IEC 85):	F
Motor protec:	PTC
Motor No:	85U17522

Others:

Label:	Grundfos Blueflux
Minimum efficiency index, MEI :	0.7
Net weight:	109 kg
Gross weight:	131 kg
Shipping volume:	0.43 m ³

96501223 CR 10-18 50 Hz



Note! All units are in [mm] unless others are stated.
Disclaimer: This simplified dimensional drawing does not show all details.