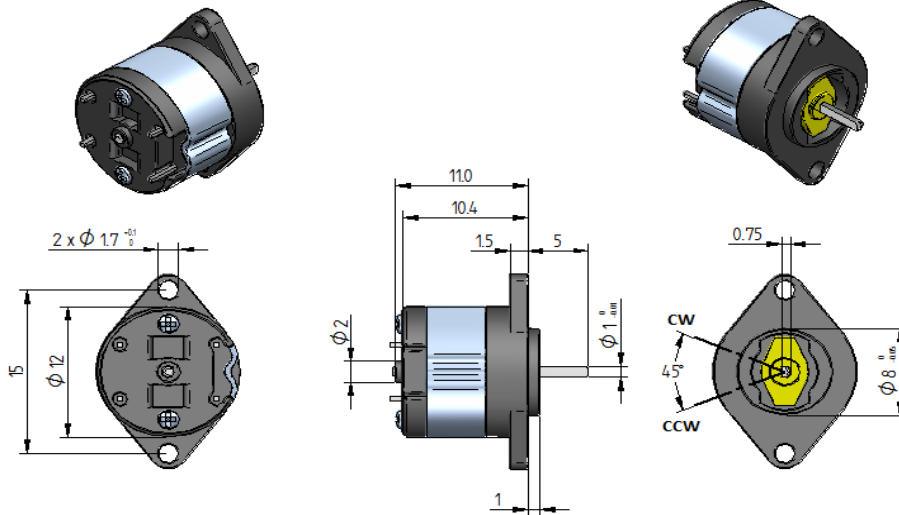
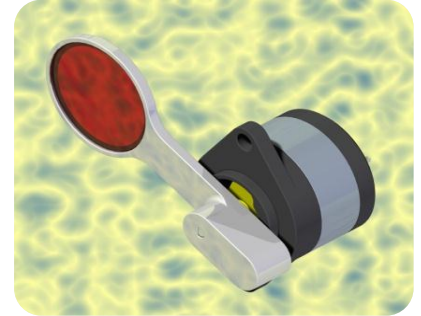




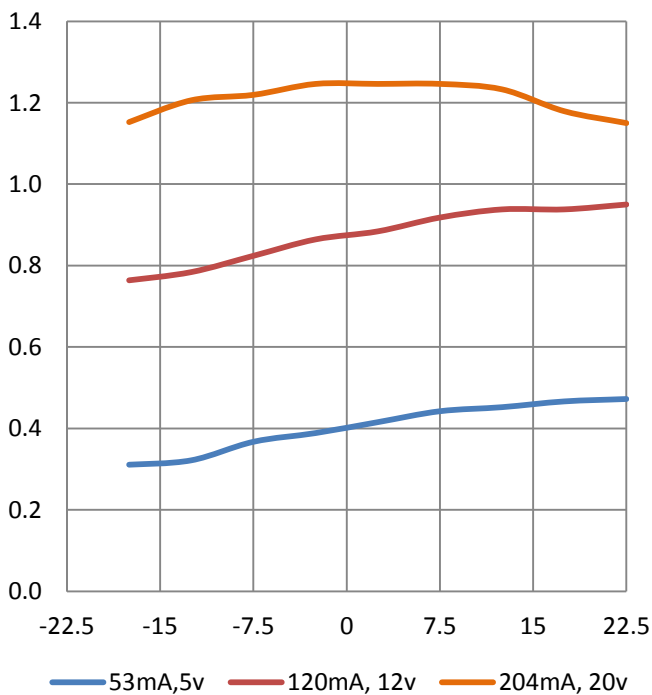
GEEPLUS

BRS1212-95

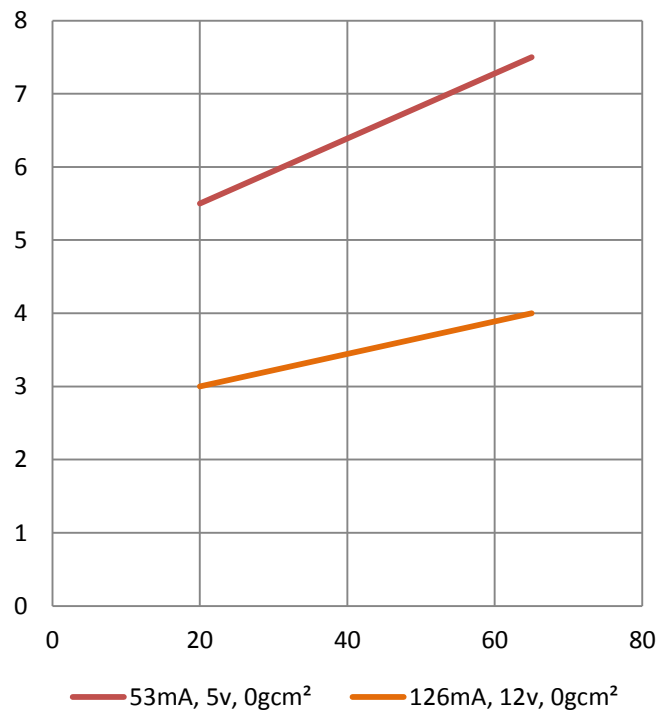
Device drawn with shaft aligned to mid position
 Nominal 95Ω parallel, 380Ω series connection
 Rotor Inertia 0.xxx gcm²
 Life Expectancy >1M cycles, no load, 40° rotation
 Mass 3.5 grammes
 Insulation Resistance >50MΩ, 500VDC Megger
 Dielectric Strength 300vAC, 50/60Hz, 1 second



Torque (mNm) vs Angle



Response (ms) vs Angle



Geeplus reserves the right to change specifications without notice

www.geeplus.biz e-mail: info@geeplus.biz