

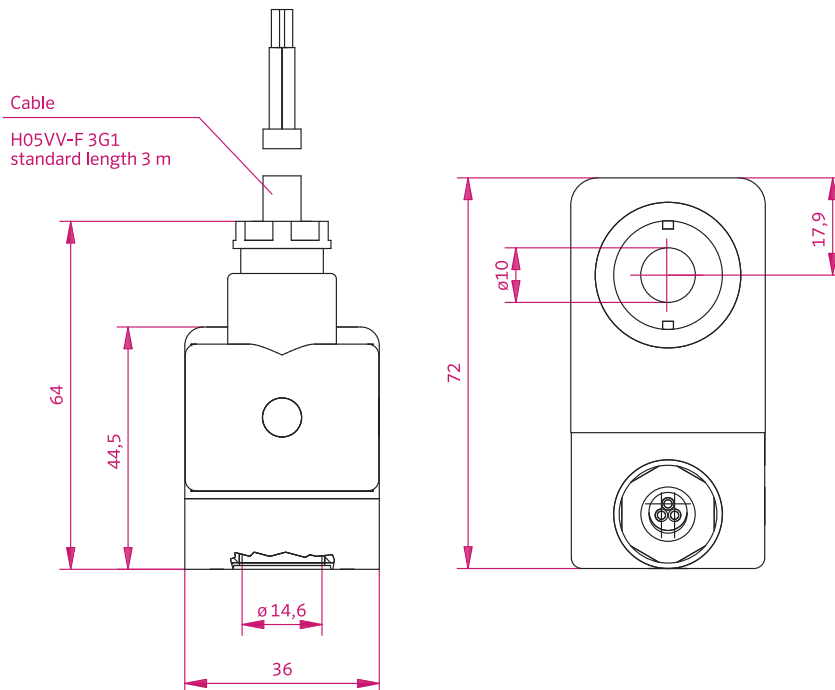


SOLENOID COIL SYSTEM 13 ATEX

Width: 36 mm
 Protection by encaps.:  II 2 G Ex mb II T6, T5, T4 Gb
 II 2 D Ex tb IIIC T80 °C, T95 °C T130 °C Db IP65
 Connection type: three-wired cable, with ferrules
 Moulding material: thermoplastic

General Data

| | |
|--------------------------------------------------------------------------|------------------------------------------------|
| Voltage tolerance | ± 10 % |
| Ambient temperature | - 20 °C to + 40 °C/+ 50 °C |
| Relative duty cycle | 100 % |
| Insulation class of insulating materials according to DIN VDE 0580 | F |
| Degree of protection | IP 65 |
| Type examination certificates | PTB 03 ATEX 2086 X, IECEx PTB 05.0005X |
| Imprint | <i>nass magnet</i> (customer imprint possible) |
| Cable length | 3 m (other cable lengths on request) |



Technical Data Standard Versions

| Part No. | Voltage | Frequency [Hz] | Power Level | Temperature Class |
|--------------|----------|----------------|-------------|-------------------|
| 113-030-0264 | 24 V DC | - | 2 | T 5 |
| 113-030-0003 | 24 V AC | - | 3 | T 4 |
| 113-030-0004 | 110 V AC | 50/60 | 3 | T 4 |
| 113-030-0002 | 230 V AC | 50/60 | 3 | T 4 |

Notes

- Please note that the power levels of System 8 and System 13 differ regarding the controllable pneumatic nominal data. A combination of solenoid coils and armature systems of the two different series is not possible.
- Additional approvals from national and international admission offices on request.
- Please refer to the manual prior to start of operation!