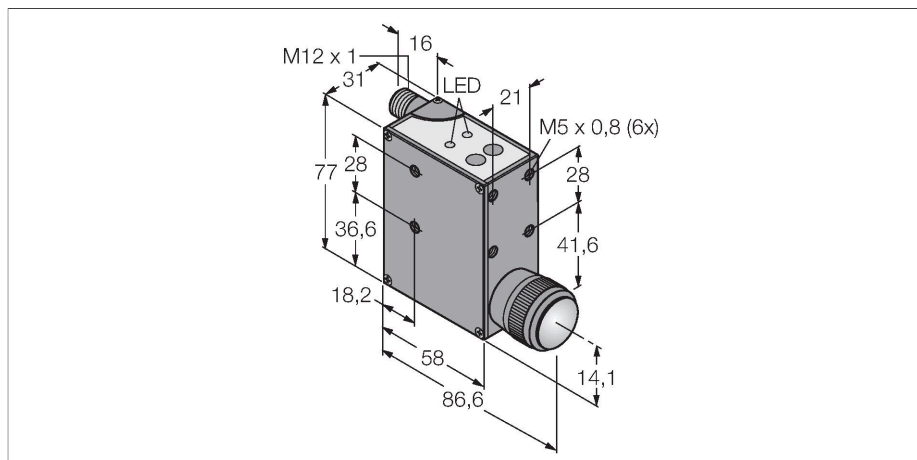


QL56M6XD15BQ

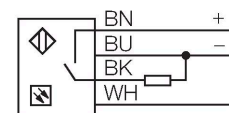
Photoelectric Sensor – Luminescence Sensor



Features

- Protection class IP67
- M12 × 1 connector rotatable by 90°
- Operating voltage 10...30 VDC
- PNP or NPN switching output
- 0...7 V analog output
- Non-volatile EEPROM memory

Wiring diagram



Technical data

Type	QL56M6XD15BQ
ID	3081326
Optical data	
Function	Inspection sensor
Operating mode	Luminescence sensor
Light type	UV
Range	20 mm
Electrical data	
Operating voltage	15...30 VDC
DC rated operational current	≤ 100 mA
No-load current	≤ 200 mA
Output function	NO contact, PNP/Analog output
Switching frequency	2 kHz
Setting option	Push Button
Mechanical data	
Design	Rectangular, QL55
Dimensions	77 x 31 x 58 mm
Housing material	Metal, AL
Lens	glass, Glass
Electrical connection	Connector, M12 × 1, PVC
Number of cores	5
Ambient temperature	-10...+55 °C
Relative humidity	0...90 %
Protection class	IP67
Special features	keep/defer
Switching state	LED, Red
Excess gain indication	LED

Functional principle

The QL55 is a user-friendly compact luminescence sensor, which emits invisible ultraviolet light via its UV emitting LED and detects the resulting visible luminescent light of the medium. Detection is enabled through conversion of the light wave length with the reflection on media which contain luminescent substrates. Due to its compact size it can be easily mounted almost everywhere. The configuration options comprise a programming mode for adjustment of the sensitivity as well as a fine tuning option for a large range of luminescence intensities and background conditions. Alongside the choice between an NPN or PNP switching output, there is also an analogue voltage output available.

Technical data

Tests/approvals

Approvals

CE
