

Flat Air Nozzles

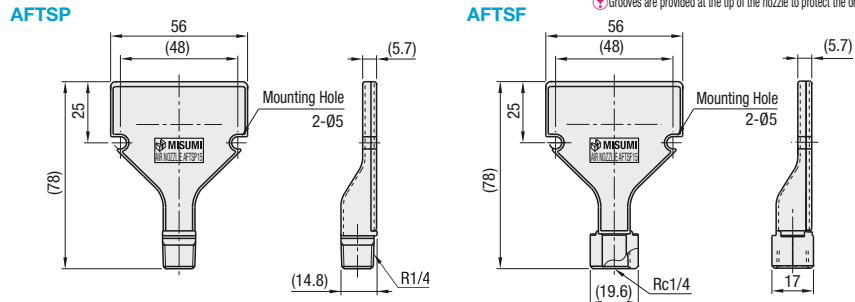
Standard

Old standard type Flat Air Nozzles (AFTP, AFTA, AFTS, AFTF) have been discontinued.

Type	Material	Max. Operating Pressure	Heat Resistance Temp.	Screw Shape	Thread Breakdown Torque
AFTSP	ABS Plastic	0.7MPa	70°C	Male Threaded	15N·m
AFTSF	ABS Plastic	0.7MPa	70°C	Tapped	10N·m

Applications: For removal of oil, water drops and chips, cooling/drying and air curtain, etc.

- To prevent damage
 - Avoid excessive tightening of screws.
 - Avoid shocks to the screws.
- Grooves are provided at the tip of the nozzle to protect the orifice.



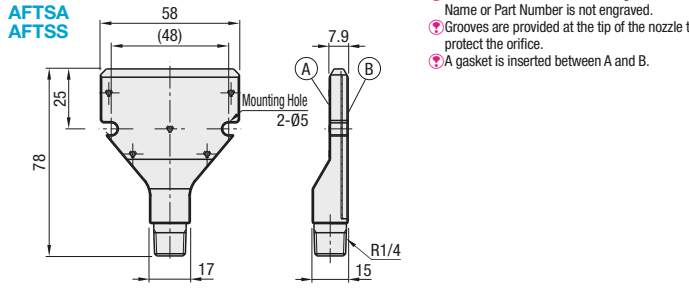
Part Number	Orifice	Air Flow Rate NL/Min (for 0.3MPa)	Weight (g)	Unit Price	Volume Discount Rate
AFTSP	10	13-□0.7	240	16.8	5-39, 40-99, 100-200
AFTSP	15	13-□0.9	260	16.5	
AFTSF	25	13-□1.2	280	16.2	
AFTSF	15	13-□0.9	240	16.5	

For orders larger than indicated quantity, please check with WOS.

Type	Material	Max. Operating Pressure	Heat Resistance Temp.
AFTSA	EN AW-5052 Equiv.	0.4MPa	200°C
AFTSS	EN 1.4301 Equiv.	0.4MPa	200°C

Applications: For removal of oil, water drops and chips, cooling/drying and air curtain, etc.

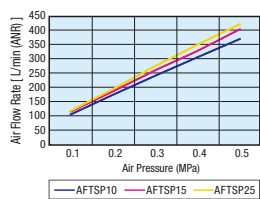
- Do not disassemble the main body.
- For AFTSA and AFTSS, MISUMI logo, Product Name or Part Number is not engraved.
- Grooves are provided at the tip of the nozzle to protect the orifice.
- A gasket is inserted between A and B.



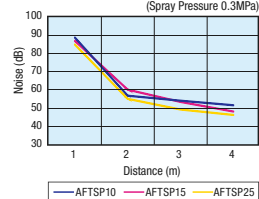
Part Number	Orifice	Air Flow Rate NL/min (for 0.3MPa)	Weight (g)	Unit Price	Volume Discount Rate
AFTSA	15	13-□0.9	60		5-9, 10-19, 20-30
AFTSS	15	13-□0.9	165		

For orders larger than indicated quantity, please check with WOS.

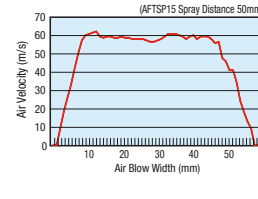
Air Flow Rate Property Table



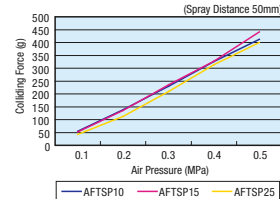
Quietness Property Table



Velocity Characteristic Table



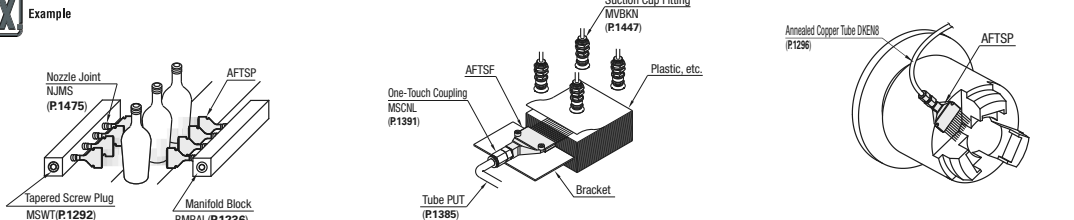
Air Colliding Force Property Table



Values on the graph are for reference, not guaranteed.



Example



- (Dry)** In-line arrangement is recommended for drying after cleaning process.
- (Static Charge Removal)** Tapped Type (AFTSF) can be directly mounted on threaded plumbing terminals (without having to use sockets).
- (Chip Removal from Chuck)** Effective for chip removal when opening machining fixtures.

Flat Air Nozzles

Wide / Compact

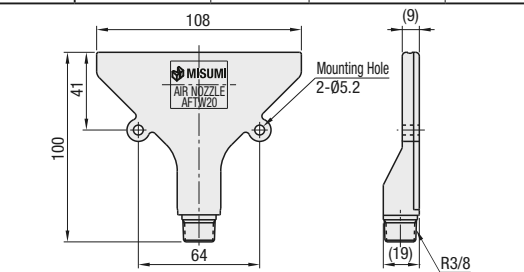
Wide Type

Type	Material	Max. Operating Pressure	Thread Breakdown Torque	Heat Resistance Temp.
AFTW	ABS Plastic	0.7MPa	10N·m	70°C

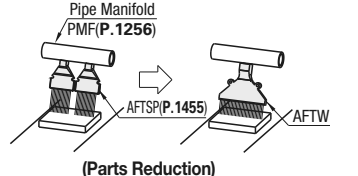
Features

Blow Port width approx. two times as wide as Standard Type (AFTSP).

- To prevent damage
 - Avoid excessive tightening of screws.
 - Avoid shocks to the screws.



Parts Reduction



Part Number	Orifice	Air Flow Rate NL/Min (for 0.3MPa)	Weight (g)	Unit Price	Volume Discount Rate
AFTW	20	32-01	290	40	5-39, 40-99, 100-200

For orders larger than indicated quantity, please check with WOS.

Ordering Example: Part Number AFTW20

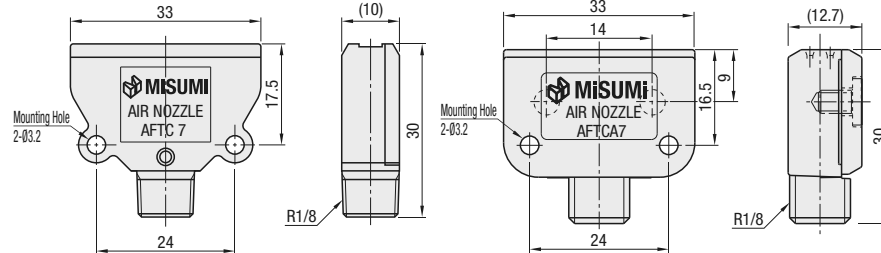
Compact

Type	Material	Surface Treatment	Max. Operating Pressure	Heat Resistance Temp.
AFTC	ABS Plastic	-	0.7MPa	70°C
AFTCA	EN AW-5052 Equiv.	Electroless Nickel Plating	0.7MPa	200°C

Features

More compact than Standard Type (AFTSP). (Width: Approx. 40%, Overall Length: Approx. 60% more compact)

- To prevent damage
 - Avoid excessive tightening of screws.
 - Avoid shocks to the screws.

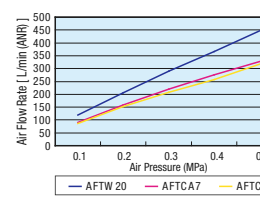


Part Number	Orifice	Air Flow Rate NL/Min (for 0.3MPa)	Weight (g)	Unit Price	Volume Discount Rate
AFTC	7	22-00.7	210	5	5-39, 40-99, 100-200
AFTCA	7	5-00.8, 6-01.0	220	17	1-4 pc(s), 5-9, 10-19, 20-30

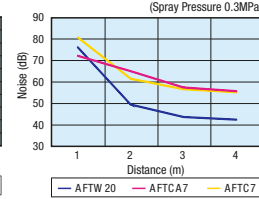
For orders larger than indicated quantity, please check with WOS.

Ordering Example: Part Number AFTC7

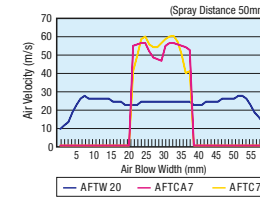
Air Flow Rate Property Table



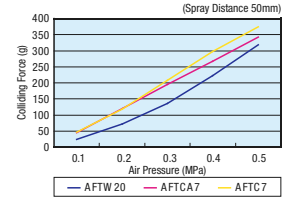
Quietness Property Table



Velocity Characteristic Table



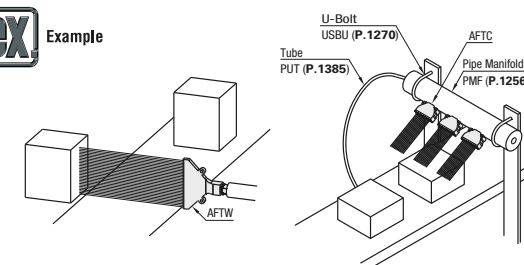
Air Colliding Force Property Table



Values on the graph are for reference, not guaranteed.



Example



Dimensional Comparison

