

**efector160**

Level sensor

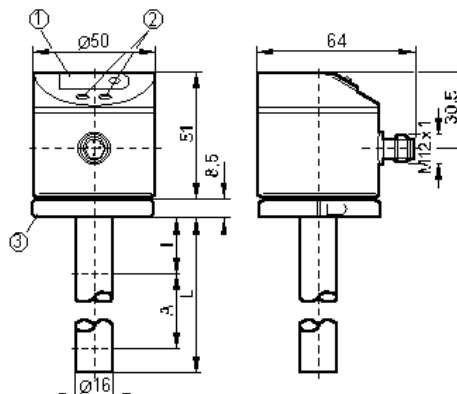
**LK7023**

Electronic level sensor LK

Probe length  
L = 472 mm

2 switch points

7-segment LED display



CE

1: 7-segment LED display, 2: Programming buttons, 3: Earthing ring

<b>Application</b>	cooling lubricant applications, hydraulic systems
<b>Electrical design</b>	DC PNP
<b>Output</b>	normally open / closed programmable
Operating voltage [V]	12 ... 30 DC
Current rating [mA]	200
Short-circuit protection	•
Reverse polarity protection / Overload protection	•
Voltage drop [V]	< 2,5
Current consumption [mA]	< 80
Active range A [mm]	390
Inactive range I [mm]	53
<b>Setting range</b>	
Switch-on point, SP [mm]	40 ... 415
Switch-off point, rP [mm]	35 ... 410
in steps of [mm]	5
Hysteresis [mm]	5
Switch point setting	Programming button
Maximum vessel pressure	only for applications without pressure *)
Maximum speed of the change of level [mm/s]	200
<b>Deviations (% of value of measuring range)</b>	
Repeatability	2
Accuracy of switch point	5

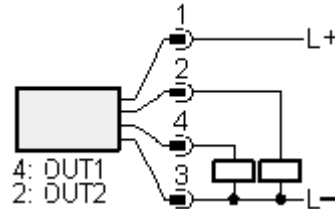
ifm electronic gmbh · Teichstraße 4 · D-45 127  
Essen

We reserve the right to make technical alterations without prior notice. — GB - LK7023 - 1/2 — 20.06.2001

**efector160****LK7023**

Function display	2 x red
Switching status LED	7-segment LED display
System pressure, function LED	
Dielectric constant medium	> 1,8
Operating temperature [°C]	0 ... +60
Medium temperature [°C]	0 ... +65
Storage temperature [°C]	-25 ... +80
Protection	IP 67, III
Shock resistance [g]	10
Vibration resistance [g]	2
EMC	EN 61000/4/2 ESD: 4/8kV EN 61000/4/3 HF radiated: 10V/m EN 61000/4/4 Burst: 2kV EN 61000/4/5 Surge: 500V/1kV EN 61000/4/6 HF conducted: 10V
Housing material	EPDM/X (Santoprene); FPM (Viton); Optalloy-plated brass; NBR (Buna N); PA; Pocan; PC (Macrolon); PP (polypropylene)
Materials (wetted parts)	PP (polypropylene)
Connection	M12 connector, gold-plated contacts

## Wiring



Remarks	*) 0,5 bar when mounted with mounting accessories E43001 - E43006
---------	-------------------------------------------------------------------

ifm electronic gmbh · Teichstraße 4 · D-45 127  
Essen

We reserve the right to make technical alterations without prior notice. — GB - LK7023 - 2/2 — 20.06.2001