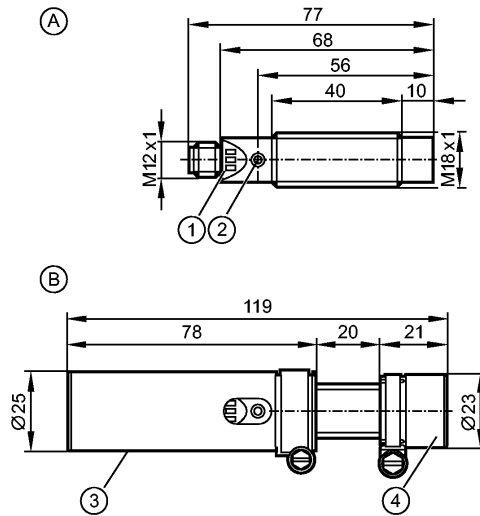


DI602A

DGA4012-WPKG/US/3D

Evaluation systems, power supplies



- A: Sensor
- B: sensor with impact protection housing
- 1: 3 LED
- 2: setting pushbutton
- 3: impact protection housing for the connector
- 4: impact protection housing for the sensor



Product characteristics

Compact speed monitor M18
DGA
Connector
ATEX approval
Group II, category 3D
Gold-plated contacts
Switching output and pulse output
Inductive sensor
Sensing range 8 mm [nf]
non-flush mountable

Application

Application	Evaluation of rotating and linear movements for speed below the preset value, blockage
Switching function	output is switched during the start-up delay and if (f actual) is greater than (f preset) *
Electrical design	DC PNP
Switching output	normally open / closed programmable

Electrical data

Nominal voltage [V]	10...36 DC
Current consumption [mA]	< 15
Reverse polarity protection	yes
Protection class	II

Outputs

Transistor	
Current rating [mA]	150 / 15 **)
Voltage drop [V]	< 2.5

DI602A

DGA4012-WPKG/US/3D

Evaluation systems, power supplies

Short-circuit protection	pulsed
Overload protection	yes

Range	
Sensing range [mm]	8
Operating distance [mm]	0...6
Correction factors	mild steel = 1 / stainless steel approx. 0.7 / brass approx. 0.5 / Al approx. 0.4 / Cu approx. 0.3

Measuring / setting range	
Setting range [pulses/min.]	3...6000
Adjustment of the switch point	Teach function
Hysteresis [% of Sp]	10
Start-up delay [s]	0...15

Reaction times	
Damping frequency (max.) [pulses/min]	18000

Environment	
Ambient temperature [°C]	-20...50, -20...60°C when used outside the ATEX area
Protection	IP 67

Tests / approvals	
Marking of the unit	Ⓔ II 3D Ex tc IIIC T80°C Dc IP67 U ***)
EMC	EN 60947-5-2

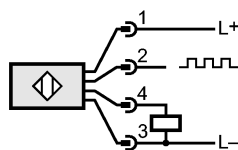
Safety classification	
MTTF [a]	1051

Mechanical data	
Mounting	non-flush mountable
Housing materials	stainless steel 316Ti / 1.4571; PBT; TPE-U
Weight [kg]	0.176

Displays / operating elements		
Operation	LED	green
Input pulses	LED	green
Output status indication	LED	yellow

Electrical connection	
Connection	M12 connector; Gold-plated contacts

Wiring



- 1: L+
- 2: pulse output (the pulse sequence corresponds to the damping frequency)
- 3: L-
- 4: switching output (adjustable)

Accessories	
Accessories (included)	2 lock nuts; impact protection housing; Mounting clamps

**DI602A**

DGA4012-WPKG/US/3D

Evaluation systems, power supplies

Remarks	
Remarks	*) factory setting **) switching output / pulse output; 250 / 15 mA when used outside the ATEX area ***) only in conjunction with the impact protective housing
Pack quantity [piece]	1