

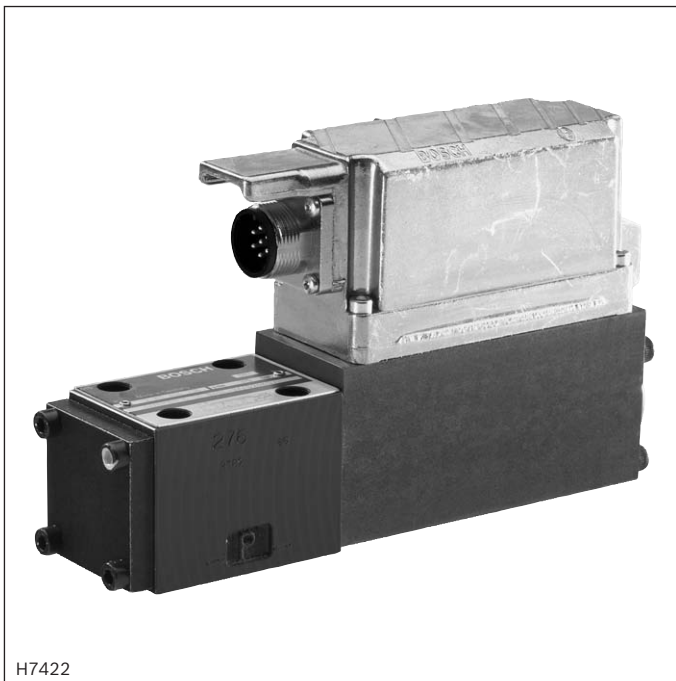
Directional control valves, direct operated,  
 with electrical position feedback and  
 integrated electronics (OBE)

Type 4WRPEH

**RE 29035**

Edition: 2015-02

Replaces: 10.10



- ▶ Size 6
- ▶ Component series 2X
- ▶ Maximum operating pressure of 315 bar
- ▶ Rated flow 2 ... 40 l/min ( $\Delta p = 70$  bar)

## Features

- ▶ 4/4-way version
- ▶ With control spool and sleeve in servo quality
- ▶ Operated on one side, 4/4-fail-safe position in switched off state
- ▶ Electric position feedback and integrated electronics (OBE), calibrated in the factory
- ▶ Electrical connection 6P+PE; signal input differential amplifier with interface "A1"  $\pm 10$ V or interface "F1" 4 ... 20 mA ( $R_{sh} = 200 \Omega$ )
- ▶ Use for electro-hydraulic controls in production and testing systems

## Contents

Features	1
Ordering codes	2
Symbols	3
Function, section	4
Technical data	5, 6
Integrated electronics	7, 8
Electrical connection	9
Characteristics	10, 11
Dimensions	12, 13
Accessories	13
Further information	13

**Ordering codes**

01	02	03	04	05	06	07	08	09	10	11	12	13	14	15			
<b>4</b>	<b>WRP</b>	<b>E</b>	<b>H</b>	<b>6</b>		<b>B</b>			<b>-</b>	<b>2X</b>	<b>/</b>	<b>G24</b>	<b>K0</b>	<b>/</b>		<b>M</b>	<b>*</b>

01	4 main ports	<b>4</b>
02	Directional control valve, direct operated	<b>WRP</b>
03	With integrated electronics	<b>E</b>
04	Control spool/sleeve	<b>H</b>
05	Size 6	<b>6</b>
06	Symbols e.g. C, C3, C5 etc; possible design see page 3	

**Installation side of the inductive position transducer**

07	Valve side B (standard) (see standard symbol 3)	<b>B</b>
----	---	----------

**Rated flow of** with 70 bar pressure differential (35 bar/control edge)

08	2 l/min (only version "L")	<b>02</b>
	4 l/min	<b>04</b>
	12 l/min (only version "L")	<b>12</b>
	15 l/min (only version "P")	<b>15</b>
	24 l/min (only version "L")	<b>24</b>
	25 l/min (only version "P")	<b>25</b>
	40 l/min	<b>40</b>

**Flow characteristics** (see symbols page 3)

09	Linear	<b>L</b>
	Inflected characteristic curve (inflection 60 % with version "15" and "25", otherwise 40 %)	<b>P</b>
10	Component series 20 ... 29 (20 ... 29: unchanged installation and connection dimensions)	<b>2X</b>

**Supply voltage of the control electronics**

11	24 V DC voltage	<b>G24</b>
----	-----------------	------------

**Electrical connection**

12	<b>Without</b> mating connector; connector DIN 43563-AM6	<b>K0</b> <sup>1)</sup>
----	--	-------------------------

**Interfaces of the control electronics**

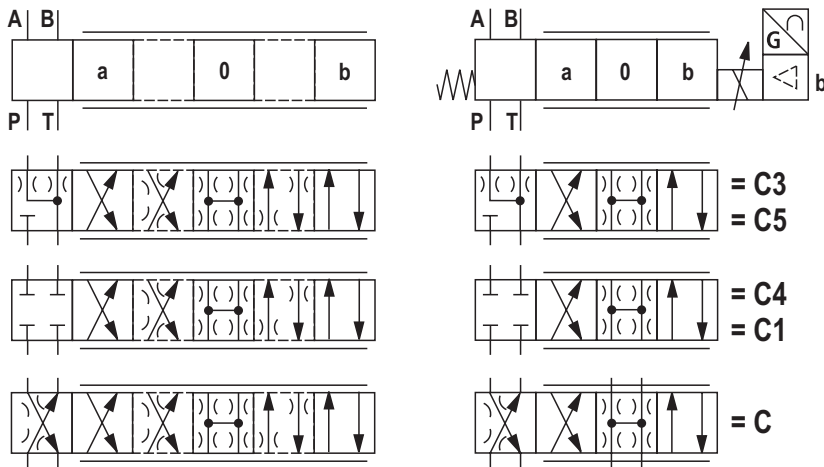
13	Command value input $\pm 10$ V	<b>A1</b>
	Command value input 4 ... 20 mA	<b>F1</b>

**Seal material**

14	NBR seals	<b>M</b>
	Observe compatibility of seals with hydraulic fluid used! (Other seals on request)	
15	Further details in plain text	<b>*</b>

<sup>1)</sup> Mating connectors, separate order, see page 13 and data sheet 08006.

### Symbols



For symbols C5 and C1: <sup>1)</sup>

P → A:  $q_{V \text{ nom}}$     B → T:  $q_{V \text{ nom}}/2$

P → B:  $q_{V \text{ nom}}/2$     A → T:  $q_{V \text{ nom}}$

<sup>1)</sup> Standard = 1:1,  $q_{V \text{ nom}}$  2:1 only with rated flow 40 l/min (version "40")

**Note:**  
Representation according to DIN ISO 1219-1.  
Hydraulic interim positions are shown by dashes.

### Flow characteristics

Symbol	Linear characteristic curve (version "L")	Inflected characteristic curve (version "P")	
		Inflection 60% ( $q_{V \text{ nom}} = 15.25 \text{ l/min}$ )	Inflection 40%
C3, C5			
C4, C1			
C			

## Function, section

### General

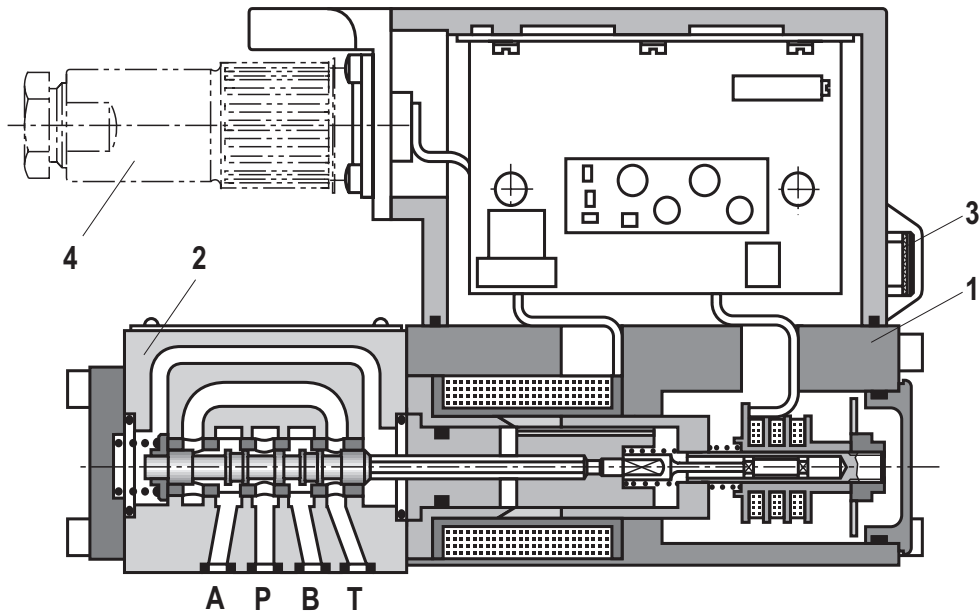
The 4WRPEH type high-response valve is a pilot-operated directional control valve with electrical position feedback and integrated electronics (OBE).

The specified command value is compared with the actual position value in the integrated electronics (OBE). In the event of a control deviation, the stroke solenoid is activated, which adjusts the control spool against the spring due to the change in the magnetic force.

Lifting/control cross-section is proportionally regulated to the command value. In case of a command value presetting of 0 V, the electronics adjusts the control spool against the spring to central position. In deactivated condition, the spring is untensioned to a maximum and the valve is in fail-safe position.

### Switch-off behavior

With the electronics switched off, the valve moves immediately into the relevant safe basic position (fail-safe). The switch position P–B/A–T is passed through during this process, which can result in movements on the controlled component. This must be taken into account in system designs.



- 1 Control solenoid with position transducer
- 2 Valve body
- 3 Connector for possible 2nd stage
- 4 Mating connector

**Technical data**

(For applications outside these values, please consult us!)

General	
Design	Spool valve, direct operated, with steel sleeve
Actuation	Proportional solenoid with position control, OBE
Connection type	Subplate mounting, porting pattern according to ISO 4401-03-02-0-05
Installation position	Any
Ambient temperature range	°C -20 ... +50
Weight	kg 2,7
Maximum vibration resistance (test condition)	% 25 g; shake test in all directions (24 h)
MTTFd-value according to EN ISO 13849	Years 150 (for further details see data sheet 08012)
Hydraulic	
Maximum operating pressure	▶ Port A, B, P bar 315
	▶ Port T bar 250
Rated flow ( $\Delta p = 35$ bar per edge <sup>1)</sup> )	l/min 2 4 12 15 24 40
Leakage flow (at 100 bar)	▶ Linear characteristic curve "L" cm <sup>3</sup> /min < 150 < 180 < 300 - < 500 < 900
	▶ Inflected characteristic curve "P" cm <sup>3</sup> /min - < 150 - < 180 < 300 < 450
Hydraulic fluid	see table on page 6
Viscosity range	▶ Recommended mm <sup>2</sup> /s 20 ... 100
	▶ Maximum admissible mm <sup>2</sup> /s 10 ... 800
Hydraulic fluid temperature range (flow through)	°C -20 ... +70
Maximum admissible degree of contamination of the hydraulic fluid, cleanliness class according to ISO 4406 (c)	Class 18/16/13 <sup>2)</sup>
Fail-safe position:	
Rated flow ( $\Delta p = 35$ bar per edge)	▶ Symbol C l/min 2 4 10 13 18 20
Leakage flow at 100 bar	▶ Symbol C3, C5 cm <sup>3</sup> /min 50 (P → A)
	cm <sup>3</sup> /min 70 (P → B)
Rated flow ( $\Delta p = 35$ bar per edge)	▶ Symbol C3, C5 l/min 10 ... 20 (A → T)
	l/min 7 ... 20 (B → T)
Leakage flow at 100 bar	▶ Symbol C4, C1 cm <sup>3</sup> /min 50 (P → A)
	cm <sup>3</sup> /min 70 (P → B)
	cm <sup>3</sup> /min 70 (A → T)
	cm <sup>3</sup> /min 50 (B → T)
Reaching the fail-safe position	▶ 0 bar ms 7
	▶ 100 bar ms 10
static / dynamic	
Hysteresis	% ≤ 0,2
Manufacturing tolerance $q_{Vmax}$	% < 10
Actuating time for signal step 0 ... 100%	ms ≤ 10
Temperature drift	Zero shift < 1% at $\Delta \theta = 40$ °C
Zero compensation	Ex factory ±1%

<sup>1)</sup> Flow with deviating  $\Delta p$ :

$$q_x = q_{Vnom} \times \sqrt{\frac{\Delta p_x}{35}}$$

<sup>2)</sup> The cleanliness classes stated for the components need to be maintained in hydraulic systems. Effective filtration prevents faults and at the same time increases the life cycle of the components.

For the selection of the filters see [www.boschrexroth.com/filter](http://www.boschrexroth.com/filter).

## Technical data

(For applications outside these values, please consult us!)

Hydraulic fluid	Classification	Suitable sealing materials	Standards	Data sheet
Mineral oils	HL, HLP, HLPD, HVLP, HVLPD	NBR, FKM	DIN 51524	90220
Bio-degradable	▶ Insoluble in water	HETG	ISO 15380	90221
		HEES		
	▶ Soluble in water	HEPG	ISO 15380	
Flame-resistant	▶ Water free	HFDU, HFDR	ISO 12922	90222
	▶ Containing water	HFC (Fuchs Hydrotherm 46M, Petrofer Ultra Safe 620)	ISO 12922	on request



### Important information on hydraulic fluids:

- ▶ There may be limitations regarding the technical valve data (temperature, pressure range, life cycle, maintenance intervals, etc.)!
- ▶ The flash point of the hydraulic fluid used must be 40 K higher than the maximum solenoid surface temperature.
- ▶ **Mineral oils:** If mineral oils and related hydrocarbons are used, data sheet 90220 must be complied with.
- ▶ **Bio-degradable:** If bio-degradable hydraulic fluids are used, data sheet 90221 must be complied with!

### ▶ Flame-resistant – not containing water:

If flame-resistant, water-free hydraulic fluids are used, data sheet 90222 must be complied with!

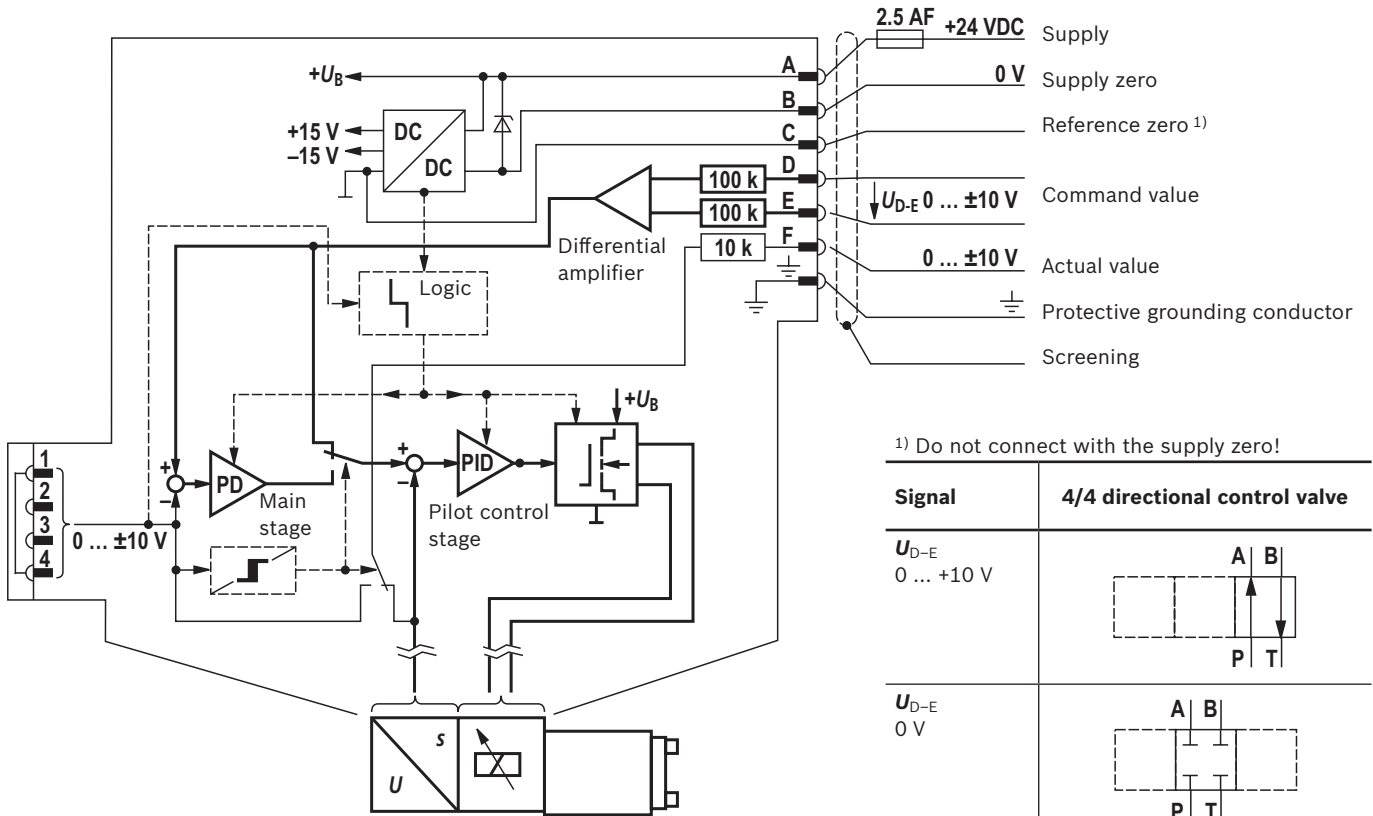
- ▶ **Flame-resistant – containing water:** The maximum pressure differential per control edge is 175 bar. Pressure pre-loading at the tank port > 20% of the pressure differential; otherwise, increased cavitation. Life cycle as compared to operation with mineral oil HL, HLP 50% to 100%.

Electrical, integrated electronics (OBE)		
Relative duty cycle	%	100 (continuous operation)
Protection class according to EN 60529		IP 65 (with mating connector mounted and locked)
Supply voltage	VDC	24
▶ Terminal A	VDC	min. 21 / max. 40
▶ Terminal B	VDC	0 (ripple max. 2)
Maximum power consumption	PI	40
Fuse protection, external	A <sub>F</sub>	2,5
Input, version "A1"		Differential amplifier, $R_i = 100 \text{ k}\Omega$
▶ Terminal D ( $U_E$ )	VDC	0 ... $\pm 10$
▶ Terminal E	VDC	0
Input, version "F1"		Load, $R_{sh} = 200 \Omega$
▶ Terminal D ( $I_{D-E}$ )	mA	4 ... (12) ... 20
▶ Terminal E ( $I_{D-E}$ )		Current loop $I_{D-E}$ return
Maximum voltage for the differential inputs compared to 0 V		D → B; E → B (max. 18 V)
Test signal, version "A1"		LVDT
▶ Terminal F ( $U_{Test}$ )	V	0 ... $\pm 10$
▶ Terminal C		Reference 0 V
Test signal, version "F1"		LVDT signal 4 ... (12) ... 20 mA on external load 200 ... 500 $\Omega$ maximum
▶ Terminal F ( $I_{F-C}$ )	mA	4 ... (12) ... 20 (output)
▶ Terminal C ( $I_{F-C}$ )		Current loop $I_{F-C}$ return
Function earth and screening		see pin assignment page 7 and 8 (CE-compliant installation)
Adjustment		calibrated before delivery, see characteristic curves page 10 and 11.
Electro-magnetic compatibility		tested in accordance with EN 61000-6-2:2005-08 and EN 61000-6-3:2007-01

### Integrated electronics: Version "A1"

#### Block diagram/pin assignment

$U_{D-E} \pm 10 V$

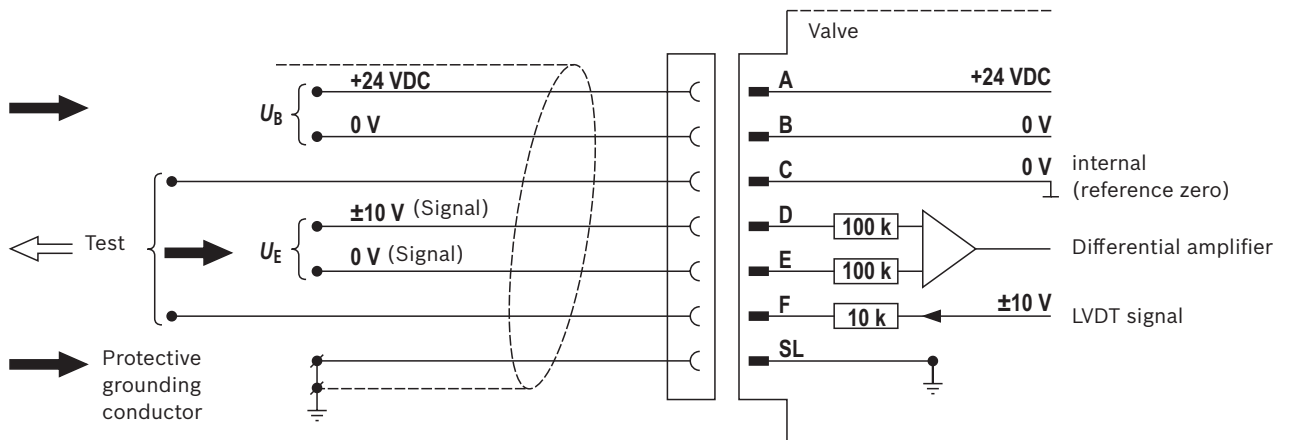


1) Do not connect with the supply zero!

Signal	4/4 directional control valve
$U_{D-E}$ 0 ... +10 V	
$U_{D-E}$ 0 V	
$U_{D-E}$ 0 ... -10 V	

#### in assignment 6P+PE

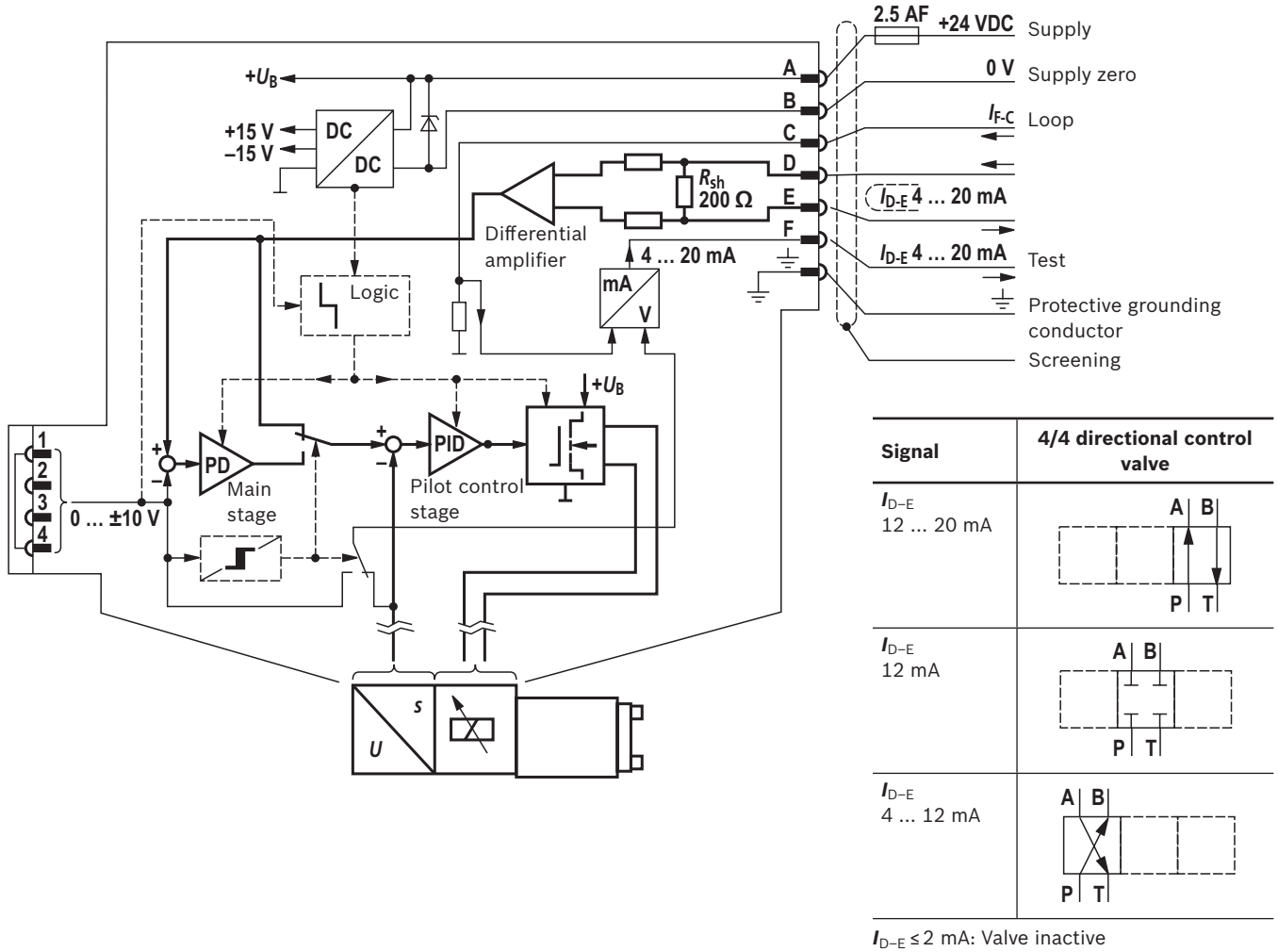
$U_{D-E} \pm 10 V (R_i = 100 k\Omega)$



### Integrated electronics: Version "F1"

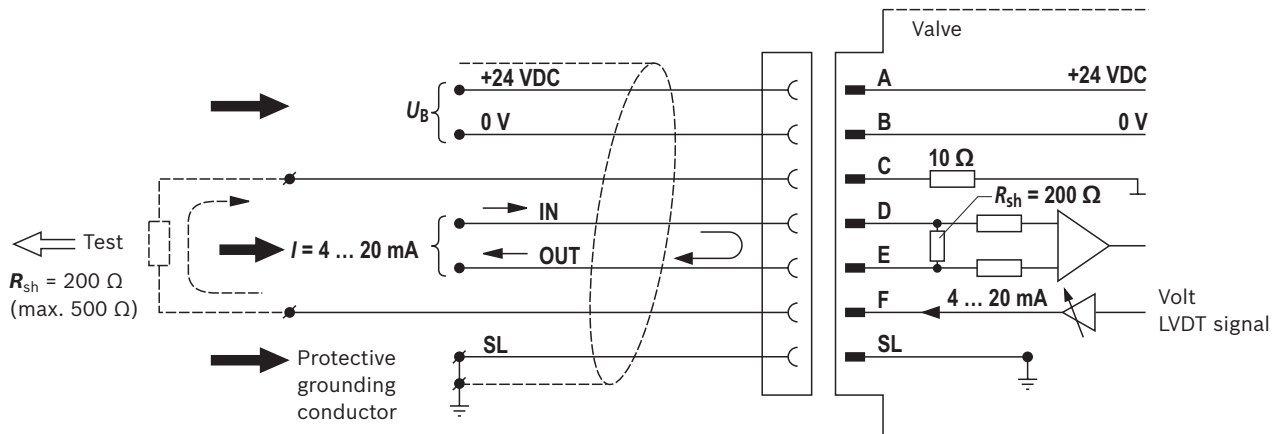
#### Block diagram/pin assignment

$I_{D-E}$  4 ... 12 ... 20 mA



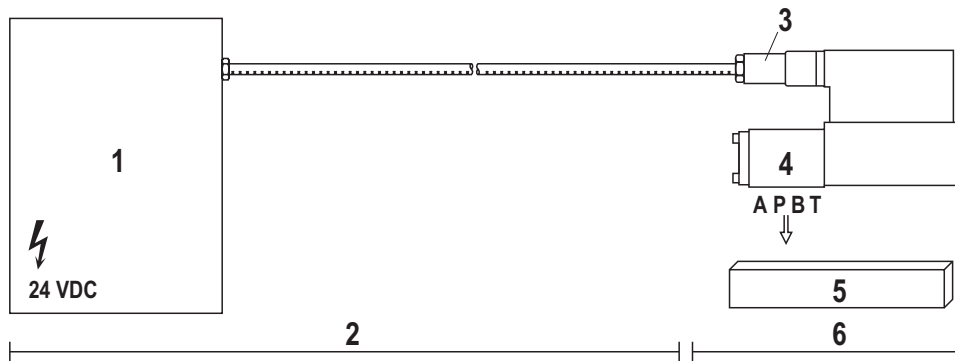
#### in assignment 6P+PE

$I_{D-E}$  4 ... 12 ... 20 mA ( $R_{sh} = 200 \Omega$ )





## Electrical connection



- 1 Control
- 2 Customer-side
- 3 Mating connector
- 4 Valve
- 5 Connection surface
- 6 Rexroth-side

For electrical data, see page 6.

### Technical data for the cable

<b>Version:</b>	<ul style="list-style-type: none"> <li>▶ Multi-wired cable</li> <li>▶ Strand construction, finest wire in accordance with VDE 0295, class 6</li> <li>▶ Protective grounding conductor, green/yellow</li> <li>▶ Cu-shielding braid</li> </ul>
<b>Type:</b>	▶ e.g. Ölflex-FD 855 CP (Lappkabel)
<b>Number of wires:</b>	▶ Is determined by the valve type, connector type and signal assignment
<b>Line Ø:</b>	<ul style="list-style-type: none"> <li>▶ 0.75 mm<sup>2</sup> ... 20 m Length</li> <li>▶ 1.0 mm<sup>2</sup> ... 40 m Length</li> </ul>
<b>Outer-Ø:</b>	<ul style="list-style-type: none"> <li>▶ 9.4 ... 11.8 mm – Pg 11</li> <li>▶ 12.7 ... 13.5 mm – Pg 16</li> </ul>

#### Notice:

Supply voltage 24 VDC<sub>nom</sub>, if the value falls below 18 VDC, a fast shut-down takes place internally, comparable with “Enable OFF”. Also with version “F1”:

$I_{D-E} \geq 3 \text{ mA}$  – valve is active

$I_{D-E} \leq 2 \text{ mA}$  – Valve is deactivated.

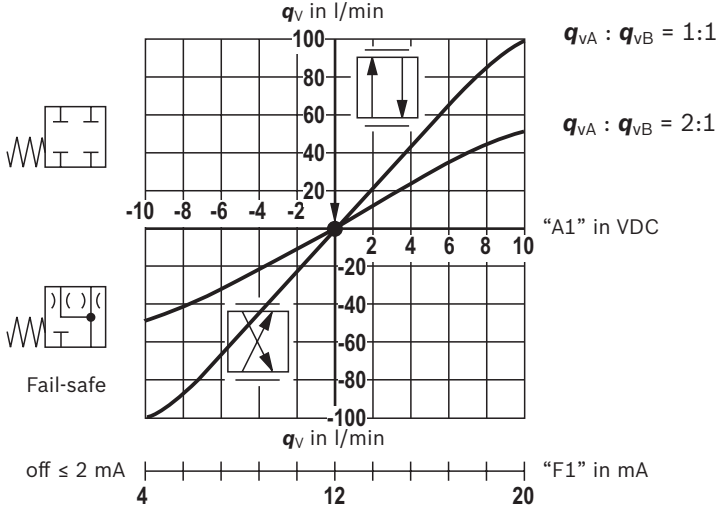
Electric signals taken out via control electronics (e.g. actual value) must not be used for switching off safety-relevant machine functions!

(see also the European standard “Safety requirements for fluid power systems and their components – Hydraulics”, EN ISO 982)

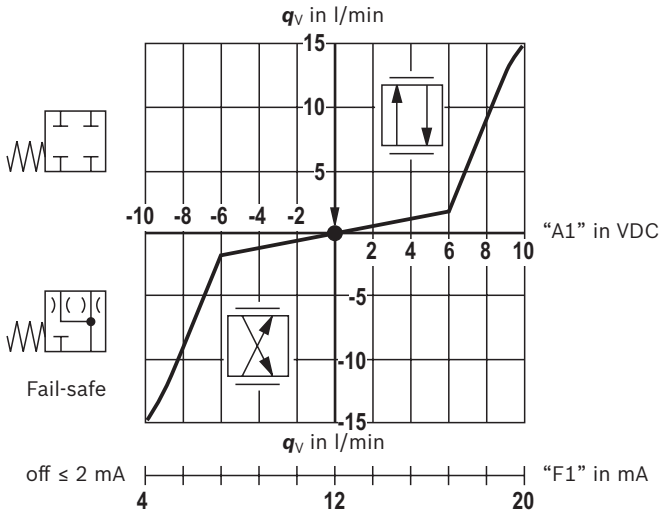
**Characteristic curves:** Characteristic curves  
(measured with HLP46,  $\vartheta_{oil} = 40 \pm 5 \text{ } ^\circ\text{C}$ )

**Flow - signal function**  $q_v = f(U_{D-E})$ ,  $q_v = f(I_{D-E})$

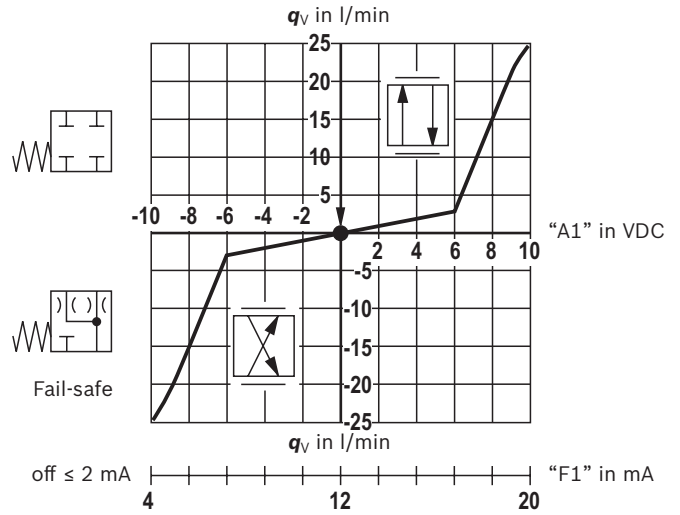
**Linear characteristic curve** (version "L")



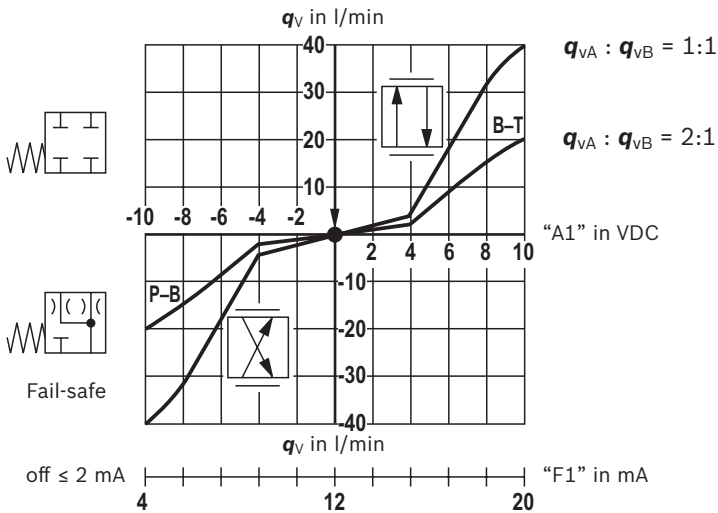
**Inflected characteristic curve "P", inflection at 60%; 15 l/min**



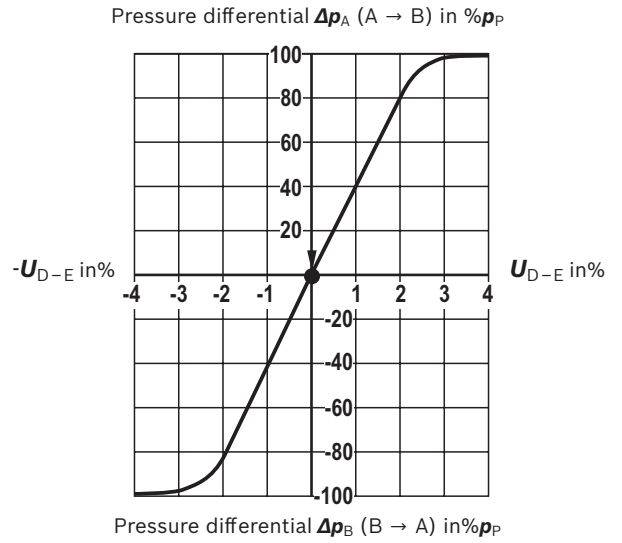
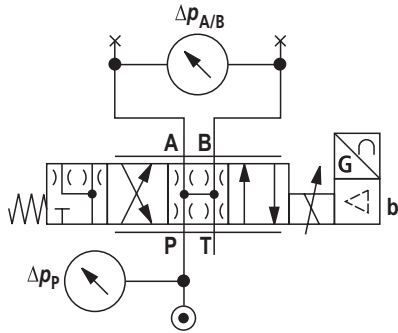
**Inflected characteristic curve "P", inflection at 60%; 25 l/min**



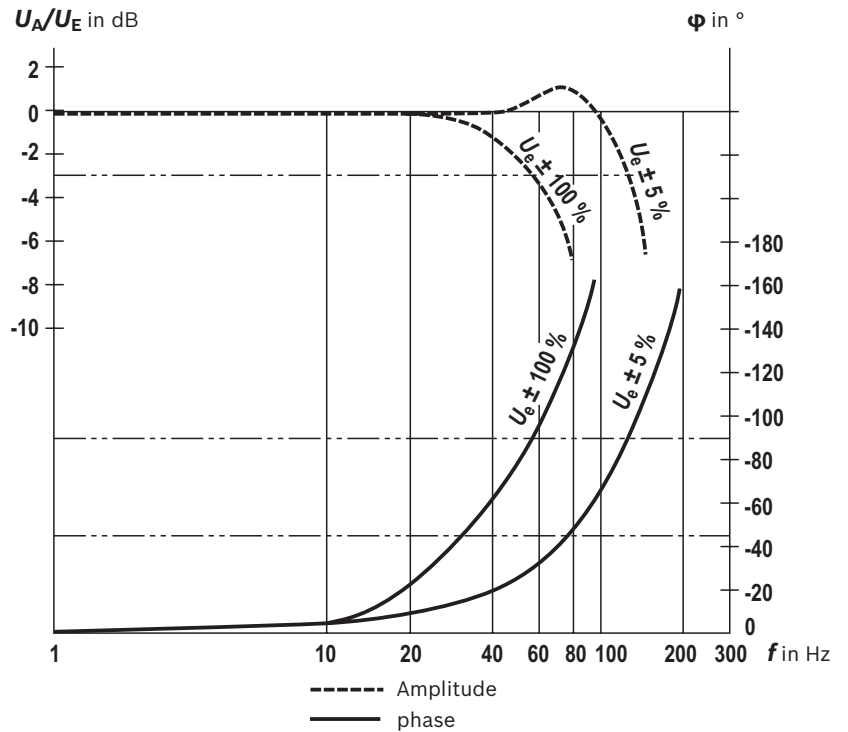
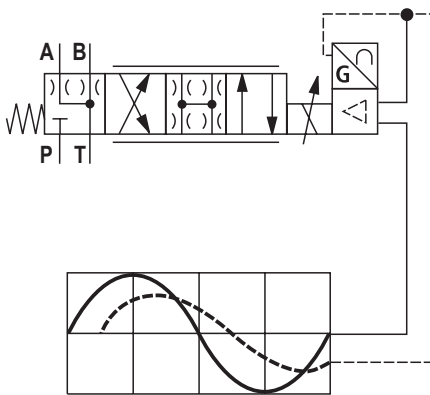
**Inflected characteristic curve "P", inflection at 40%**



**Characteristic curves: Pressure amplification**  
(measured with HLP46,  $\vartheta_{oil} = 40 \pm 5 \text{ }^\circ\text{C}$ )

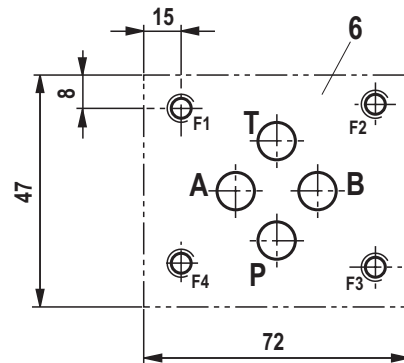
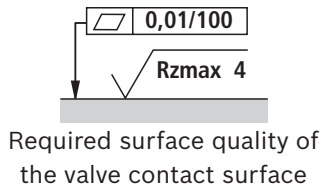
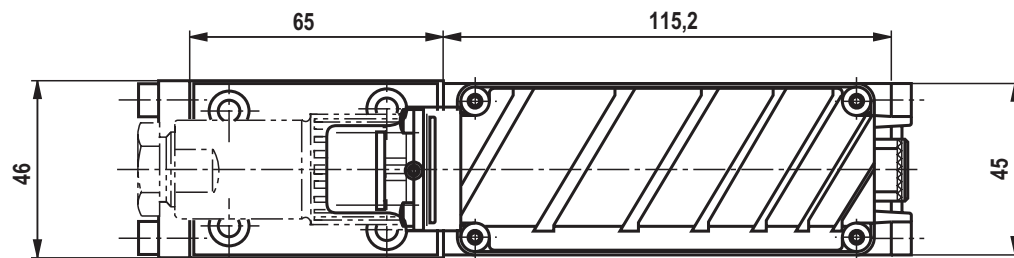
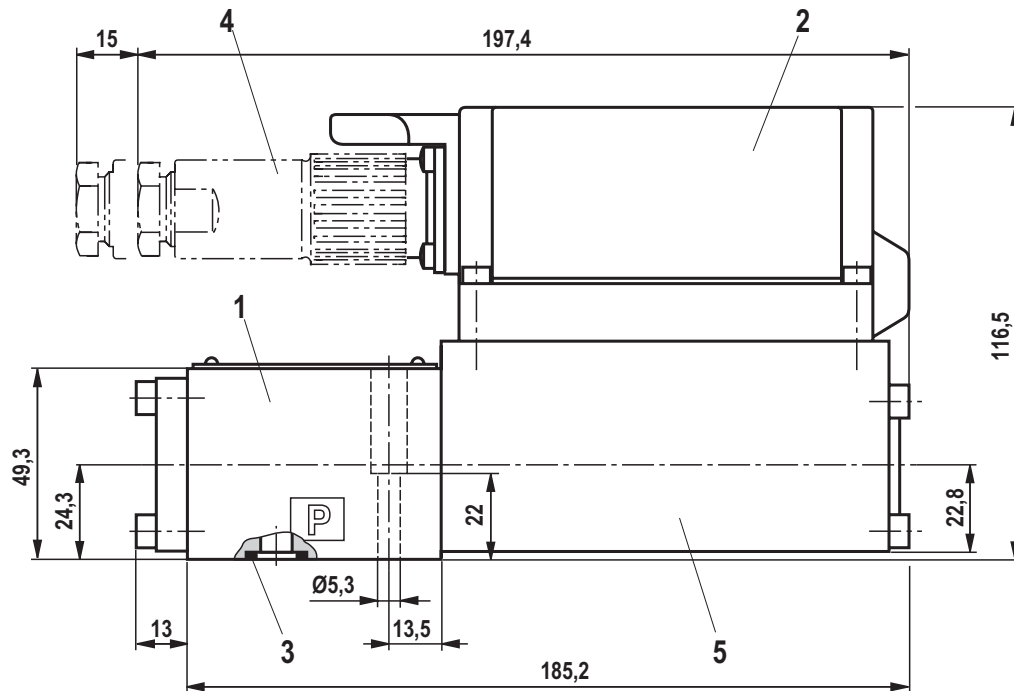


**Characteristic curves: Bode diagram**  
(measured with HLP46,  $\vartheta_{oil} = 40 \pm 5 \text{ }^\circ\text{C}$ )



## Dimensions

(dimensions in mm)



- 1 Valve housing
- 2 Integrated electronics (OBE)
- 3 Identical seal rings for ports P, A, B, T
- 4 Mating connectors (separate order, see page 13 and data sheet 08006)
- 5 Control solenoid with position transducer
- 6 Machined valve contact surface, porting pattern according to ISO 4401-03-02-0-05  
Deviating from the standard:  
ports P, A, B, T  $\varnothing$  8 mm  
Minimum screw-in depth: Ferrous metal 1.5x $\varnothing$ ,  
non-ferrous 2x $\varnothing$

**Valve mounting screws and subplates** see page 13.

## Dimensions

### Valve mounting screws (separate order)

4 hexagon socket head cap screws	Material number
ISO 4762 - M5 x 30 - 10.9-flZn-240h-L Tightening torque $M_A = 7 \text{ Nm} \pm 10\%$	R913000316
ISO 4762 - M5 x 30 - 10.9 Tightening torque $M_A = 8.9 \text{ Nm} \pm 10\%$	Not in the Rexroth product range


**Note:**

The tightening torque of the hexagon socket-head screws refers to the maximum operating pressure.

### Subplates (separate ordering)

Size	Data sheet	Material number
6	45052	-

### Accessories (separate order)

		Data sheet	Material number
<b>Mating connectors</b>	For valves with round connectors in accordance with EN 175201-804, 6-pin + PE and 6-pin, compatible with VG 95328	08006	e.g. R900021267 (plastic) e.g. R900223890 (metal)
<b>Test and service devices</b>	Service case with test device for proportional valves with integrated electronics (OBE)	29685	-
<b>Measuring adapter</b>	6P+PE, type VT-PA-2	30068	0811405163

## Further information

- ▶ Subplates Datasheet 45052
- ▶ Mineral oil-based hydraulic fluids Datasheet 90220
- ▶ Environmentally compatible hydraulic fluids Datasheet 90221
- ▶ Flame-resistant, water-free hydraulic fluids Datasheet 90222
- ▶ Reliability characteristics according to EN ISO 13849 Datasheet 08012
- ▶ General product information on hydraulic products Datasheet 07008
- ▶ Installation, commissioning and maintenance of servo valves and high-response valves Datasheet 07700
- ▶ Hydraulic valves for industrial applications Data sheet 07600-B
- ▶ Assembly, commissioning and maintenance of hydraulic systems Datasheet 07900
- ▶ Filter range [www.boschrexroth.com/filter](http://www.boschrexroth.com/filter)

## Notes

Bosch Rexroth AG  
Hydraulics  
Zum Eisengiesser 1  
97816 Lohr am Main, Germany  
Phone +49 (0) 93 52/18-0  
documentation@boschrexroth.de  
www.boschrexroth.de

© All rights for this document, are the property of Bosch Rexroth AG, including registrations of industrial property rights. It may not be reproduced or transferred to third parties without our consent.

The data specified only serve to describe the product. No conclusions concerning a certain condition or suitability for a certain application can be derived from our information. The information provided does not release the user from the obligation to exercise their own judgment and verification.

It must be remembered that our products are subject to a natural process of wear and aging.

## Notes

Bosch Rexroth AG  
Hydraulics  
Zum Eisengiesser 1  
97816 Lohr am Main, Germany  
Phone +49 (0) 93 52/18-0  
documentation@boschrexroth.de  
www.boschrexroth.de

© All rights for this document, are the property of Bosch Rexroth AG, including registrations of industrial property rights. It may not be reproduced or transferred to third parties without our consent.  
The data specified only serve to describe the product. No conclusions concerning a certain condition or suitability for a certain application can be derived from our information. The information provided does not release the user from the obligation to exercise their own judgment and verification.  
It must be remembered that our products are subject to a natural process of wear and aging.

## Notes

Bosch Rexroth AG  
Hydraulics  
Zum Eisengiesser 1  
97816 Lohr am Main, Germany  
Phone +49 (0) 93 52/18-0  
documentation@boschrexroth.de  
www.boschrexroth.de

© All rights for this document, are the property of Bosch Rexroth AG, including registrations of industrial property rights. It may not be reproduced or transferred to third parties without our consent.

The data specified only serve to describe the product. No conclusions concerning a certain condition or suitability for a certain application can be derived from our information. The information provided does not release the user from the obligation to exercise their own judgment and verification.

It must be remembered that our products are subject to a natural process of wear and aging.