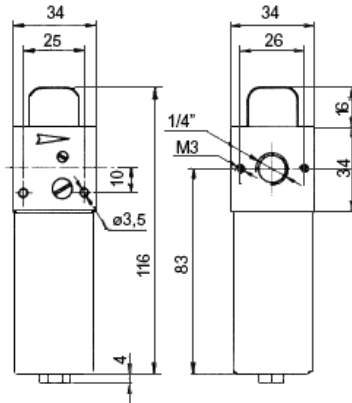


## LUBRICATOR



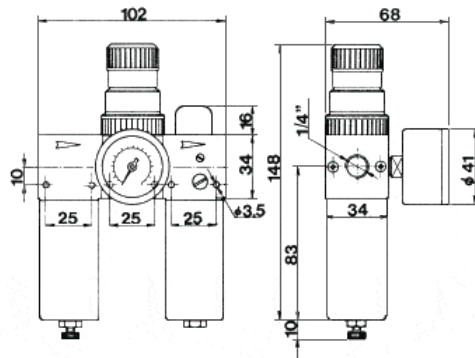
### TECHNICAL FEATURES

Flow rate at 6 bar	650 NI/min
Max input pressure	12 bar
Weight XL8 - XL4	150 g
Screws for wall fixing	M3x40

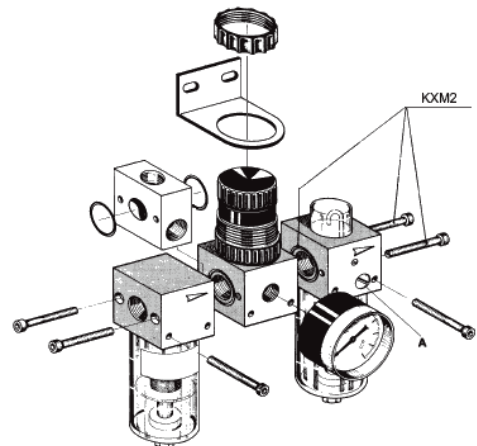
### TECHNICAL DATA

Size	G 1/8"	G 1/4"
Cap capacity	13 cm <sup>3</sup>	
Model	XL 8	XL 4

## FILTER + REGULATOR + LUBRICATOR



### ASSEMBLY PROCEDURES



### TECHNICAL FEATURES

Flow rate at 6 bar	400 NI/min
Weight XFRL 8 - XFRL 4	435 g

### TECHNICAL DATA

Size	G 1/8"	G 1/4"
Adjusting range	0,7 - 12 bar	
Version	Manual exhaust	
Filter element	20 µm	
Model	XFRL 8	XFRL 4
Adjusting range 0,1 - 3,5 bar	S	
Manual exhaust (filter element 5 µm)	X	

