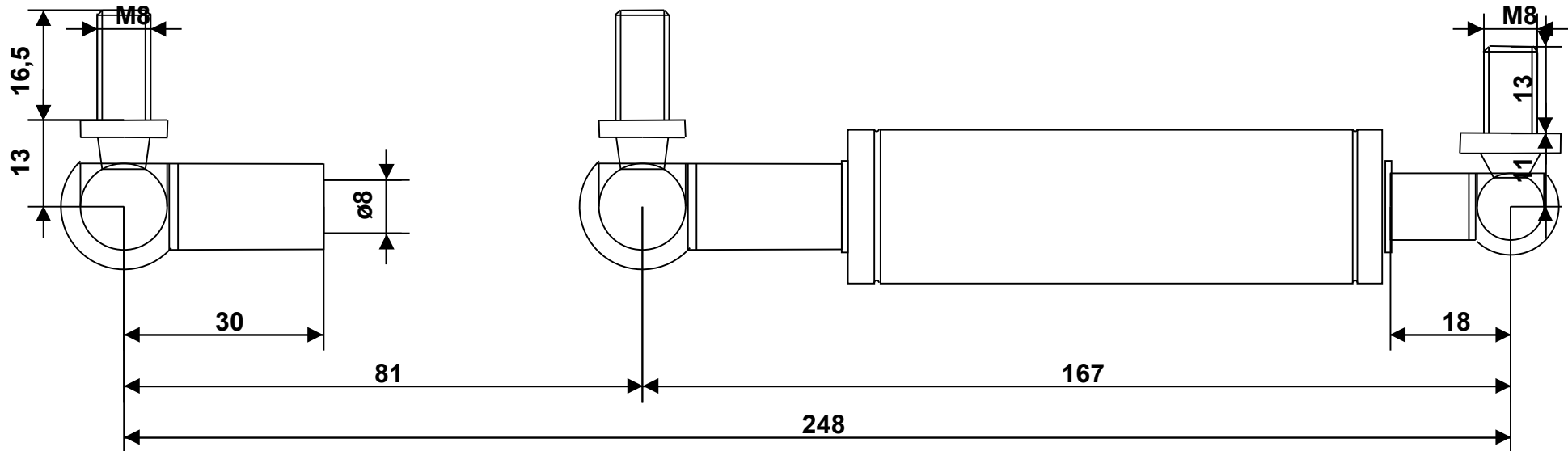


Hahn Part Number: D08-23ST#00824
 D 08 23 0080 1 0248 WG30 WG18 00000N /Si



Intended for internal use and customer / Tolerance of ext. length: +/- 2mm - Dimensions without tolerance: per DIN ISO 2768-1 -c (ISO 2768 -c) - For Information Only
 Force tolerance: F1 >= 1000N: +/- 5%; < 1000N: +/- 10%, min.: +/- 10N, max.: +/- 50N - Unregistered Copy, Print-out or file not subject to modification service.
 End fitting orientation is random and not represented by drawing unless specified - Observe disposal instructions - Not true to scale



Please note our technical instructions

Assembly/storing with piston rod down

19. Mar 2020

Auto-Printservice

No opening-no heating-high pressure

Made in Germany

Part

Dimension

Material / Surface

Fitting

Progr.:0,00 %

Drawing owned by Hahn Gasfedern GmbH

Piston rod

Ø8mm

steel, chrome plated

WG30 M8 CS13 * ANS/M08/WIG/001

info@hahn-gasfedern.de

Cylinder

Ø23mm

Stahl,black

WG18 M8 CS10 * ANS/M08/WIG/005

www.hahn-gasfedern.de

Configuration ID : 10048352-