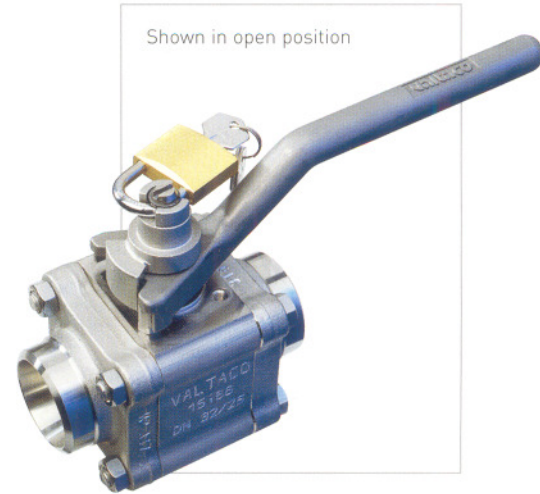
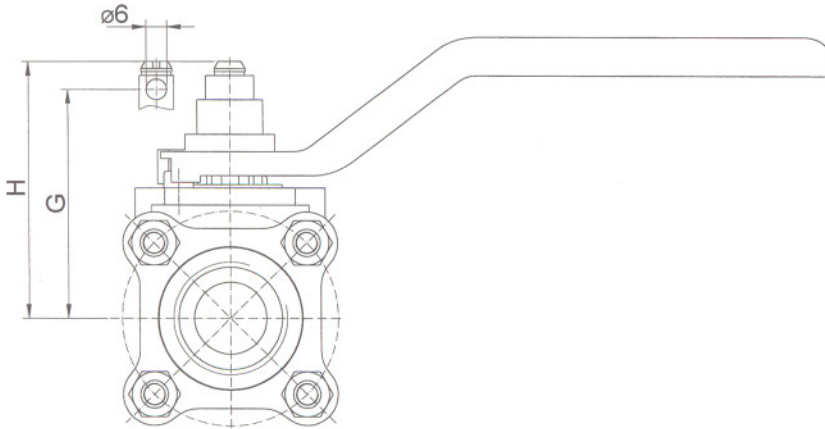


## Locking device 15i

Stainless steel operating lock for open or closed positions



Shown in open position

### Abmessungen

DN	NPS	G	H
15/10/8	1/2" / 3/8" / 1/4"	57	66
20/15	3/4" / 1/2"	60	69
25/20	1" / 3/4"	67	75
32/25	1 1/4" / 1"	74	82
40/32	1 1/2" / 1 1/4"	89	97
50/40	2" / 1 1/2"	94	102

### Easy assembly:

- Remove hand lever nut
- Screw on the locking unit

## Oval handle 15i DN 8-50

Acid-resistant steel oval handle

DN	NPS	A	B	C	D
15/10/8	1/2" / 3/8" / 1/4"	150	52	83	80
20/15	3/4" / 1/2"	150	52	86	80
25/20	1" / 3/4"	160	63	105	90
32/25	1 1/4" / 1"	168	65	112	93
40/32	1 1/2" / 1 1/4"	120	86	141	126
50/40	2" / 1 1/2"	230	86	146	126

