

Configurator ERV Rubber Expansion Joints

Part Number: ERV-CR 300.ASA 150 / 10



<http://ervconfigurator.elaflex.de/ERV-CR/300MM/L130MM/.ASA%20150/STANDARD/.10/STANDARD/STANDARD/STANDARD/STANDARD/Product11.html>

Bellows

ERV-CR

The economical option

CR Expansion Joints for cold and warm water, swimming pool water, sea water, waste water (weakly sour or alkaline) also oil containing, cooling water with protective oils against corrosion, lubricating oil, grease and air, compressed air. Temperature (depending on medium) -25° C up to +90° C, temporarily up to +100° C. Electrically non-conductive.

Not suitable for drinking water, acids, alkalis, chemicals, heating oil, diesel, gasoline and jet fuel, petroleum, solvents, other hydrocarbons and hot compressed air.

Cover: Chloroprene CR

Reinforcement: PA textile cord

Liner: Chloroprene CR, seamless, abrasion resistant

Marking: White imprint 'CR', ERV DN .., PN .., production date

Size DN

DN 300 mm / 12"

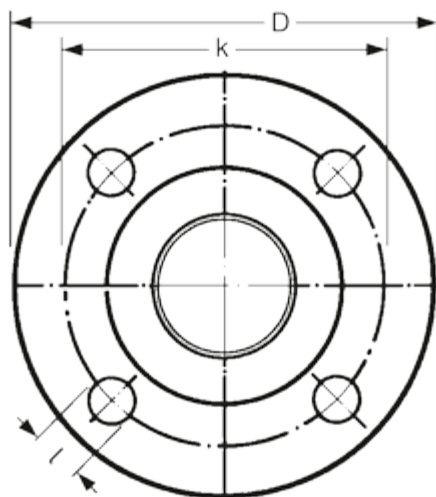
Length

BL 130 mm

Flange 1

ANSI B 16.5 150 lb/sq. in. (ASA 150)

Dimension: D: 482,6 mm, 119", k: 431,8 mm, 17", 12 holes, l: 25,4 mm

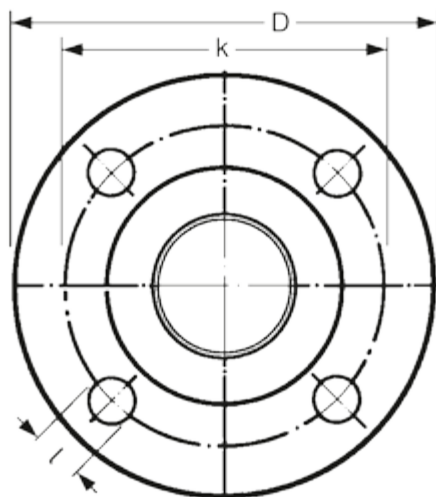


Material 1
Flange 2

Zinc Plated Steel S235 JRG2 (Standard)

DIN PN 10

Dimension: D: 445 mm, k: 400 mm, 12 holes, l: 22 mm



Material 2

Zinc Plated Steel S235 JRG2 (Standard)

Limiters

Without limiter

Accessories

No further accessories

Flame Protection

Without flame protection

Permissible Vacuum [mbar] for Type ERV-CR

DN	25	32	40	50	65	80	100	125	150	200	250	300	350	400	450	500	600	700	800	900	1000	
no VSD / VSR	max.	max.	max.	max.	-700	-600	-400	-300	-300	-300	-200	-100										
with VSD				max.	max.	max.	max.	max.	max.	-600	-400	-200										
with VSR								max.	max.	max.	max.	max.	max.	max.			-700	-700				
with VSRV												max.	max.				max.	max.	max.	-700	-700	
with TAS				max.	max.	max.	max.	max.	max.	-600	-400	-200										
with TA													Nicht geeignet für Vakuum.									

Data measured at room temperature with new expansion joints in standard length and non swelling media. For swelling media use a safety factor.

A compressed installation improves the in the table listed vacuum resistance. The maximum permissible elongation (L max.) reduces the vacuum resistance by 50%.

For this case we recommend to use vacuum support spirals or vacuum support rings (see catalogue page 468). Dependencies of overpressure, range of movement and temperature please see table on catalogue page 404.

Contact:

ELAFLEX

Schnackenburgallee 121

22525 Hamburg (Eidelstedt)

Telefon: +49 40 540 00 50

Telefax: +49 40 540 00 567

E-Mail: info@elaflex.de

Internet: <http://www.elaflex.de/en/>