



Solenoid valve 2/2 way N.C. With pilot control

21WA3K0B130

÷

21WA4K0B130

PRESENTATION:

S.V. with pilot control for interception of fluids compatible with the construction materials.

A minimum operational pressure of 0,2 bar is required.

The materials used and the tests carried out ensure maximum reliability and duration.

USE: Automation
Heating

PIPES: G 3/8 - G 1/2

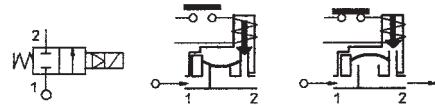
COILS: 8W - Ø 13
 BDA -BDS - BSA 155°C (class F)
 BDP 160°C (high temperature)
 BDF 180°C (class H)
 SDH 180°C (class H)

Max. allowable pressure (PS) 20 bar
 Environment temperature:
 with class **F** or high temperature coils - 10°C + 60°C
 with class **H** coil - 10°C + 80°C



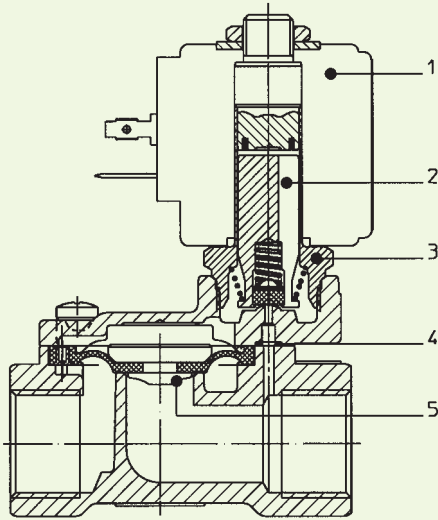
Gaskets	Temperature		Medium
B =NBR (nitrile rubber)	- 10°C	+ 90°C	Air, inert gas, water
V =FKM (fluoroelastomer)	- 10°C	+140°C	mineral oils (2°E),gasoline gas oil

For seals other than NBR replace the letter "**B**" with the ones corresponding to the other seals. E.I. 21WA3K0V130.



Pipe ISO 228/1	Code	Max viscosity		Ø mm	Kv (l/mn)	Power (watt)	Pressure		
		cSt	°E				min bar	M.O.P.D. AC bar DC bar	
G 3/8	21WA3KOV130	12	~ 2	13	60	8	0,2	16	16
G 1/2	21WA4KOV130				70				

The "ODE " reserves the right to carry out technical and aesthetic modifications without prior notification.



MATERIALS:

Body Brass - UNI EN 12165 CW617N
Armature tube Stainless steel AISI series 300
Fixed core Stainless steel AISI series 400
Plunger Stainless steel AISI series 400
Phase displacement ring Copper - Cu 99,9%
Spring Stainless steel AISI series 300
Seal Standard: B=NBR
 On request: V=FKM
Orifice Brass - UNI EN 12165 CW617N

On request:

Connector Pg 9 or Pg 11
Connector conformity ISO 4400

FEATURES:

Electrical conformity IEC 335
Protection degree IP 65 EN 60529 (DIN 40050)
 with coil fitted by connector.

SPARE PARTS:

- 1. Coil:**
See coils list
- 2. Complete plunger:**
Code R450886/B
- 3. Complete armature tube:**
Code R450606
- 4. Gasket O-Ring:**
Code R990300/B
- 5. Complete diaphragm:**
Code R452186/B

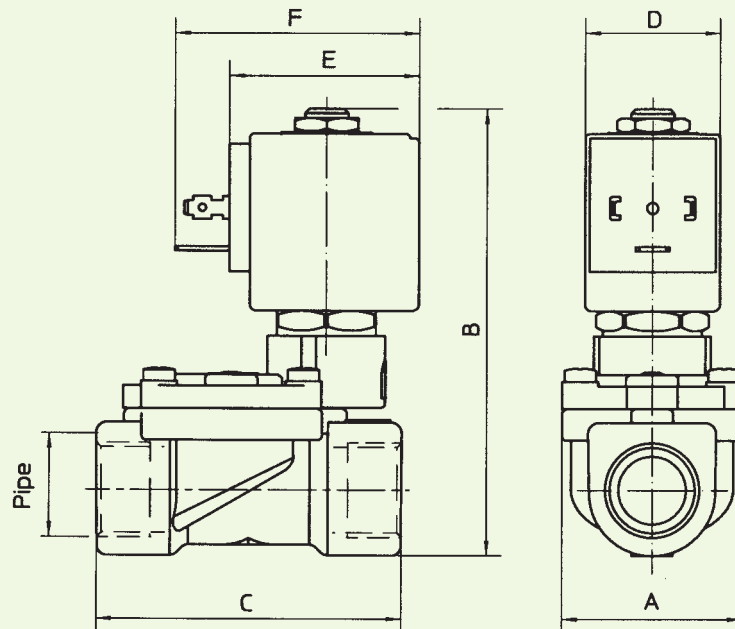
KIT:

KT130K**B**30-A=**2+3**

MAINTENANCE KIT:

KTGWA3K0**B**13=**2+4+5**

DIMENSIONS:



Type	Pipe ISO 228/1	A mm	B mm	C mm
21WA3K0 B 130	G 3/8	40	97	60
21WA4K0 B 130	G 1/2			66

COIL W ---	POWER ABSORPTION		TYPE	DIMENSIONS		
	Inrush VA~	Hold VA~		D mm	E mm	F mm
8 W	25	14,5	B	30	42	54
			S	32		