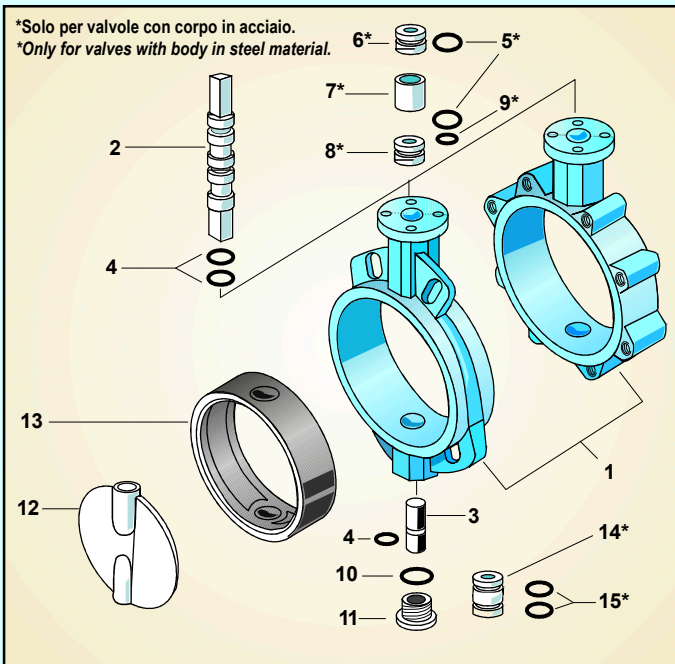
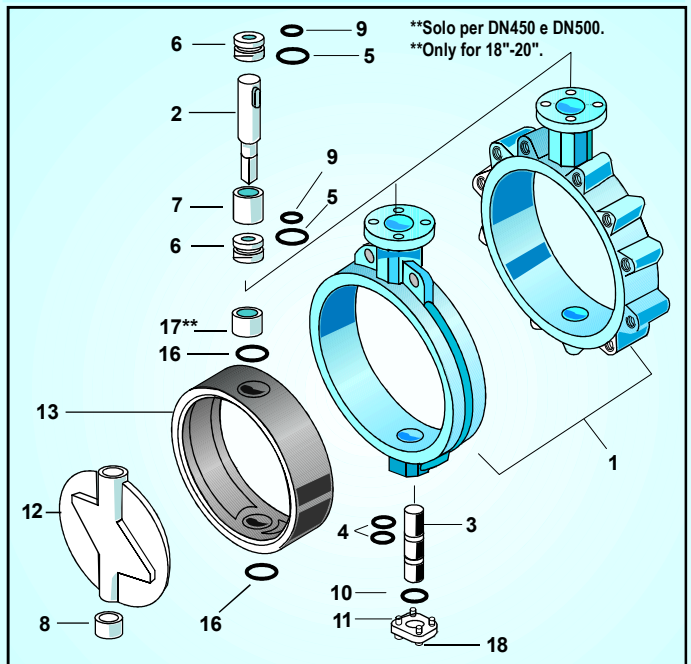


COMPOSIZIONI MATERIALI - MATERIALS OF CONSTRUCTION

DN 40 ÷ DN 300 (1 1/2" ÷ 12")



DN 350 ÷ DN 600 (14" ÷ 24")



ITEM	DESCRIZIONE - DESCRIPTION	MATERIALI	MATERIALS	RIFER. NORM. - REF. NORM
1	CORPO - BODY	Ghisa sferoidale GS 400/15 Alluminio G-Al Si 91 Bronzo/All G-Cu Al 11 Fe4 Ni4 Acc. Carb. ritagliato Fe510 gr.C Acc. Carb. Fe G. 45 VR Acc. Inox - 316 / 316 L	Ductile Iron GS 400/15 Aluminium G-Al Si 91 Al/BR. G-CU Al 11 Fe4 Ni4 Cut-off Carb.Steel Fe 510 gr. C Carbon Steel Fe G.45 VR 316 S.S./ 316 L.S.S.	ASTM A 536 GR. 65-45-15 - ASTM B 148-GR.955 EN 10025 ASTM 216 WCB ASTM 351-CF8M / CF3M
2 + 3	STELO SUPERIORE E INFERIORE UPPER AND LOWER STEM	Bronzo/All Cu Al 10 Ni5 Fe4 Acc. Inox - 416 Acc. Inox - 316 / 316 L Acc. Inox - 630 (17-4-PH) Duplex F51 Hastelloy C - 276 Monel K 500	Al/BR.CU Al 10 Ni5 Fe4 416 S.S. 316 S.S./ 316 L.S.S. 630 S.S.	DIN 1756 ASTM A 582 Type 416 ASTM A 479 Type 316 / 316 L ASTM A 564 Type 630 UNS S 31803 ASTM B 574-94 BS 3076 NA 18(1989)
4 + 5	O-RING - O-RING	Buna / Viton	Buna / Viton	-
6	BRONZINA CORTA CON 1 OR -	Bronzo	Bronze	-
7	DISTANZIALE - SPACER	Acciaio Carbonio	Carbon Steel	-
8	BRONZINA CORTA CON 2 OR -	Bronzo	Bronze	-
9 + 10	O-RING - O-RING	Buna / Viton	Buna / Viton	-
11	TAPPO - PLUG	Acciaio Carbonio / Aisi 304	Carbon Steel / 304 S.S.	-
12	DISCO - DISC	Ghis. Sferoid. GS 400/15 ENP Bronzo/All. G-CU Al 11 Fe4 Ni4 Acc. Carbonio forgiato Acc. Carbonio Fe G. 45 VR Acc. INOX 316 forgiato Acc. INOX 316 / 316 L fuso Acc. INOX 316 L microfuso 254 SMO Duplex Hastelloy C - 276 Monel 400 Rivestito EPDM-BUNA N-VITON Rivestito RILSAN-HALAR	Ductile Iron GS 400/15 ENP Al/Bronze G-CU Al 11 Fe4 Ni4 Forged carbon steel Carbon Steel Fe G.45 VR 316 S.S. forged 316 S.S. / 316 L S.S. casting 316 L.S.S. precision casting	ASTM A 536 GR. 65-45-15 ASTM B 148-GR.955 ASTM A 105 ASTM A 216 WCB ASTM A 182 F316 ASTM A 351-CF8M / CF3M MSS-SP-55 ASTM A 351 GR. CK 3 M CUN ASTM A 351 GR. CD 4 M CU ASTM A 494 CW 2 M ASTM A 494 GR. M 35-1
13	SEDE - SEAT	Buna N* - EPDM - EPDM H.T. - Gomma naturale - Neoprene* - Viton* - Hypalon* - Silicone PTFE	Buna N* - EPDM - EPDM H.T. - Natural rubber - Neoprene* - Viton* - Hypalon* - Silicone PTFE	ASTM D 2000 - ASTM D 1437-73
14	BRONZINA LUNGA - LONG BUSHING	Bronzo	Bronze	-
15 + 16	O-RING - O-RING	Buna / Viton	Buna / Viton	-
17**	BRONZINA - BUSHING	Bronzo	Bronze	-
18	VITE - SCREW	Acc. Carbonio 8.8/ A2	Carbon Steel 8.8 / S.S. A2	-

*Marchio Du Pont - Du Pont trademark

Parti di ricambio consigliate. Spare parts suggested.

NOTA: Altri materiali, oltre quelli sopra indicati, sono fornibili su richiesta. NOTE: Special materials, are available on request.