
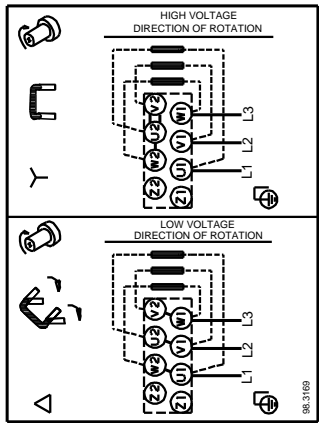
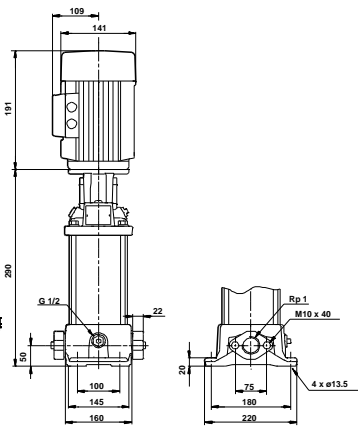
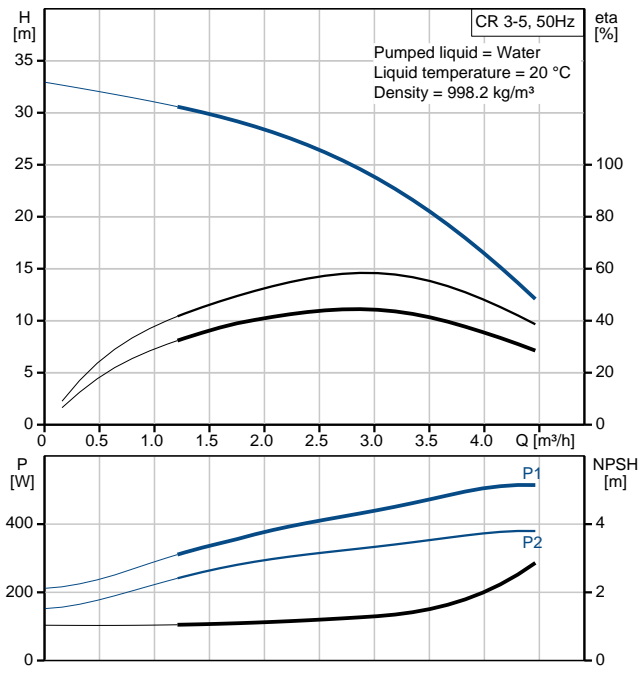


Position	Qty.	Description																																																												
	1	<p data-bbox="322 161 587 192">CR 3-5 A-A-A-E-HQQE</p>  <p data-bbox="322 483 587 515">Product No.: 96556631</p> <p data-bbox="322 546 1407 622">Vertical, multistage centrifugal pump with suction and discharge ports on same the level (in-line) enabling installation in a horizontal one-pipe system. The pump head and base are in cast iron – all other wetted parts are in stainless steel.</p> <p data-bbox="322 631 1414 707">A cartridge shaft seal ensures high reliability, safe handling and easy service and access. Power transmission is via a split coupling. Pipework connection is via oval flanges with internal Rp threads. The pump is fitted with a 3-phase, fan-cooled asynchronous motor.</p> <p data-bbox="322 775 405 801">Liquid:</p> <table data-bbox="322 806 826 927"> <tr> <td>Pumped liquid:</td> <td>Water</td> </tr> <tr> <td>Liquid temperature range:</td> <td>-20 .. 120 °C</td> </tr> <tr> <td>Liquid temp:</td> <td>20 °C</td> </tr> <tr> <td>Density:</td> <td>998.2 kg/m³</td> </tr> </table> <p data-bbox="322 954 443 981">Technical:</p> <table data-bbox="322 985 884 1160"> <tr> <td>Speed for pump data:</td> <td>2873 rpm</td> </tr> <tr> <td>Rated flow:</td> <td>3 m³/h</td> </tr> <tr> <td>Rated head:</td> <td>23.4 m</td> </tr> <tr> <td>Primary shaft:</td> <td>HQQE</td> </tr> <tr> <td>Approvals on nameplate:</td> <td>CE, TR</td> </tr> <tr> <td>Curve tolerance:</td> <td>ISO9906:2012 3B</td> </tr> </table> <p data-bbox="322 1191 437 1218">Materials:</p> <table data-bbox="322 1223 890 1429"> <tr> <td>Pump housing:</td> <td>Cast iron EN-JL1030 ASTM A48-30 B</td> </tr> <tr> <td>Impeller:</td> <td>Stainless steel DIN W.-Nr. 1.4301 AISI 304</td> </tr> <tr> <td>Bush material:</td> <td>NONE</td> </tr> </table> <p data-bbox="322 1460 459 1487">Installation:</p> <table data-bbox="322 1491 858 1666"> <tr> <td>Maximum ambient temperature:</td> <td>40 °C</td> </tr> <tr> <td>Max pressure at stated temp:</td> <td>16 bar / 120 °C 16 bar / -20 °C</td> </tr> <tr> <td>Flange standard:</td> <td>OVAL</td> </tr> <tr> <td>Pipe connection:</td> <td>Rp 1</td> </tr> <tr> <td>Flange size for motor:</td> <td>FT85</td> </tr> </table> <p data-bbox="322 1697 497 1724">Electrical data:</p> <table data-bbox="322 1729 865 2087"> <tr> <td>Motor type:</td> <td>71A</td> </tr> <tr> <td>IE Efficiency class:</td> <td>NA</td> </tr> <tr> <td>Number of poles:</td> <td>2</td> </tr> <tr> <td>Rated power - P2:</td> <td>0.37 kW</td> </tr> <tr> <td>Power (P2) required by pump:</td> <td>0.37 kW</td> </tr> <tr> <td>Mains frequency:</td> <td>50 Hz</td> </tr> <tr> <td>Rated voltage:</td> <td>3 x 380-415 D V</td> </tr> <tr> <td>Rated current:</td> <td>1 A</td> </tr> <tr> <td>Starting current:</td> <td>490-530 %</td> </tr> <tr> <td>Cos phi - power factor:</td> <td>0,80-0,70</td> </tr> <tr> <td>Rated speed:</td> <td>2850-2880 rpm</td> </tr> <tr> <td>Efficiency:</td> <td>73,8%</td> </tr> </table>	Pumped liquid:	Water	Liquid temperature range:	-20 .. 120 °C	Liquid temp:	20 °C	Density:	998.2 kg/m ³	Speed for pump data:	2873 rpm	Rated flow:	3 m ³ /h	Rated head:	23.4 m	Primary shaft:	HQQE	Approvals on nameplate:	CE, TR	Curve tolerance:	ISO9906:2012 3B	Pump housing:	Cast iron EN-JL1030 ASTM A48-30 B	Impeller:	Stainless steel DIN W.-Nr. 1.4301 AISI 304	Bush material:	NONE	Maximum ambient temperature:	40 °C	Max pressure at stated temp:	16 bar / 120 °C 16 bar / -20 °C	Flange standard:	OVAL	Pipe connection:	Rp 1	Flange size for motor:	FT85	Motor type:	71A	IE Efficiency class:	NA	Number of poles:	2	Rated power - P2:	0.37 kW	Power (P2) required by pump:	0.37 kW	Mains frequency:	50 Hz	Rated voltage:	3 x 380-415 D V	Rated current:	1 A	Starting current:	490-530 %	Cos phi - power factor:	0,80-0,70	Rated speed:	2850-2880 rpm	Efficiency:	73,8%
Pumped liquid:	Water																																																													
Liquid temperature range:	-20 .. 120 °C																																																													
Liquid temp:	20 °C																																																													
Density:	998.2 kg/m ³																																																													
Speed for pump data:	2873 rpm																																																													
Rated flow:	3 m ³ /h																																																													
Rated head:	23.4 m																																																													
Primary shaft:	HQQE																																																													
Approvals on nameplate:	CE, TR																																																													
Curve tolerance:	ISO9906:2012 3B																																																													
Pump housing:	Cast iron EN-JL1030 ASTM A48-30 B																																																													
Impeller:	Stainless steel DIN W.-Nr. 1.4301 AISI 304																																																													
Bush material:	NONE																																																													
Maximum ambient temperature:	40 °C																																																													
Max pressure at stated temp:	16 bar / 120 °C 16 bar / -20 °C																																																													
Flange standard:	OVAL																																																													
Pipe connection:	Rp 1																																																													
Flange size for motor:	FT85																																																													
Motor type:	71A																																																													
IE Efficiency class:	NA																																																													
Number of poles:	2																																																													
Rated power - P2:	0.37 kW																																																													
Power (P2) required by pump:	0.37 kW																																																													
Mains frequency:	50 Hz																																																													
Rated voltage:	3 x 380-415 D V																																																													
Rated current:	1 A																																																													
Starting current:	490-530 %																																																													
Cos phi - power factor:	0,80-0,70																																																													
Rated speed:	2850-2880 rpm																																																													
Efficiency:	73,8%																																																													

Position	Qty.	Description
		Motor efficiency at full load: 73.8 % Motor efficiency at 3/4 load: 79.0 % Motor efficiency at 1/2 load: 75.5 % Enclosure class (IEC 34-5): 55 Dust/Jetting Insulation class (IEC 85): F Others: Minimum efficiency index, MEI : 0.7 Net weight: 19.1 kg Gross weight: 21.8 kg Shipping volume: 0.05 m ³

Description	Value
General information:	
Product name:	CR 3-5 A-A-A-E-HQQE
Product No:	96556631
EAN number:	5700399016556
Price:	On request
Technical:	
Speed for pump data:	2873 rpm
Rated flow:	3 m ³ /h
Rated head:	23.4 m
Head max:	32.3 m
Impellers:	5
Primary shaft:	HQQE
Approvals on nameplate:	CE,TR
Curve tolerance:	ISO9906:2012 3B
Pump type:	CR 3
Stages:	5
Pump version:	A
Model:	A
Materials:	
Pump housing:	Cast iron EN-JL1030
	ASTM A48-30 B
Impeller:	Stainless steel DIN W.-Nr. 1.4301 AISI 304
Material code:	A
Code for rubber:	E
Bush material:	NONE
Installation:	
Maximum ambient temperature:	40 °C
Max pressure at stated temp:	16 bar / 120 °C
	16 bar / -20 °C
Flange standard:	OVAL
Connect code:	A
Pipe connection:	Rp 1
Flange size for motor:	FT85
Liquid:	
Pumped liquid:	Water
Liquid temperature range:	-20 .. 120 °C
Liquid temp:	20 °C
Density:	998.2 kg/m ³
Electrical data:	
Motor type:	71A
IE Efficiency class:	NA
Number of poles:	2
Rated power - P2:	0.37 kW
Power (P2) required by pump:	0.37 kW
Mains frequency:	50 Hz
Rated voltage:	3 x 380-415 D V
Rated current:	1 A
Starting current:	490-530 %
Cos phi - power factor:	0,80-0,70
Rated speed:	2850-2880 rpm
Efficiency:	73,8%
Motor efficiency at full load:	73.8 %
Motor efficiency at 3/4 load:	79.0 %
Motor efficiency at 1/2 load:	75.5 %
Enclosure class (IEC 34-5):	55 Dust/Jetting
Insulation class (IEC 85):	F
Motor protec:	NONE



Description	Value
Motor No:	85815102
Others:	
Minimum efficiency index, MEI :	0.7
Net weight:	19.1 kg
Gross weight:	21.8 kg
Shipping volume:	0.05 m ³