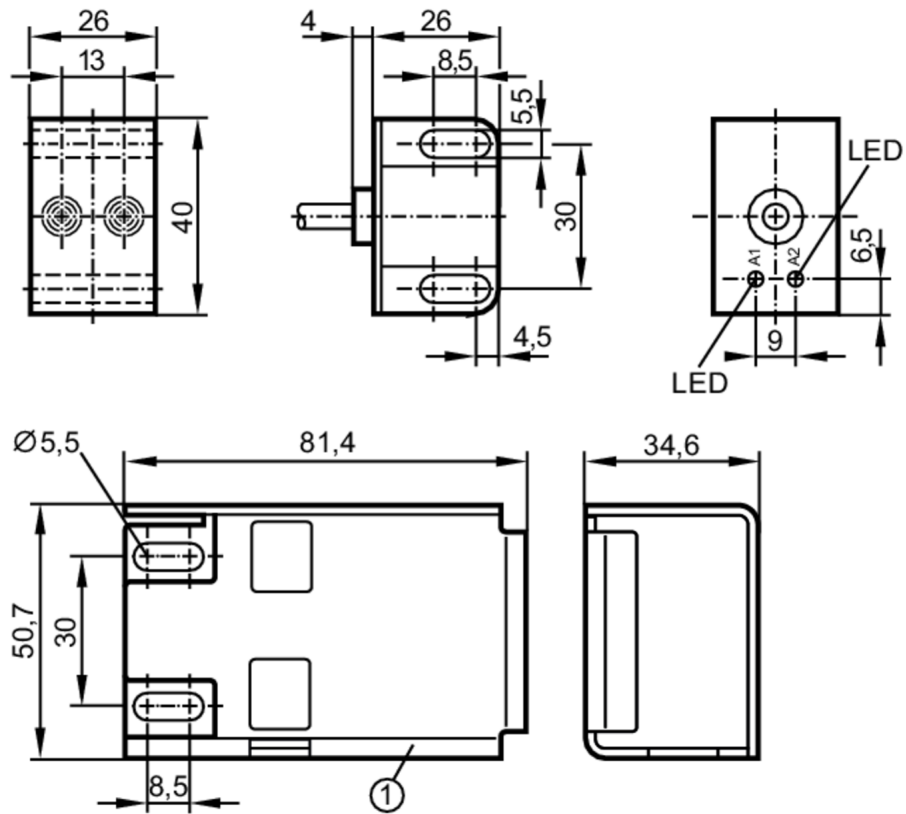


IN512A



Dual inductive sensor for valve actuators

IND3004DBPKG/3D



1 impact protection housing wall thickness 2 mm



Product characteristics

Electrical design		PNP
Output function		2 x normally open
Sensing range	[mm]	4
Housing		rectangular
Dimensions	[mm]	40 x 26 x 26

Electrical data

Operating voltage	[V]	10...30 DC
Current consumption	[mA]	< 15
Protection class		III
Reverse polarity protection		yes

IN512A



Dual inductive sensor for valve actuators

IND3004DBPKG/3D

Outputs	
Electrical design	PNP
Output function	2 x normally open
Max. voltage drop switching output DC [V]	2.5
Permanent current rating of switching output DC [mA]	100
Short-time current rating of switching output [mA]	100
Switching frequency DC [Hz]	1300
Short-circuit protection	yes
Type of short-circuit protection	yes (non-latching)
Overload protection	yes
Monitoring range	
Sensing range [mm]	4
Operating distance target puck [mm]	1
Accuracy / deviations	
Correction factor	steel: 1 / stainless steel: 0.7 / brass: 0.5 / aluminum: 0.4 / copper: 0.3
Hysteresis [% of Sr]	1...15
Switch-point drift [% of Sr]	-10...10
Operating conditions	
Ambient temperature [°C]	-20...60
Protection	IP 67
Tests / approvals	
ATEX marking	II 3D Ex tc IIIC T80°C Dc IP67 X
Note on ATEX marking	only in conjunction with the impact protective housing
EMC	EN 60947-5-2
MTTF [years]	1064
Mechanical data	
Weight [g]	347.5
Housing	rectangular
Dimensions [mm]	40 x 26 x 26
Material	housing: PBT; cover: PC; impact protection housing: stainless steel
Displays / operating elements	
Display	Switching status 2 x LED, yellow
Accessories	
Items supplied	impact protection housing socket head screws: 2 x M5 x 35 Mounting plate: 1
Remarks	
Pack quantity	1 pcs.

IN512A



Dual inductive sensor for valve actuators

IND3004DBPKG/3D

Electrical connection

Cable: 2 m, PVC; 4 x 0.34 mm²

Connection

