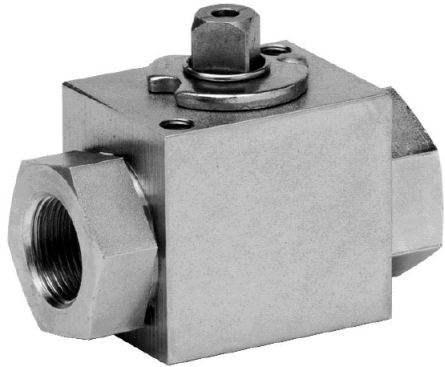


2-Way full-bore Threaded-Ends High Pressure Carbon steel Ball Valve

ART. 526



Standard executions:

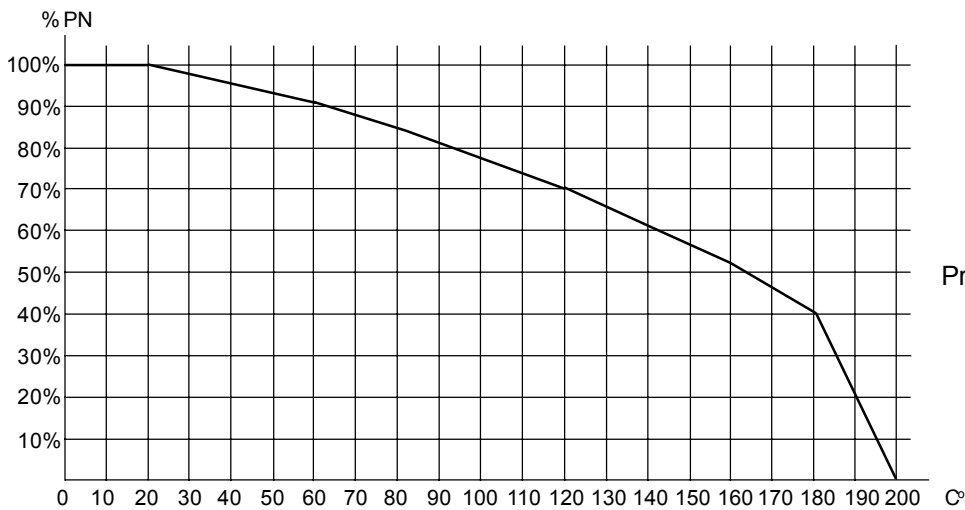
Female threaded ends as per DIN/ISO 228
 Working temperature: from -10°C to + 100°C
 Working pressure: 3/8" PN 500;
 1/2" PN 400;
 3/4"-1" PN 315;
 1 1/4"-1 1/2"-2" PN 350.
 Fluid range: oils, petroleum and petrochemical products.

On request:

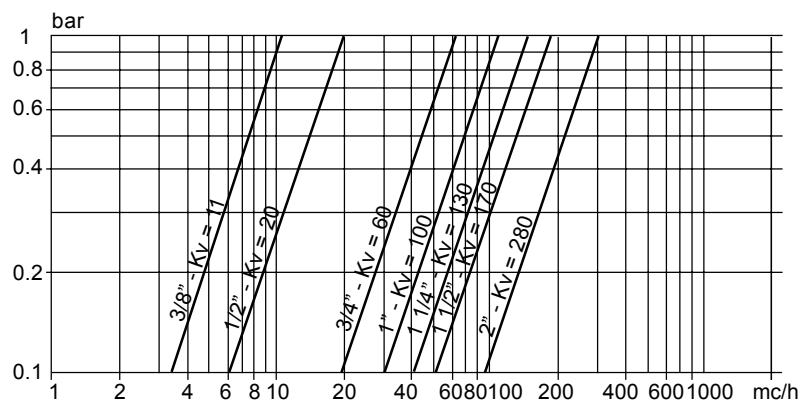
For other applications, please contact our technical department.

VALVE CODES IN STANDARD EXECUTION

size	DN 10	DN 15	DN 20	DN 25	DN 32	DN 40	DN 50
Free shaft weight Kg.	V526B403	V526B404	V526B405	V526B406	V526B407	V526B408	V526B409
with lever weight Kg.	L526B403	L526B404	L526B405	L526B406	L526B407	L526B408	L526B409



Pressure / Temperature diagram



flow-pressure loss diagram and Kv nominal coefficient.

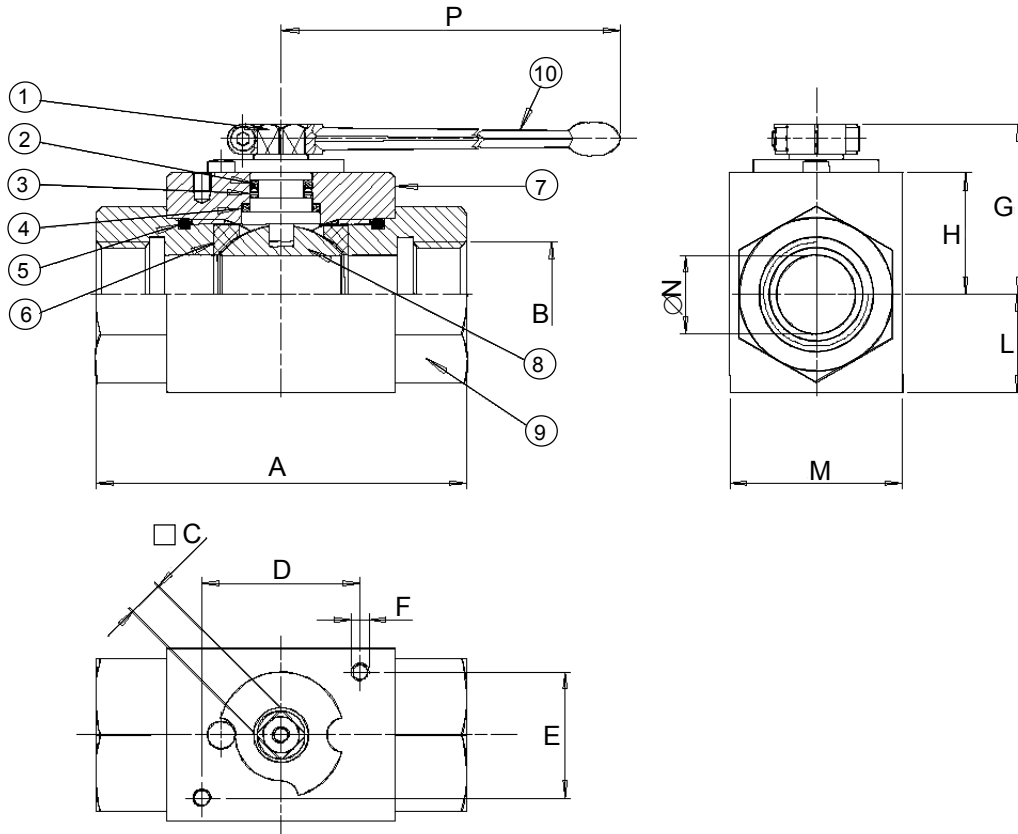
Kv is the coefficient, expressed in m³/h (with water at 15°C) causing a pressure loss of 1 bar.

BREAK AWAY TORQUES in Nm

size	DN 10	DN 15	DN 20	DN 25	DN 32	DN 40	DN 50
PN 315 bar			34	37			
PN 350 bar					66	75	135
PN 400 bar		18					
PN 500 bar	15						

Torque can vary depending on temperature and type of fluid; a safety factor of 1.4 must be applied.
Torque can drop on high frequency of operations

VALVE TYPE 526



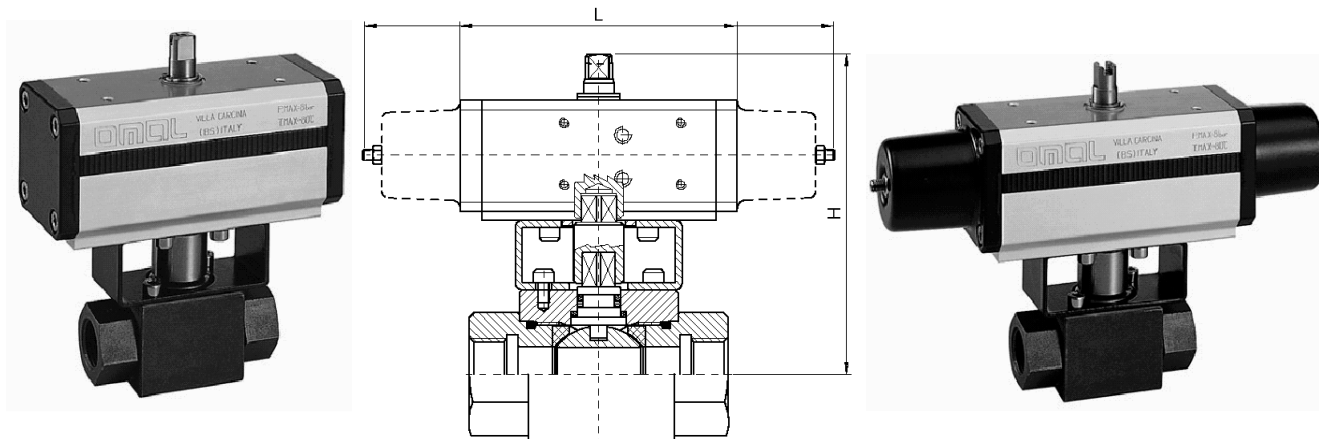
MATERIALS

1) Shaft	Carbon steel	CF9SMn28
2) Washer for o-ring protection	P.T.F.E.	
3) O-ring	NBR	
4) Washer	POM + MoS2	
5) O-ring	NBR	
6) Ball sealing	POM + MoS2	
7) Body	Carbon steel	CF9SMn28
8) Ball	Carbon steel chromium plated	CF9SMn28
9) Threaded end	Carbon steel	CF9SMn28
10) Lever	Carbon steel	CF9SMn28

DIMENSIONS

Size	A	B	C	D	E	F	G	H	L	M	øN	P
3/8"	72	3/8"	9	23	34	M6	34.3	20.5	17.5	32	10	115
1/2"	83	1/2"	9	23	34	M6	35	21	19	35	13	115
3/4"	95	3/4"	14	48	36	M8	50.8	32.5	24.5	49	20	200
1"	113	1"	14	48	36	M8	53.8	35.5	29.5	58	25	200
1 1/4"	111	1 1/4"	17	0	52	M8	66.5	45.5	40.5	81	32	320
1 1/2"	130	1 1/2"	17	0	52	M8	74	53	50	100	38	320
2"	140	2"	17	0	52	M8	79	58	59	118	48	320

AUTOMATED VALVE TYPE 526

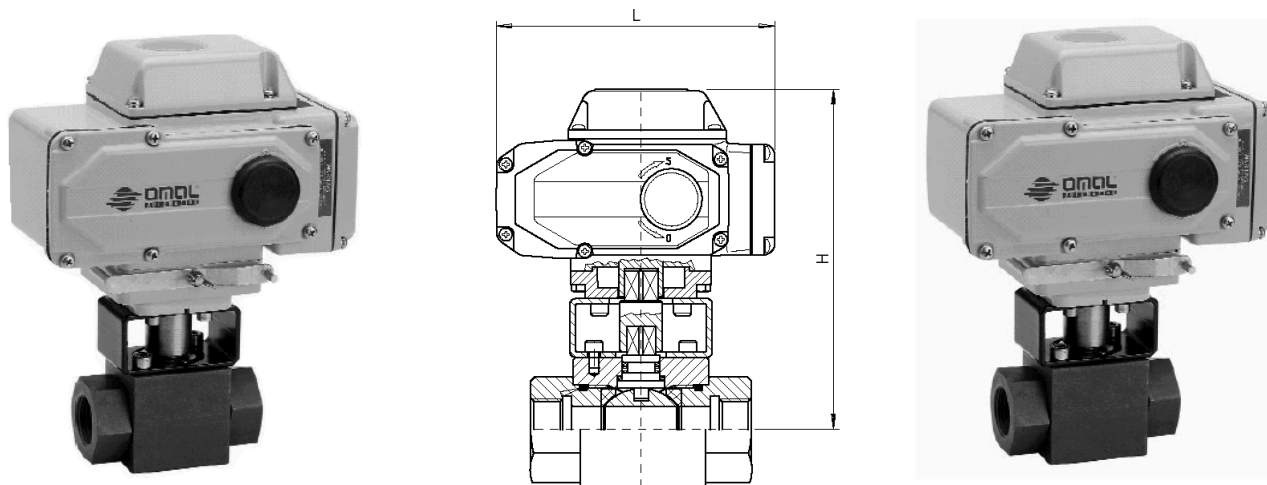


DOUBLE ACTING PNEUMATIC ACTUATOR

Model	Actuator	Mounting kit	DN mm	L mm	H mm	Weight Kg
D526H003	DA030401S	KCF031542	10	130	141	1.7
D526H004	DA030401S	KCF031542	15	130	141.5	1.8
D526H005	DA060402S	KCF041544	20	152	163	3.1
D526H006	DA060402S	KCF041544	25	152	167	3.9
D526H007	DA120401S	KCF051546	32	184	202	6
D526H008	DA120401S	KCF051546	40	184	209.5	8.1
D526H009	DA240401S	KCF071547	50	242	234.5	13.1

SPRING RETURN PNEUMATIC ACTUATOR

Model	Actuator	Mounting kit	DN mm	L mm	H mm	Weight Kg
S526H003	SR030402S	KCF041543	10	240	150.5	2.7
S526H004	SR030402S	KCF041543	15	240	151.5	2.8
S526H005	SR060401S	KCF051545	20	320	189	5.1
S526H006	SR060401S	KCF051545	25	320	192	5.8
S526H007	SR120401S	KCF071547	32	372	222	10.1
S526H008	SR120401S	KCF071547	40	372	229.5	12.2
S526H009	SR240401S	KCF101548	50	460	258	19.1



ON-OFF ELECTRICAL ACTUATOR

Model	Actuator	Mounting kit	DN mm	L mm	H mm	Weight Kg
E52616D03	AE160004	KCF051978	10	158.5	180	3.5
E52616D04	AE160004	KCF051978	15	158.5	180.5	3.6
E52616H05	AE160010	KCE281917	20	207.5	236	6.2
E52616H06	AE160010	KCE281917	25	207.5	239	7
E52616L07	AE160020	KCE362029	32	256.5	270.5	11.9
E52616L08	AE160020	KCE362029	40	256.5	278	14
E52616L09	AE160020	KCE362029	50	256.5	283	16.6

ROTARY MODULAR TYPE ELECTRICAL ACTUATOR

Model	Actuator	Mounting kit	DN mm	L mm	H mm	Weight Kg
M52616F03	AM160005	KCE282030	10	207.5	224	6
M52616F04	AM160005	KCE282030	15	207.5	224.5	6.1
M52616L05	AM160020	KCE362031	20	256.5	257.5	11.4
M52616L06	AM160020	KCE362031	25	256.5	260.5	12.1
M52616L07	AM160020	KCE362029	32	256.5	270.5	13.4
M52616L08	AM160020	KCE362029	40	256.5	278	15.5
M52616L09	AM160020	KCE562029	50	256.5	283	17.9