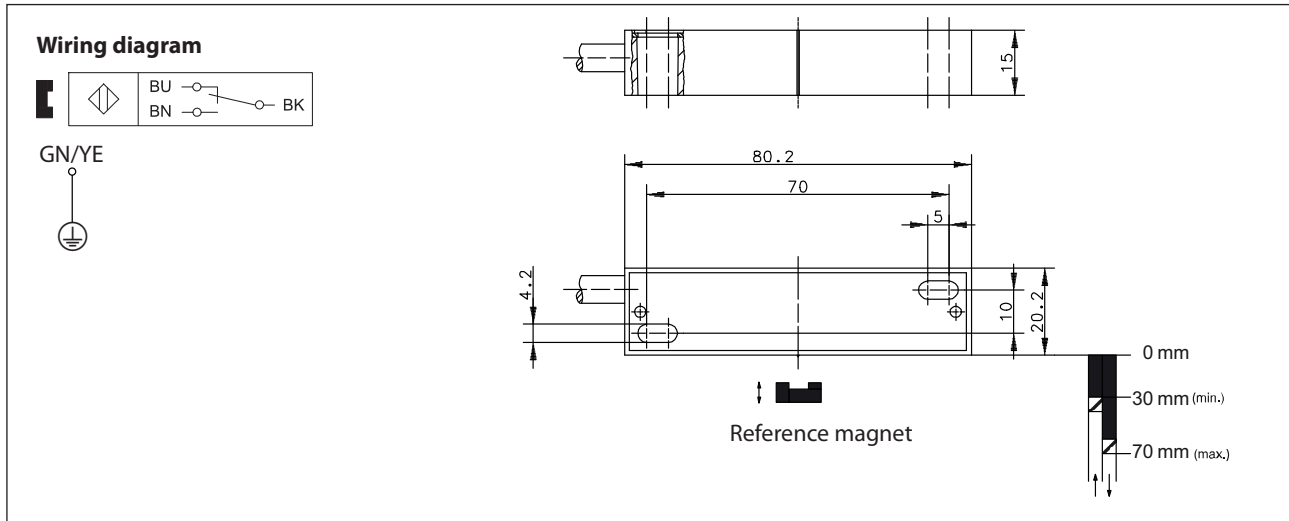


Magnetic Switch Series MA-02

Description **MAA-0213-LT-3**

Article number **6316302604**



Identifying characteristics in accordance with EN 60947-5-1 and EN 62246-1

Electrical data	
Switching element function	Switch-Over
Reference magnet	Ø 10 x 50 AlNiCo 500
Max. switching voltage	250 V
Max. switching current	1 A
Max. switching capacity	60 VA
Min. switching capacity	3 VA
Mechanical lifetime	3x10 ⁸ switchings
Repeat accuracy	R ± 0,1 mm under same geometrical conditions at the same temperature
Protection class	I

Mechanical data	
Enclosure	GDAISi 12, red; encapsulated reed contact
Ambient air temperature	-40 °C ... +150 °C
Type of protection	IP67 according to IEC 529, EN 60529
Termination type	Cable 4 x 0,75 mm ² x 3 m ± 5%; SIL-Outer jacket, black
Assembly position	optional (assembly on iron means reduction of switch distance)

EU Conformity	
acc. to directive 2014/35/EU (Low-Voltage-Directive)	

Pay attention to the contact protection when switching inductive loads.