



## ► Hybrid stepper motors

**6630-50**

- Step angle ..... 1.8°
- Diameter ..... 86 mm
- Weight ..... 4000 g
- Holding torque .... 9 Nm

The hybrid stepper motor comes into its own where torque at low speed, positioning, and accuracy are determining factors.

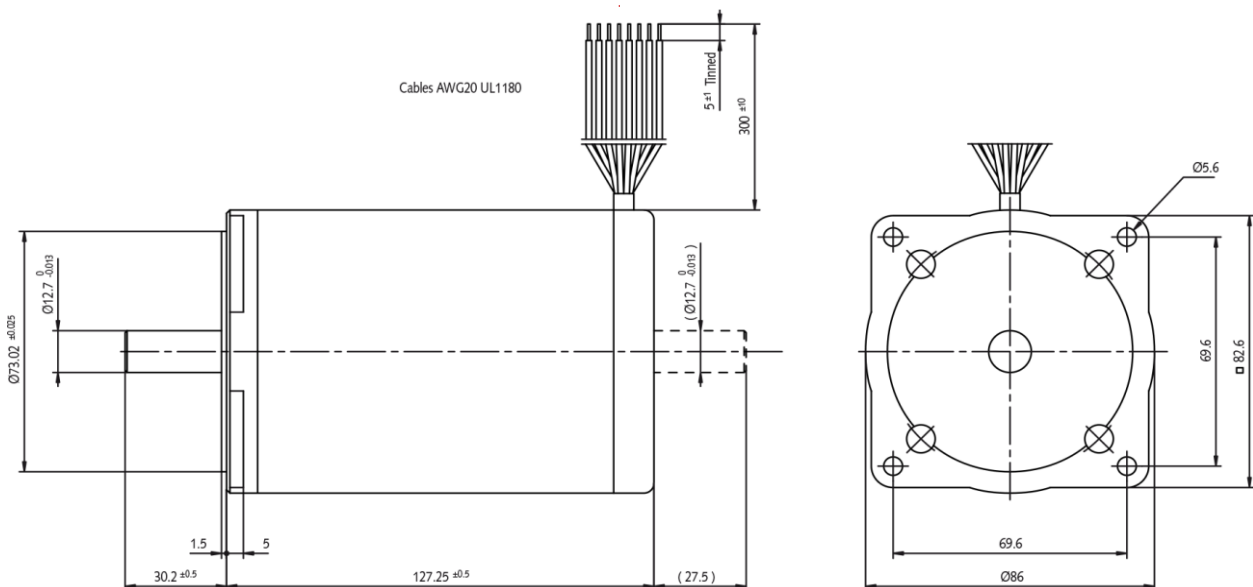
### ► Technical data

	Part N°	Phase resistance [Ω]	Phase inductance [mH]	Phase current [A]	Holding torque [mNm]	Nominal power [W]
Phases in parallel	6630-50-4-0.4	0.2	1.8	10	9	40
Phases in series		0.8	7.2	5	9	40

Steps/rev.	200
Step accuracy	± 5%
Rotor inertia	3950 gcm <sup>2</sup>
Insulation class	B 130 °C
Protection	DIN 40050 IP 30
Test voltage	500 VAC
Detent torque	300 mNm

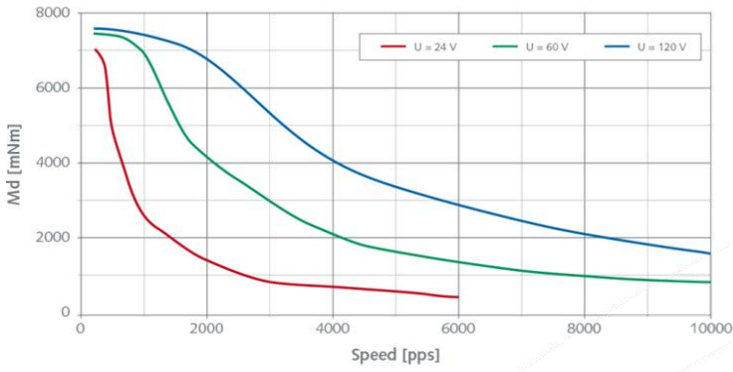
### ► Dimensions

Drawing not to scale. All dimensions in mm.

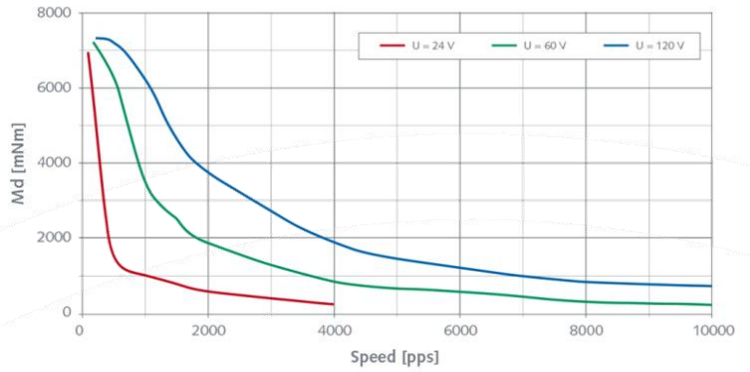


► Dynamic characteristics

• 6630-50-4-0.4 ► Phases in parallel



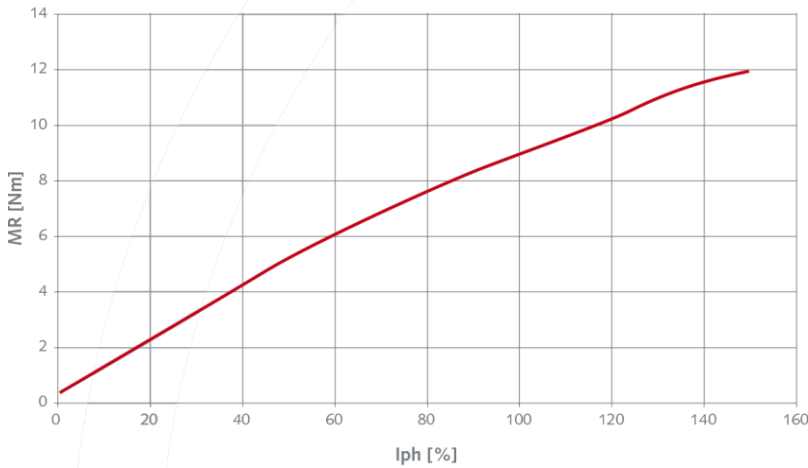
• 6630-50-4-0.4 ► Phases in series



[pps] = pulses per second

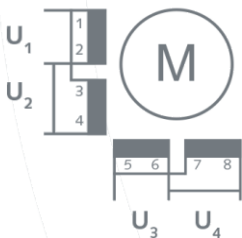
► Static characteristics

• 6630-50-4 Series

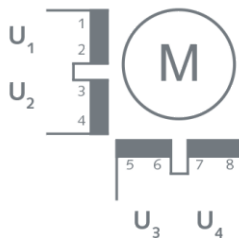


► Electrical Interface

► Phases in parallel



► Phases in series



- U<sub>1</sub> 1 green  
2 orange
- U<sub>2</sub> 3 black-white  
4 green-white
- U<sub>3</sub> 5 red  
6 black
- U<sub>4</sub> 7 white  
8 red-white

Special requirements upon customer specifications. Right to change reserved.

<2.0>

**SONCEBOZ SA**

2605 Sonceboz – Switzerland

Tel. +41(0) 32 488 11 11

Fax +41(0) 32 488 11 00

info@sonceboz.com - www.sonceboz.com

