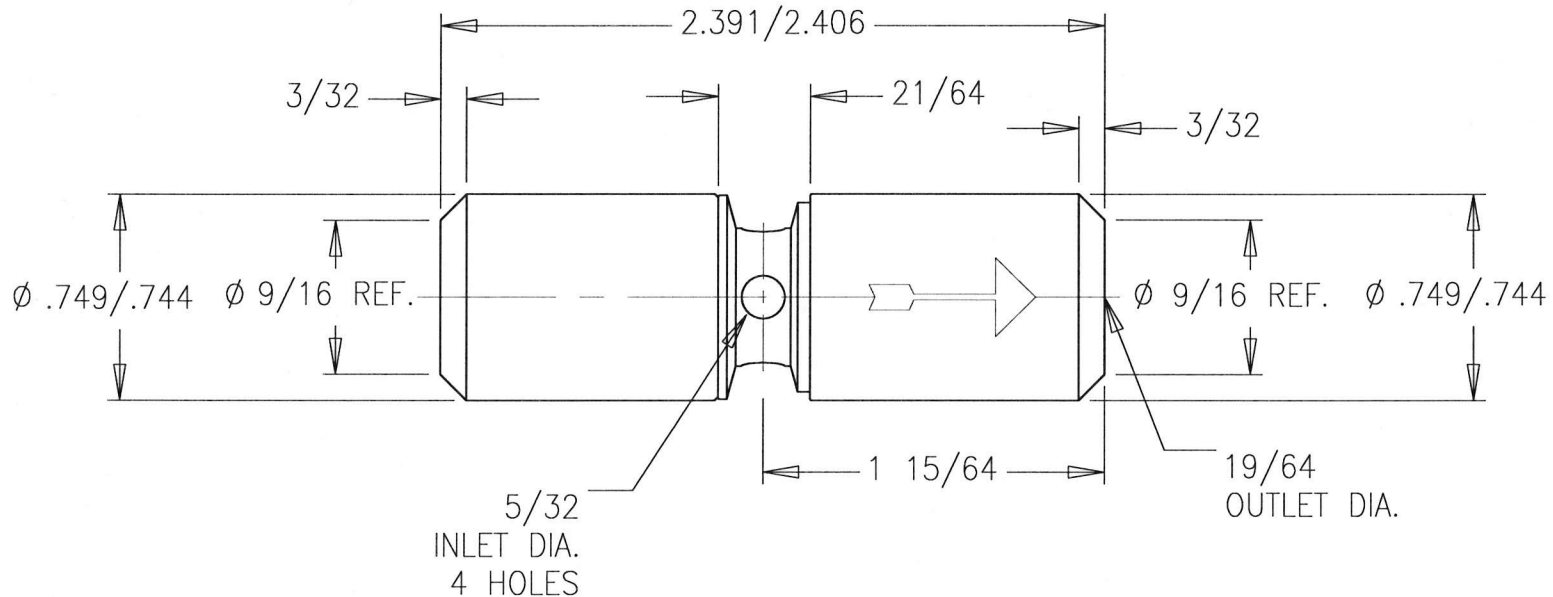


REV. NO.	DATE	CHANGE	BY	APVD
C	1-7-04	ECN1226; REDRAWN ON AC; NO CHANGE	VF	SPB



NOTE:

1. CRACK PRESSURE: 65 P.S.I.G. ±10%

IMPORTANT NOTICE

THIS DRAWING CONTAINS INFORMATION PROPRIETARY TO KEPNER PRODUCTS COMPANY; IT IS SUBMITTED IN CONFIDENCE AND IS TO BE USED SOLELY FOR THE PURPOSE FOR WHICH IT IS PROVIDED AND RETURNED UPON REQUEST. THIS INFORMATION IS NOT TO BE COPIED, DISCLOSED, OR USED OTHERWISE, WITHOUT OUR WRITTEN PERMISSION.

NO. REQ.	COMPONENT PART NO.	PART DESCRIPTION	MATERIAL	FINISH
1	1555C-100	BODY	CARB. STEEL	ZINC PLT.
1	1577C-101	CAP	CARB. STEEL	ZINC PLT.
1	3001C-102	RETAINER	CARB. STEEL	ZINC PLT.
1	3001C-103	POPPET	CARB. STEEL	ZINC PLT.
1	1001-133	SPRING	AISI 302 SS	COMMERCIAL
1	3001-227	O-RING	TEFLON	NONE
1	1577C-113	COUPLING	CARB. STEEL	ZINC PLATE
1	1577C-13	PISTON ASSEMBLY	AISI 303 SS	NONE



KEPNER PRODUCTS COMPANY
995 N. ELLSWORTH; VILLA PARK IL.

MATERIAL	SEE ABOVE	DRAWN	VF	DATE	1-7-04
FINISH	SEE ABOVE	APPROVED	SPB	CHECKED	VF
TITLE	KEPSEL CARTRIDGE LOCK VALVE				
SCALE	DO NOT SCALE DWG	DRAWING NUMBER	2036		REV
					C