

# Timing Pulleys - T5

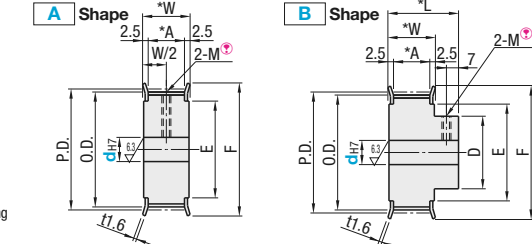
For Timing Belts, see **P.1470** and for Long Timing Belts, see **P.1473**. For Keyless Timing Pulleys, see **P.1439**. For Idlers with Teeth, see **P.1455**.



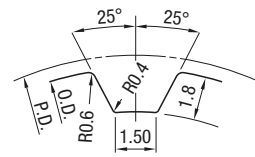
Type	Belt Width				Material *1		Surface Treatment	Accessory Set Screws *1
	10mm	15mm	20mm	25mm	Pulley	Flange		
TTPA	●	●	●	●	2000 Aluminum Alloy	Aluminum Alloy	Clear Anodize	EN 1.4301 Equiv.
TTPB	●	●	●	●				
TTPK	●	●	●	●				
TTPN	●	●	●	●				
TTPM	●	●	●	●				
TTPP	●	●	●	●	EN 1.1191 Equiv.	EN 1.0330 Equiv.	-	EN 1.7220 Equiv. (Black Oxide)

\*1. The above material and accessory might be changed to the ones equivalent to the originals.  
\*2. Hard Clear Anodize: Film Hardness 300HV ~

### Pulley Shape



### Standard Tooth Profile



Tooth groove dimensions slightly vary according to the number of teeth. (Pitch: 5.0mm)

Shaft Bore Specs. H (Round hole), V or F (Stepped Hole) and Y (Both Sides Stepped Hole) do not have tapped holes.

### Number of Teeth / Dimension

mm	Number of Teeth																			
	12	14	15	16	18	20	22	24	25	26	30	32	34	36	40	44	48	50	60	
P.D.	19.10	22.28	23.87	25.46	28.65	31.83	35.01	38.20	39.79	41.38	44.56	47.75	50.93	54.11	57.30	63.66	70.03	76.39	79.58	95.49
O.D.	18.25	21.45	23.05	24.60	27.80	31.00	34.25	37.40	39.00	40.60	43.75	46.95	50.10	53.25	56.45	62.85	69.20	75.55	78.75	94.65
D	-	14	15	17	19	19	24	27	27	31	32	33	37	40	40	47	50	60	63	75
F	24	26	28	32	33	36	40	45	45	48	48	52	55	61	61	67	74	83	87	99
E	12	16	18	20	22	24	27	30	30	35	35	36	40	45	45	50	58	63	67	80

### Tapped Hole Dimensions (Shaft Bore Specs.: P, N, C)

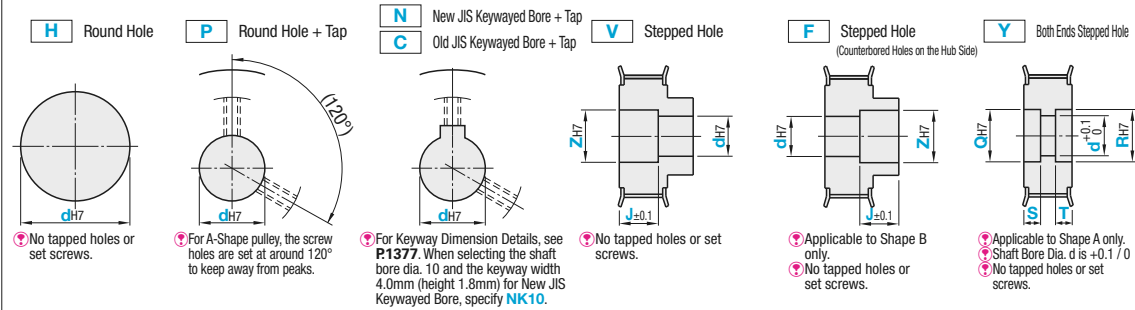
dh7 Shaft Bore I.D.	M (Coarse)	Accessory: Set Screw
5	M3	M3x3
6-12	M4	M4x3
13-17	M5	M5x4
18-30	M6	M6x5
31-45	M8	M8x6

### Belt Nominal Width / Dimension

mm	Nominal		
	T5100	T5150	T5200
A	11	17	22
W	16	22	27
L	28	34	39

### Shaft Bore Specs.

Surface treatment may not be applied to shaft bores.



Part Number	Type	Number of Teeth	Type Nominal Shape	Pulley Shape																	
				A						B											
				Shaft Bore Specifications (-): Specify in 1mm Increment, (, ): Select the former or latter						Shaft Bore Specifications (-): Specify in 1mm Increment, (, ): Select the former or latter											
				H Round Hole		P Round Hole + Tap		N Keyway + Tap		V Stepped Hole		Y Both Ends Stepped		H Round Hole		P Round Hole + Tap		N, C Keyway + Tap		V, F Stepped Hole	
				H Round Hole		P Round Hole + Tap		N Keyway + Tap		V Stepped Hole		Y Both Ends Stepped		H Round Hole		P Round Hole + Tap		N, C Keyway + Tap		V, F Stepped Hole	
				H Round Hole		P Round Hole + Tap		N Keyway + Tap		V Stepped Hole		Y Both Ends Stepped		H Round Hole		P Round Hole + Tap		N, C Keyway + Tap		V, F Stepped Hole	
				H Round Hole		P Round Hole + Tap		N Keyway + Tap		V Stepped Hole		Y Both Ends Stepped		H Round Hole		P Round Hole + Tap		N, C Keyway + Tap		V, F Stepped Hole	
				H Round Hole		P Round Hole + Tap		N Keyway + Tap		V Stepped Hole		Y Both Ends Stepped		H Round Hole		P Round Hole + Tap		N, C Keyway + Tap		V, F Stepped Hole	
				H Round Hole		P Round Hole + Tap		N Keyway + Tap		V Stepped Hole		Y Both Ends Stepped		H Round Hole		P Round Hole + Tap		N, C Keyway + Tap		V, F Stepped Hole	
				H Round Hole		P Round Hole + Tap		N Keyway + Tap		V Stepped Hole		Y Both Ends Stepped		H Round Hole		P Round Hole + Tap		N, C Keyway + Tap		V, F Stepped Hole	
				H Round Hole		P Round Hole + Tap		N Keyway + Tap		V Stepped Hole		Y Both Ends Stepped		H Round Hole		P Round Hole + Tap		N, C Keyway + Tap		V, F Stepped Hole	
				H Round Hole		P Round Hole + Tap		N Keyway + Tap		V Stepped Hole		Y Both Ends Stepped		H Round Hole		P Round Hole + Tap		N, C Keyway + Tap		V, F Stepped Hole	
				H Round Hole		P Round Hole + Tap		N Keyway + Tap		V Stepped Hole		Y Both Ends Stepped		H Round Hole		P Round Hole + Tap		N, C Keyway + Tap		V, F Stepped Hole	
				H Round Hole		P Round Hole + Tap		N Keyway + Tap		V Stepped Hole		Y Both Ends Stepped		H Round Hole		P Round Hole + Tap		N, C Keyway + Tap		V, F Stepped Hole	
				H Round Hole		P Round Hole + Tap		N Keyway + Tap		V Stepped Hole		Y Both Ends Stepped		H Round Hole		P Round Hole + Tap		N, C Keyway + Tap		V, F Stepped Hole	
				H Round Hole		P Round Hole + Tap		N Keyway + Tap		V Stepped Hole		Y Both Ends Stepped		H Round Hole		P Round Hole + Tap		N, C Keyway + Tap		V, F Stepped Hole	
				H Round Hole		P Round Hole + Tap		N Keyway + Tap		V Stepped Hole		Y Both Ends Stepped		H Round Hole		P Round Hole + Tap		N, C Keyway + Tap		V, F Stepped Hole	
				H Round Hole		P Round Hole + Tap		N Keyway + Tap		V Stepped Hole		Y Both Ends Stepped		H Round Hole		P Round Hole + Tap		N, C Keyway + Tap		V, F Stepped Hole	
				H Round Hole		P Round Hole + Tap		N Keyway + Tap		V Stepped Hole		Y Both Ends Stepped		H Round Hole		P Round Hole + Tap		N, C Keyway + Tap		V, F Stepped Hole	
				H Round Hole		P Round Hole + Tap		N Keyway + Tap		V Stepped Hole		Y Both Ends Stepped		H Round Hole		P Round Hole + Tap		N, C Keyway + Tap		V, F Stepped Hole	
				H Round Hole		P Round Hole + Tap		N Keyway + Tap		V Stepped Hole		Y Both Ends Stepped		H Round Hole		P Round Hole + Tap		N, C Keyway + Tap		V, F Stepped Hole	
				H Round Hole		P Round Hole + Tap		N Keyway + Tap		V Stepped Hole		Y Both Ends Stepped		H Round Hole		P Round Hole + Tap		N, C Keyway + Tap		V, F Stepped Hole	
				H Round Hole		P Round Hole + Tap		N Keyway + Tap		V Stepped Hole		Y Both Ends Stepped		H Round Hole		P Round Hole + Tap		N, C Keyway + Tap		V, F Stepped Hole	
				H Round Hole		P Round Hole + Tap		N Keyway + Tap		V Stepped Hole		Y Both Ends Stepped		H Round Hole		P Round Hole + Tap		N, C Keyway + Tap		V, F Stepped Hole	
				H Round Hole		P Round Hole + Tap		N Keyway + Tap		V Stepped Hole		Y Both Ends Stepped		H Round Hole		P Round Hole + Tap		N, C Keyway + Tap		V, F Stepped Hole	
				H Round Hole		P Round Hole + Tap		N Keyway + Tap		V Stepped Hole		Y Both Ends Stepped		H Round Hole		P Round Hole + Tap		N, C Keyway + Tap		V, F Stepped Hole	
				H Round Hole		P Round Hole + Tap		N Keyway + Tap		V Stepped Hole		Y Both Ends Stepped		H Round Hole		P Round Hole + Tap		N, C Keyway + Tap		V, F Stepped Hole	
				H Round Hole		P Round Hole + Tap		N Keyway + Tap		V Stepped Hole		Y Both Ends Stepped		H Round Hole		P Round Hole + Tap		N, C Keyway + Tap		V, F Stepped Hole	
				H Round Hole		P Round Hole + Tap		N Keyway + Tap		V Stepped Hole		Y Both Ends Stepped		H Round Hole		P Round Hole + Tap		N, C Keyway + Tap		V, F Stepped Hole	
				H Round Hole		P Round Hole + Tap		N Keyway + Tap		V Stepped Hole		Y Both Ends Stepped		H Round Hole		P Round Hole + Tap		N, C Keyway + Tap		V, F Stepped Hole	
				H Round Hole		P Round Hole + Tap		N Keyway + Tap		V Stepped Hole		Y Both Ends Stepped		H Round Hole		P Round Hole + Tap		N, C Keyway + Tap		V, F Stepped Hole	
				H Round Hole		P Round Hole + Tap		N Keyway + Tap		V Stepped Hole		Y Both Ends Stepped		H Round Hole		P Round Hole + Tap		N, C Keyway + Tap		V, F Stepped Hole	
				H Round Hole		P Round Hole + Tap		N Keyway + Tap		V Stepped Hole		Y Both Ends Stepped		H Round Hole		P Round Hole + Tap		N, C Keyway + Tap		V, F Stepped Hole	
				H Round Hole		P Round Hole + Tap		N Keyway + Tap		V Stepped Hole		Y Both Ends Stepped		H Round Hole		P Round Hole + Tap		N, C Keyway + Tap		V, F Stepped Hole	
				H Round Hole		P Round Hole + Tap		N Keyway + Tap		V Stepped Hole		Y Both Ends Stepped		H Round Hole		P Round Hole + Tap		N, C Keyway + Tap		V, F Stepped Hole	
				H Round Hole		P Round Hole + Tap		N Keyway + Tap		V Stepped Hole		Y Both Ends Stepped		H Round Hole		P Round Hole + Tap		N, C Keyway + Tap		V, F Stepped Hole	
				H Round Hole		P Round Hole + Tap		N Keyway + Tap		V Stepped Hole		Y Both Ends Stepped		H Round Hole		P Round Hole + Tap		N, C Keyway + Tap		V, F Stepped Hole	
				H Round Hole		P Round Hole + Tap		N Keyway + Tap		V Stepped Hole		Y Both Ends Stepped		H Round Hole		P Round Hole + Tap		N, C Keyway + Tap		V, F Stepped Hole	
				H Round Hole		P Round Hole + Tap		N Keyway + Tap		V Stepped Hole		Y Both Ends Stepped		H Round Hole		P Round Hole + Tap		N, C Keyway + Tap		V, F Stepped Hole	
				H Round Hole		P Round Hole + Tap		N Keyway + Tap		V Stepped Hole		Y Both Ends Stepped		H Round Hole		P Round Hole + Tap		N, C Keyway + Tap		V, F Stepped Hole	
				H Round Hole		P Round Hole + Tap		N Keyway + Tap		V Stepped Hole		Y Both Ends Stepped		H Round Hole		P Round Hole + Tap		N, C Keyway + Tap		V, F Stepped Hole	
				H Round Hole		P Round Hole + Tap		N Keyway + Tap		V Stepped Hole		Y Both Ends Stepped		H Round Hole		P Round Hole + Tap		N, C Keyway + Tap		V, F Stepped Hole	
				H Round Hole		P Round Hole + Tap		N Keyway + Tap		V Stepped Hole		Y Both Ends Stepped		H Round Hole		P Round Hole + Tap		N, C Keyway + Tap		V, F Stepped Hole	
				H Round Hole		P Round Hole + Tap		N Keyway + Tap		V Stepped Hole		Y Both Ends Stepped		H Round Hole		P Round Hole + Tap		N, C Keyway + Tap		V, F Stepped Hole	
				H Round Hole		P Round Hole + Tap		N Keyway + Tap		V Stepped Hole		Y Both Ends Stepped		H Round Hole		P Round Hole + Tap		N, C Keyway + Tap		V, F Stepped Hole	
				H Round Hole		P Round Hole + Tap		N Keyway + Tap		V Stepped Hole		Y Both Ends Stepped		H Round Hole		P Round Hole + Tap		N, C Keyway + Tap		V, F Stepped Hole	
				H Round Hole		P Round Hole + Tap		N Keyway + Tap		V Stepped Hole		Y Both Ends Stepped		H Round Hole		P Round Hole + Tap		N, C Keyway + Tap		V, F Stepped Hole	
				H Round Hole		P Round Hole + Tap		N Keyway + Tap		V Stepped Hole		Y Both Ends Stepped		H Round Hole		P Round Hole + Tap		N, C Keyway + Tap		V, F Stepped Hole	
				H Round Hole		P Round Hole + Tap		N Keyway + Tap		V Stepped Hole		Y Both Ends Stepped		H Round Hole		P Round Hole + Tap		N, C Keyway + Tap		V, F Stepped Hole	
				H Round Hole		P Round Hole + Tap		N Keyway + Tap		V Stepped Hole		Y Both Ends Stepped		H Round Hole		P Round Hole + Tap		N, C Keyway + Tap		V, F Stepped Hole	
				H Round Hole		P Round Hole + Tap		N Keyway + Tap		V Stepped Hole		Y Both Ends Stepped		H Round Hole		P Round Hole + Tap		N, C Keyway + Tap		V, F Stepped Hole	
				H Round Hole		P Round Hole + Tap		N Keyway + Tap		V Stepped Hole		Y Both Ends Stepped		H Round Hole		P Round Hole + Tap		N, C Keyway + Tap		V, F Stepped Hole	
				H Round Hole		P Round Hole + Tap		N Keyway + Tap		V Stepped Hole		Y Both Ends Stepped		H Round Hole		P Round Hole + Tap		N, C Keyway + Tap		V, F Stepped Hole	
				H Round Hole		P Round Hole + Tap		N Keyway + Tap		V Stepped Hole		Y Both Ends Stepped		H Round Hole		P Round Hole + Tap		N, C Keyway + Tap		V, F Stepped Hole	
				H Round Hole		P Round Hole + Tap		N Keyway + Tap		V Stepped Hole		Y Both Ends Stepped		H Round Hole		P Round Hole + Tap		N, C Keyway + Tap		V, F Stepped Hole	
				H Round Hole		P Round Hole + Tap		N Keyway + Tap		V Stepped Hole		Y Both Ends Stepped		H Round Hole		P Round Hole + Tap		N, C Keyway + Tap		V, F Stepped Hole	
				H Round Hole		P Round Hole + Tap		N Keyway + Tap		V Stepped Hole		Y Both Ends Stepped		H Round Hole		P Round Hole + Tap		N, C Keyway + Tap		V, F Stepped Hole	
				H Round Hole		P Round Hole + Tap		N Keyway + Tap		V Stepped Hole		Y Both Ends Stepped		H Round Hole		P Round Hole + Tap		N, C Keyway + Tap		V, F Stepped Hole	
				H Round Hole		P Round Hole + Tap		N Keyway + Tap		V Stepped Hole		Y Both Ends Stepped		H Round Hole		P Round Hole + Tap		N, C Keyway + Tap		V, F Stepped Hole	
				H Round Hole		P Round Hole + Tap		N Keyway + Tap		V Stepped Hole		Y Both Ends Stepped		H Round Hole		P Round Hole + Tap		N, C Keyway + Tap		V, F Stepped Hole	
				H Round Hole		P Round Hole + Tap		N Keyway + Tap		V Stepped Hole		Y Both Ends Stepped		H Round Hole		P Round Hole + Tap		N, C Keyway + Tap		V, F Stepped Hole	
				H Round Hole		P Round Hole + Tap		N Keyway + Tap		V Stepped Hole		Y Both Ends Stepped		H Round Hole		P Round Hole + Tap		N, C Keyway + Tap		V, F Stepped Hole	
				H Round Hole		P Round Hole + Tap		N													