



E
P
C

Auto wide sensor

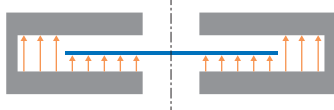
AWE280A

It is an optical web (opaque) position detection sensor and has a wide field of view of 280 mm, so there is no trouble of moving the sensor to the end position of the web every time the web width changes.

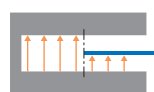
Features

AWE280A can be used both with EPC and CPC (* function with 1 CPC sensor when the web width is 270 mm or less)

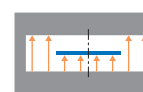
with 2 units CPC



with 1 unit EPC



with 1 unit CPC



Web width up to 270 mm

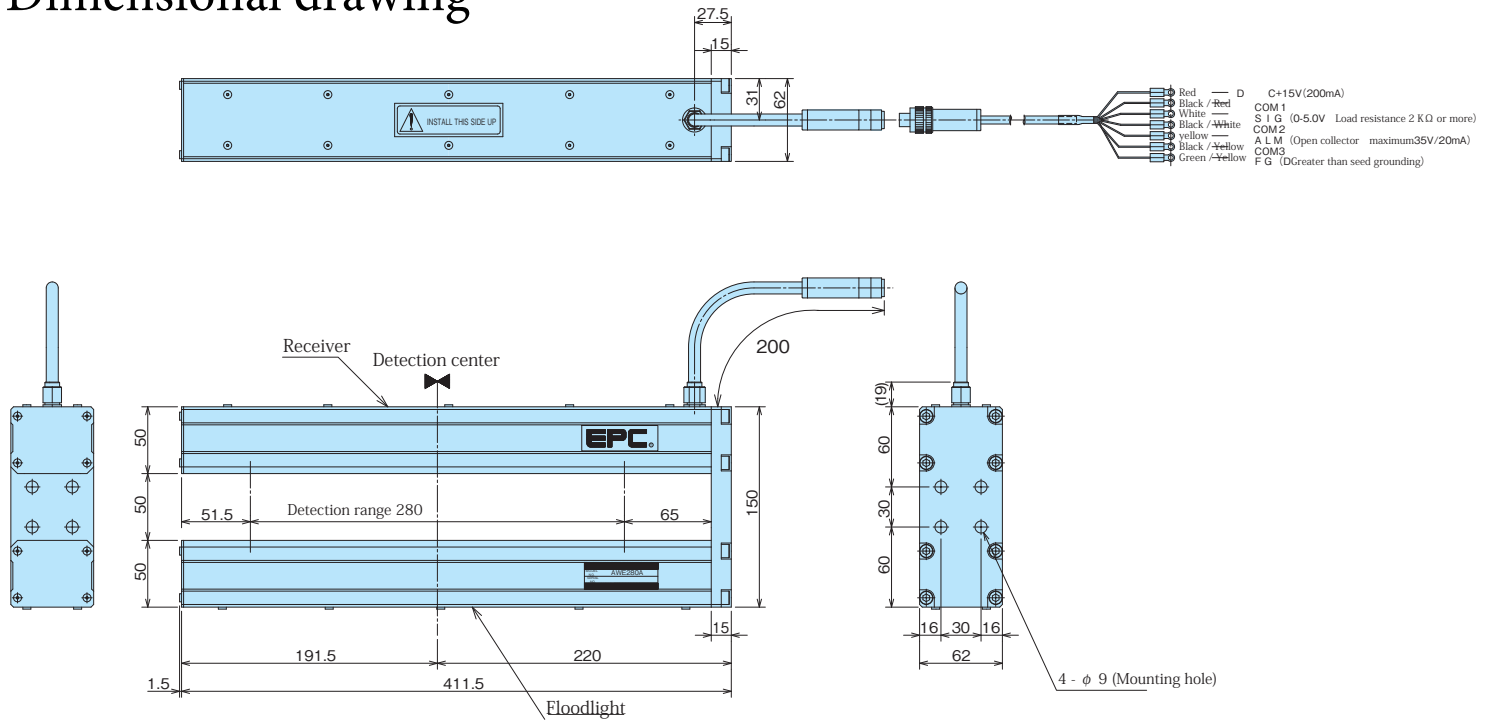
It is possible to detect webs light through such material as cloth etc

It can be used under slight dust and water environment

When detection sensitivity decreases, a warning signal will be outputted

Due to power saving, the power supply box (PS 15X) which was necessary when using 2 conventional products (AWE 280) is not needed.

Dimensional drawing



Auto wide sensor AWE280A Dimensional drawing

Specification

DC power supply	DC+15V (200mA)
Sensor output signal	fully closed DC0V fully open DC + 5 V (load resistance 2 kΩ or more)
Projecting / receiving interval	50mm
Detection field	280mm (Mounting wall standard 80mm ~ 360mm)
Light source	Red chip LED (peak wavelength 660 nm) diffused light source
Detection element	Contact · image · sensor
Resolution	0.042mm / Pixel
Sensor response time	3ms
Ambient temperature and humidity	0~50℃ 35~85%RH (No condensation)
Material	Aluminum alloy (sensor housing) SUS 304 (cover part)
Surface treatment	White alumite (sensor housing) Cover part is untreated
weight	3.8kg
Construction	Protection grade IP54 Equivalent

※ successor for model AWE280. (the outline is compact, cooperation will be the same.)