



TRANSLATION OF THE ORIGINAL

TELSONIC
ULTRASONICS

TECHNICAL DATA

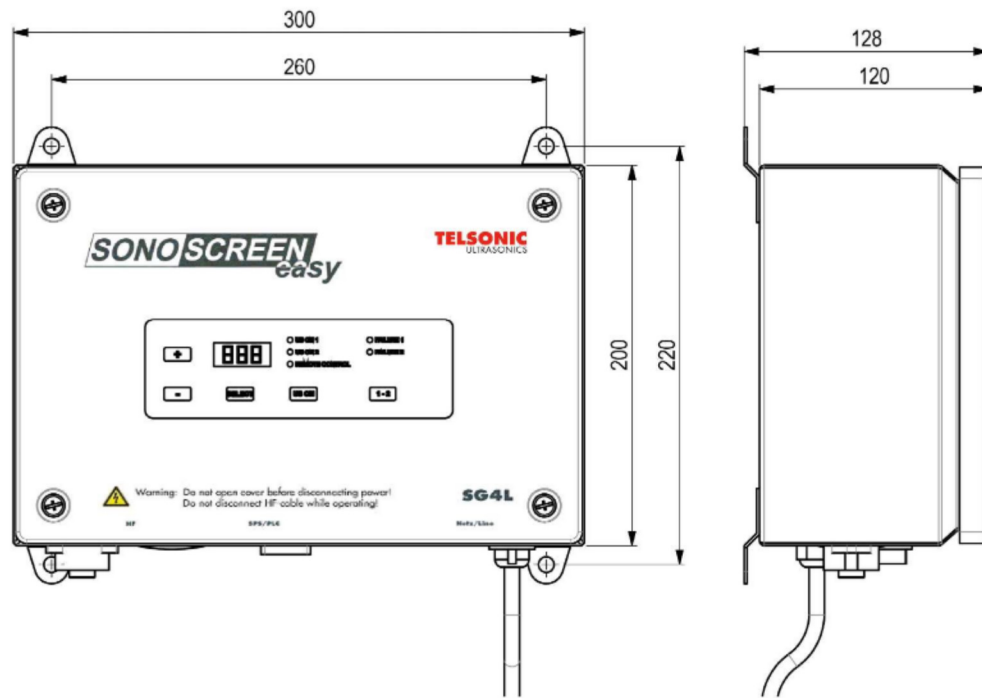
SCREEN GENERATOR SG4L / SG4L TWIN



1 Technical data for the generator SG4L twin

1.1 Scale drawing of the generator SG4L

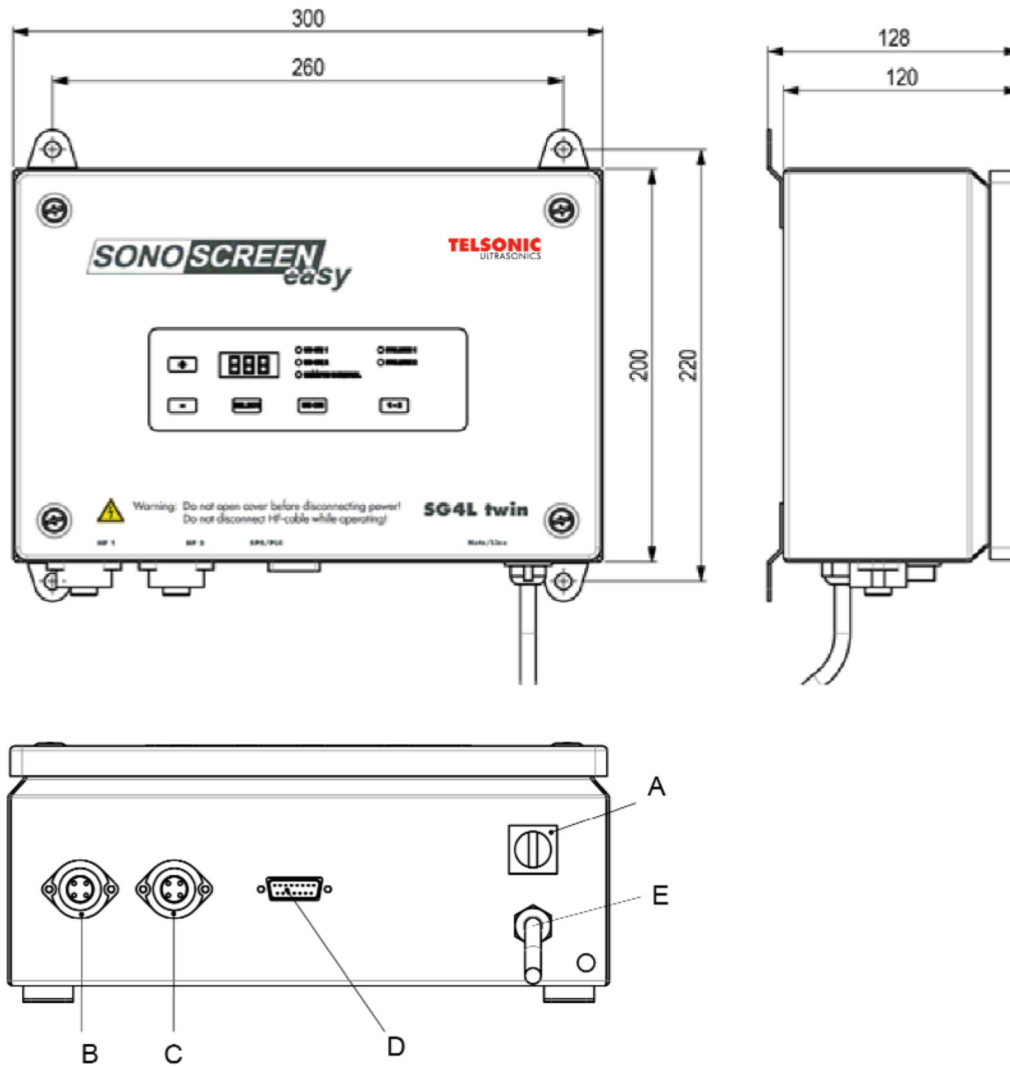
Fig. 1: Scale drawing of the generator SG4L



A	Power switch	C	External interface
B	HF connection	D	Power lead

1.2 Scale drawing of the generator SG4L twin

Fig. 2: Scale drawing of the generator SG4L twin



A	Power switch	D	External interface
B	HF connection 1	E	Power lead
C	HF connection 2		

1.3 Product specification for the generator SG4L / SG4L twin

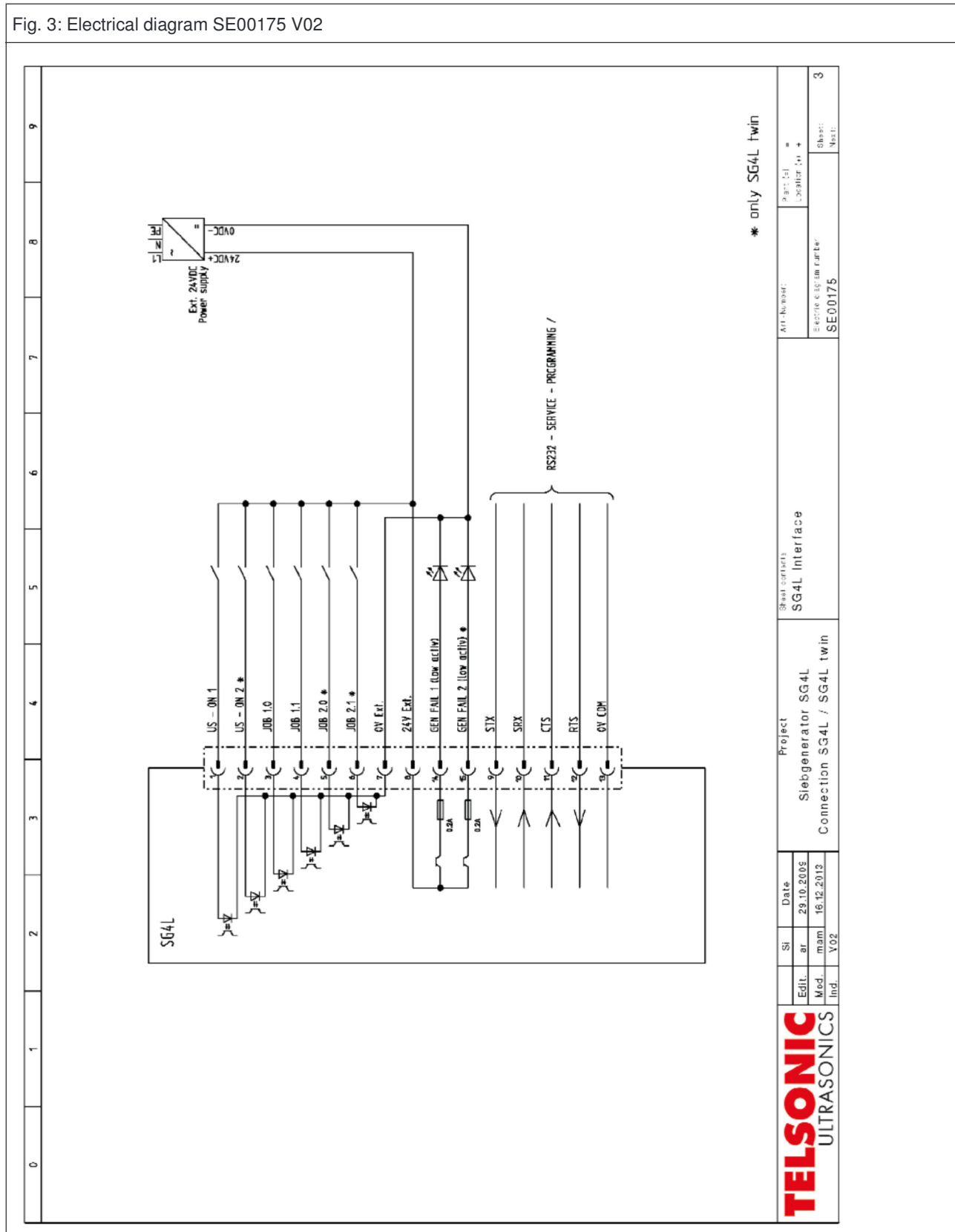
Product name:	<i>SONOSCREEN</i> easy
Type designation:	SG4L / SG4L twin
Output frequency:	33 - 37 kHz
Maximum ultrasonic output:	1 x 100 W / 2 x 100 W 1 x 60 W / 2 x 60 W
Output voltage:	300 V _{eff}
Maximum output current:	1 x (2x) 0.5 A _{eff}
No. of operating modes:	8
Protection class:	IP65
Overvoltage category:	II
Degree of pollution:	3
PLC interface:	US on, job selection, error messages.
Service interface:	RS-232
Certificates:	☸ II 3D Ex tc IIIC T60°C IP65 Dc 0°C < T _{amb} < +35°C / 40°C
Installation data:	
Electrical connection:	180 - 265 VAC, 50-60 Hz or 90 - 132 VAC, 50-60 Hz
Nominal current I_N:	
SG4L 100 W (230 V):	0.66 A
SG4L 80 W (230 V):	1.2 A
SG4L 100 W (110 V):	0.4 A
SG4L 80 W (110 V):	0.72 A
Nominal current I_N:	
SG4L twin 2x100 W (230 V):	1.32 A
SG4L twin 2x80 W (230 V):	0.8 A
SG4L twin 2x100 W (110 V):	2.4 A
SG4L twin 2x80 W (110 V):	1.44 A
Fuses:	2 A (slow)
Minimum supply line fuse protection:	10 A slow-blowing
Space requirements (W x D x H):	300 x 300 x 130 mm

Technical data for the generator SG4L twin

Weight:	
SG4L	4.5 kg
SG4L twin	4.9 kg
HF cable:	3 m, 6 m and 10 m as standard
Ambient temperature:	10°C – 45°C
Max. relative humidity:	80% at 30°C, non-condensing
Operating location:	< 2000 m above sea level

1.4 Electrical diagram for the generator SG4L / SG4L twin

Fig. 3: Electrical diagram SE00175 V02



* only SG4L twin

TELSONIC ULTRASONICS	Si	Date	Project	Sheet contents	Art. Number:	Page: 1 of 1
	Editt. ar	29.10.2009				
	Med. Ind.	16.12.2013	Connection SG4L / SG4L twin		Electric system number:	Sheet: 3
	V02				SE00175	Next:

1.5 Colour coding of the control cable for the SG4L

Pin no.	Colour
1	White
2	Brown
3	Green
4	Yellow
5	Grey
6	Pink
7	Blue
8	Red
14	Black
15	Purple