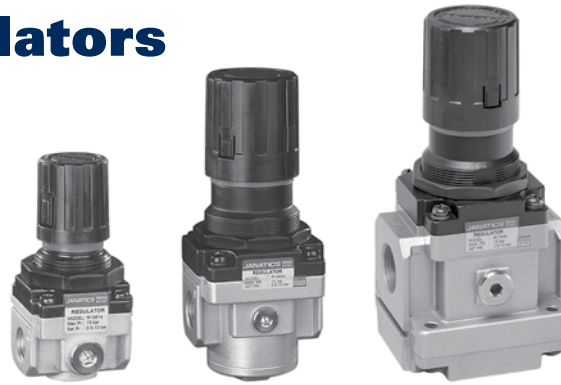


Control Panel Regulators

- Modular design for service & interchangeability
- Non-rising adjustment knob with push-pull lock ring feature
- Small package size and light weight construction
- Competitively priced



MA13

MA14

MA15

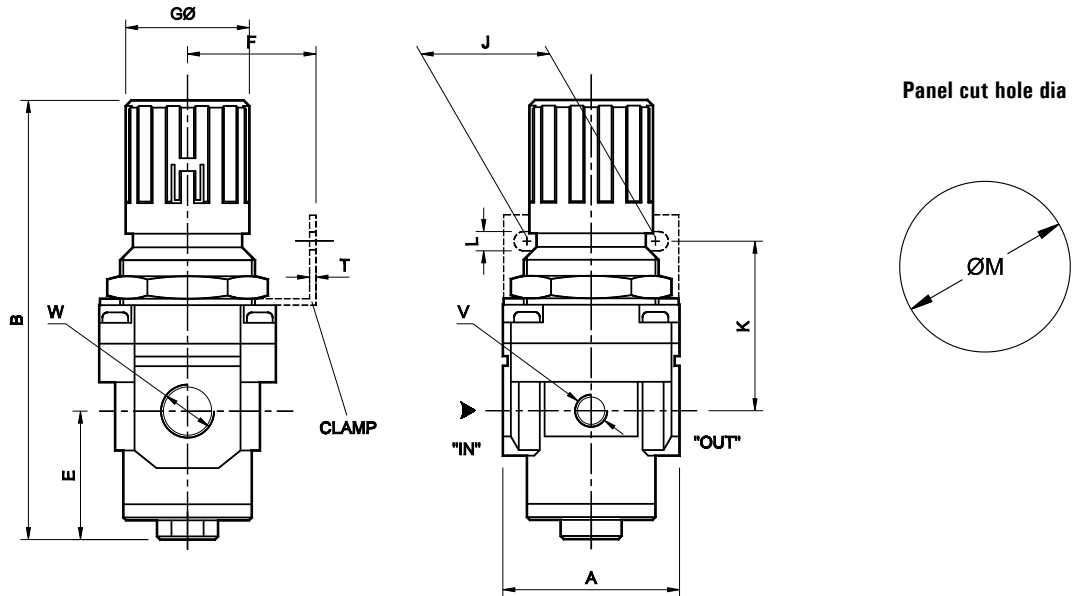
MA17

| Filters | | | | |
|--|--|--|--|---|
| Port Size | 1/8, 1/4" NPT | 1/4, 3/8" NPT | 1/4, 3/8, 1/2" NPT | 3/4, 1" NPT |
| Filtration (micron) | 5μ, 25μ, 50μ | 5μ, 25μ, 50μ | 5μ, 25μ, 50μ | 5μ, 25μ, 50μ |
| Maximum Supply Pressure | 140 PSI (10 BAR)/ 280 PSI (20 BAR) with metal bowl | 140 PSI (10 BAR)/ 280 PSI (20 BAR) with metal bowl | 140 PSI (10 BAR)/ 280 PSI (20 BAR) with metal bowl | 140 PSI (10 BAR)/ 280 PSI (20 BAR) with metal bowl |
| Temperature Range* | 41°–120°F (140°F metal bowl) 5°–50° C (60°C metal bowl) | 41°–120°F (140°F metal bowl) 5°–50° C (60°C metal bowl) | 41°–120°F (140°F metal bowl) 5°–50° C (60°C metal bowl) | 41°–120°F (140°F metal bowl) 5°–50° C (60°C metal bowl) |
| Drain | Manual / Semi-Auto | Manual / Semi-Auto / Auto | Manual / Semi-Auto / Auto | Manual / Semi-Auto / Auto |
| Bowl Capacity oz (ml) | 0.3 oz (9 ml) | 1.1 oz (32 ml) Standard, 1.2 oz (35ml) AD, 2.2 oz (64ml) metal | 1.5 oz (44 ml) Standard, 2.2 oz (65ml) AD, 3.1 oz (90ml) metal | 5.6 oz (165 ml) |
| Flow (based on 85 psi inlet pressure with 40 micron filter) | 15, 28 SCFM (425, 800 lpm) | 27, 78 SCFM (765, 2250 lpm) | 29, 76, 123 SCFM (815, 2185, 3500 lpm) | 175, 228 (5000, 6500 lpm) |
| Regulators | | | | |
| Max. Supply Pressure | 225 PSI (15.5 bar) | 225 PSI (15.5 bar) | 225 PSI (15.5 bar) | 225 PSI (15.5 bar) |
| Flow Capacity at 100 PSIG (6.9 BAR) | 11,21 SCFM (315, 600 lpm) | 61,87 SCFM (1750, 2500 lpm) | 80,118, 140 SCFM (2280, 4764, 4000 lpm) | 175, 228 SCFM (5000, 6000 lpm) |
| Output Pressure Ranges | 0-10 psig (0-0.69 BAR) | 0-10 psig (0-0.69 BAR) | 0-10 psig (0-0.69 BAR) | 0-10 psig (0-0.69 BAR) |
| | 3-30 psig (0-2.1 BAR) | 3-30 psig (0-2.1 BAR) | 3-30 psig (0-2.1 BAR) | 3-30 psig (0-2.1 BAR) |
| | 3-60 psig (0-4.1 BAR) | 3-60 psig (0-4.1 BAR) | 3-60 psig (0-4.1 BAR) | 3-60 psig (0-4.1 BAR) |
| | 7-140 psig (0-9.6 BAR) | 7-140 psig (0-9.6 BAR) | 7-140 psig (0-9.6 BAR) | 7-140 psig (0-9.6 BAR) |
| Temperature Range | 41°–140° F / 5°–60° C | 41°–140° F / 5°–60° C | 41°–140° F / 5°–60° C | 41°–140° F / 5°–60° C |
| Port Size | 1/8, 1/4" NPT | 1/8, 3/8" NPT | 1/8, 3/8, 1/2" NPT | 3/4, 1" NPT |
| Mounting Options | Pipe, Panel or Bracket | Pipe, Panel or Bracket | Pipe, Panel or Bracket | Pipe, Panel or Bracket |
| Filter-Regulators | | | | |
| Port Size | 1/8, 1/4" NPT | 1/4, 3/8" NPT | 1/4, 3/8, 1/2" NPT | 3/4, 1" NPT |
| Filtration (micron) | 5μ, 25μ, 40μ | 5μ, 25μ, 40μ | 5μ, 25μ, 40μ | 5μ, 25μ, 40μ |
| Maximum Supply Pressure | 140 PSI (10 BAR)/ 280 PSI (20 BAR) with metal bowl | 140 PSI (10 BAR)/ 280 PSI (20 BAR) with metal bowl | 140 PSI (10 BAR)/ 280 PSI (20 BAR) with metal bowl | 140 PSI (10 BAR)/ 280 PSI (20 BAR) with metal bowl |
| Temperature Range* | 41°–120°F (140°F metal bowl) 5°–50° C (60° C metal bowl) | 41°–120°F (140°F metal bowl) 5°–50° C (60° C metal bowl) | 41°–120°F (140°F metal bowl) 5°–50° C (60° C metal bowl) | 41°–120°F (140°F metal bowl) |
| Drain | Manual / Semi-Auto | Manual / Semi-Auto / Auto | Manual / Semi-Auto / Auto | Manual / Semi-Auto / Auto |
| Bowl Capacity oz (ml) | 0.3 oz (9 ml) | 1.1 oz (32 ml) Standard, 1.2 oz (35ml) AD, 2.2 oz (64ml) metal | 2.2 oz (65ml) AD, 3.1 oz (90ml) metal | 5.6 oz (165 ml) |
| Output Pressure Ranges | 0-10 psig (0-0.69 BAR) | 0-10 psig (0-0.69 BAR) | 0-10 psig (0-0.69 BAR) | 0-10 psig (0-0.69 BAR) |
| | 3-30 psig (0-2.1 BAR) | 3-30 psig (0-2.1 BAR) | 3-30 psig (0-2.1 BAR) | 3-30 psig (0-2.1 BAR) |
| | 3-60 psig (0-4.1 BAR) | 3-60 psig (0-4.1 BAR) | 3-60 psig (0-4.1 BAR) | 3-60 psig (0-4.1 BAR) |
| | 7-140 psig (0-9.6 BAR) | 7-140 psig (0-9.6 BAR) | 7-140 psig (0-9.6 BAR) | 7-140 psig (0-9.6 BAR) |
| Flow (based on 100 psi inlet pressure with 40 micron filter) | 8.8, 19.3 SCFM (250, 550 lpm) | 25, 63 SCFM (725, 1800 lpm) | 32, 81, 105 SCFM (915, 2300, 3000 lpm) | 210 SCFM (6000 lpm)/ 228 SCFM (6800 lpm) STD, metal/ 212 SCFM(6000 lpm)/ 214 SCFM(6000 lpm) AUTO |

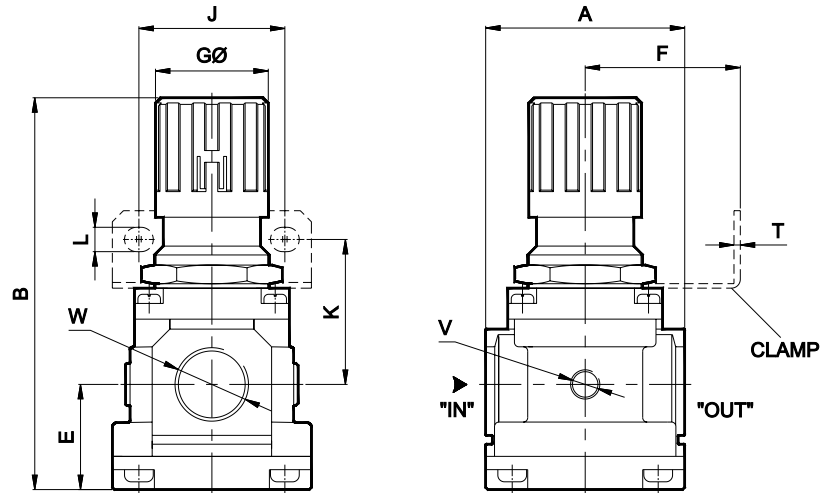
* Metal Bowls have a higher temp. range; (41°–140° F / 5°–60° C)

Regulator - Series MA

Model MA13R, MA14R, MA15R



Model MA17R

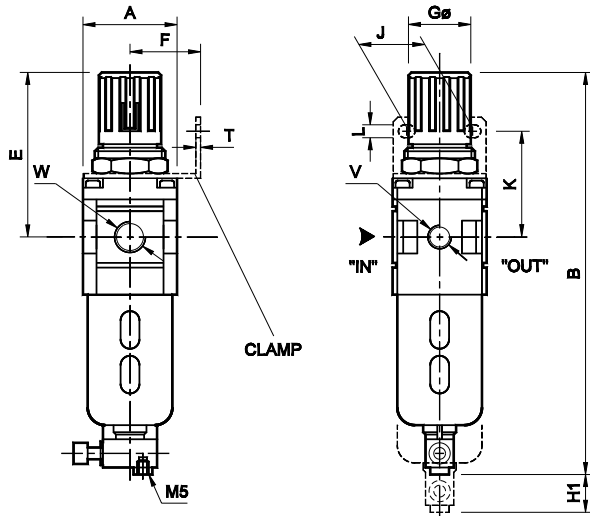


| MODEL | W | V | | A | B | E | F | GØ | J | K | L | T | ØM |
|-------------|--|----------------|-----------|---------------|-------------|-------------|------------|------------|------------|------------|-------------|-----------|------------|
| MA13 | NPT 1/8 (G1/8) NPT 1/4 (G1/4) | NPT 1/8 (G1/8) | Inch (mm) | SQ 1.575 (40) | 3.189 (81) | 0.512 (13) | 1.181 (30) | 1.102 (28) | 1.102 (28) | 1.771 (45) | 0.216 (5.5) | 0.079 (2) | 1.22 (31) |
| MA14 | NPT 1/4 (G1/4) NPT 3/8 (G3/8) | NPT 1/8 (G1/8) | Inch (mm) | SQ 2.165 (55) | 5.315 (135) | 1.575 (40) | 1.574 (40) | 1.574 (40) | 1.574 (40) | 2.087 (53) | 0.256 (6.5) | 0.079 (2) | 1.693 (43) |
| MA15 | NPT 1/4 (G1/4) NPT 3/8 (G3/8) NPT 1/2 (G1/2) | NPT 1/8 (G1/8) | Inch (mm) | SQ 2.756 (70) | 6.496 (165) | 1.575 (40) | 1.968 (50) | 2.008 (51) | 2.165 (55) | 2.441 (62) | 0.335 (8.5) | 0.079 (2) | 2.087 (53) |
| MA17 | NPT 3/4 (G3/4) | NPT 1/4 (G1/4) | Inch (mm) | SQ 3.543 (90) | 6.969 (177) | 1.87 (47.5) | 2.756 (70) | 2.008 (51) | 2.598 (66) | 2.560 (65) | 0.433 (11) | 0.197 (5) | 2.087 (53) |
| MA17 | NPT 1 (G1) | NPT 1/4 (G1/4) | Inch (mm) | SQ 3.543 (90) | 6.969 (177) | 1.87 (47.5) | 2.756 (70) | 2.008 (51) | 2.598 (66) | 2.560 (65) | 0.433 (11) | 0.197 (5) | 2.087 (53) |

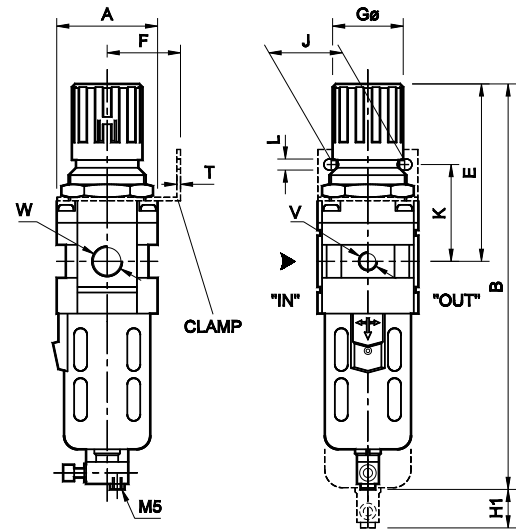
For Details of Clamp see optional accessories

Filter Regulator Combination - Series MA

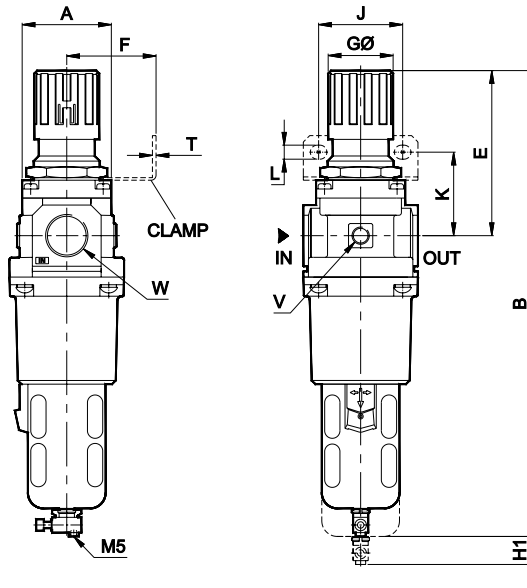
Model MA13FR



Model MA14FR, MA15FR



Model MA17FR

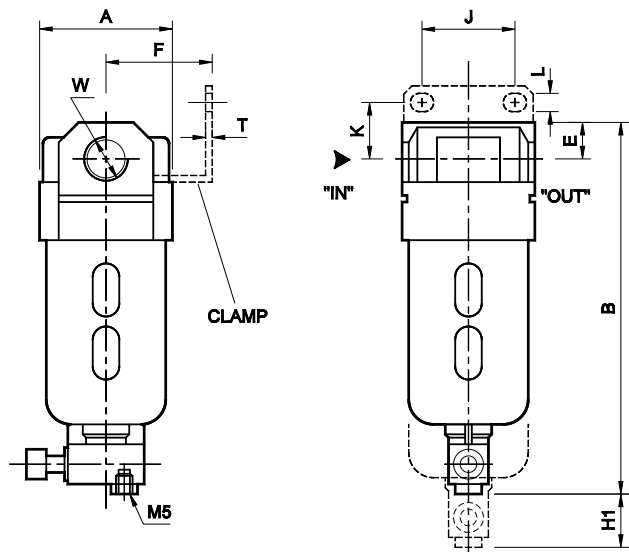


| MODEL | W | V | | A | B | E | F | K | GØ | J | L | T | H1 |
|-------|--|----------------|-----------|---------------|-------------|------------|------------|------------|------------|------------|-------------|-----------|------------|
| MA13 | NPT 1/8 (G1/8) NPT 1/4 (G1/4) | NPT 1/8 (G1/8) | Inch (mm) | SQ 1.575 (40) | 6.69 (170) | 2.68 (68) | 1.181 (30) | 1.771 (45) | 1.102 (28) | 1.102 (28) | 0.216 (5.5) | 0.079 (2) | 1.968 (50) |
| MA14 | NPT 1/4 (G1/4) NPT 3/8 (G3/8) | NPT 1/8 (G1/8) | Inch (mm) | SQ 2.165 (55) | 8.66 (220) | 3.74 (95) | 1.574 (40) | 2.087 (53) | 1.574 (40) | 1.574 (40) | 0.256 (6.5) | 0.079 (2) | 2.165 (55) |
| MA15 | NPT 1/4 (G1/4) NPT 3/8 (G3/8) NPT 1/2 (G1/2) | NPT 1/8 (G1/8) | Inch (mm) | SQ 2.756 (70) | 11.02 (280) | 4.92 (125) | 1.968 (50) | 2.441 (62) | 2.008 (51) | 2.165 (55) | 0.335 (8.5) | 0.079 (2) | 3.15 (80) |
| MA17 | NPT 3/4 (G3/4) | NPT 1/4 (G1/4) | Inch (mm) | SQ 3.543 (90) | 14.57 (370) | 5.12 (130) | 2.756 (70) | 2.560 (65) | 2.008 (51) | 2.598 (66) | 0.433 (11) | 0.197 (5) | 3.15 (80) |
| MA17 | NPT 1 (G1) | NPT 1/4 (G1/4) | Inch (mm) | SQ 3.543 (90) | 14.57 (370) | 5.12 (130) | 2.756 (70) | 2.560 (65) | 2.008 (51) | 2.598 (66) | 0.433 (11) | 0.197 (5) | 3.15 (80) |

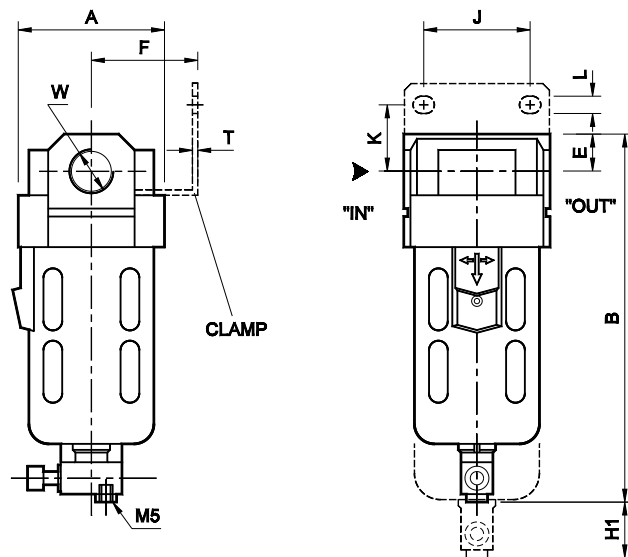
For Details of Clamp see optional accessories

Filter - Series MA

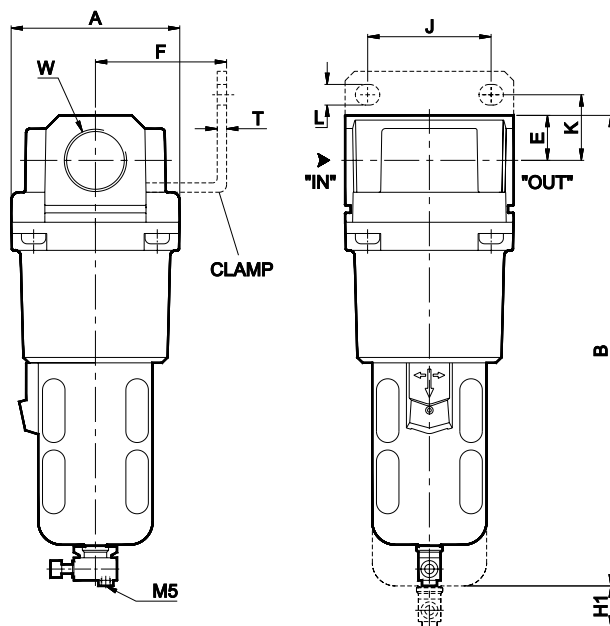
Model MA13F



Model MA14F, MA15F



Model MA17F



| MODEL | W | | A | B | E | K | F | J | L | T | H1 |
|-------|--|-----------|---------------|--------------|-----------|-----------|------------|------------|-------------|-----------|------------|
| MA13 | NPT 1/8 (G1/8) NPT 1/4 (G1/4) | Inch (mm) | SQ 1.575 (40) | 4.449 (113) | 0.43 (11) | 0.59 (15) | 1.181 (30) | 1.102 (28) | 0.216 (5.5) | 0.079 (2) | 1.968 (50) |
| MA14 | NPT 1/4 (G1/4) NPT 3/8 (G3/8) | Inch (mm) | SQ 2.165 (55) | 5.512 (140) | 0.55 (14) | 0.98 (25) | 1.575 (40) | 1.575 (40) | 0.256 (6.5) | 0.079 (2) | 2.165 (55) |
| MA15 | NPT 1/4 (G1/4) NPT 3/8 (G3/8) NPT 1/2 (G1/2) | Inch (mm) | SQ 2.756 (70) | 6.772 (172) | 0.71 (18) | 0.98 (25) | 1.968 (50) | 2.165 (55) | 0.335 (8.5) | 0.079 (2) | 3.15 (80) |
| MA17 | NPT 3/4 (G3/4) | Inch (mm) | SQ 3.543 (90) | 10.236 (260) | 0.95 (24) | 1.38 (35) | 2.756 (70) | 2.598 (66) | 0.433 (11) | 0.196 (5) | 3.15 (80) |
| MA17 | NPT 1 (G1) | Inch (mm) | SQ 3.543 (90) | 10.236 (260) | 0.95 (24) | 1.38 (35) | 2.756 (70) | 2.598 (66) | 0.433 (11) | 0.196 (5) | 3.15 (80) |

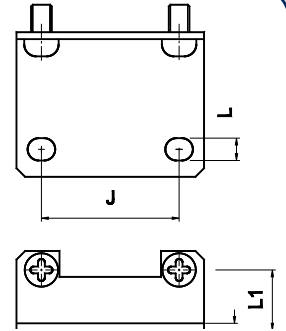
For Details of Clamp see optional accessories

Accessories - Clamps

Clamp for filter, Lubricator



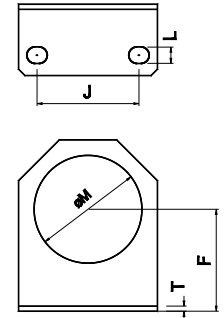
| MODEL | | J | L | L1 | T | ORDERING NO. |
|-------|------|-------|-------|-------|-------|--------------|
| MA13 | Inch | 1.102 | 0.216 | 0.551 | 0.079 | MA13FB |
| | mm | 28 | 5.5 | 14 | 2 | |
| MA14 | Inch | 1.575 | 0.256 | 0.69 | 0.079 | MA14FB |
| | mm | 40 | 6.5 | 17.5 | 2 | |
| MA15 | Inch | 2.165 | 0.335 | 0.87 | 0.079 | MA15FB |
| | mm | 55 | 8.5 | 22 | 2 | |
| MA17 | Inch | 2.60 | 0.43 | 1.30 | 0.20 | MA17FB |
| | mm | 66 | 11 | 33 | 5 | |



Clamp for Regulator

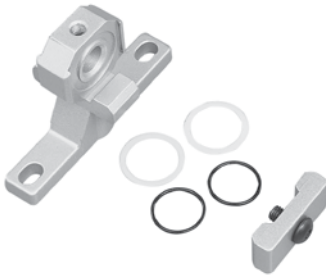


| MODEL | | ØM | F | L | J | T | ORDERING NO. |
|-------|------|-------|-------|-------|-------|-------|--------------|
| MA13 | Inch | 1.2 | 1.181 | 0.216 | 1.102 | 0.079 | MA13RB |
| | mm | 30.5 | 30 | 5.5 | 28 | 2 | |
| MA14 | Inch | 1.673 | 1.575 | 0.256 | 1.575 | 0.079 | MA14RB |
| | mm | 42.5 | 40 | 6.5 | 40 | 2 | |
| MA15 | Inch | 2.067 | 1.968 | 0.335 | 2.165 | 0.079 | MA15RB |
| | mm | 52.5 | 50 | 8.5 | 55 | 2 | |
| MA17 | Inch | 2.067 | 2.756 | 0.433 | 2.598 | 0.197 | MA17RB |
| | mm | 52.5 | 70 | 11 | 66 | 5 | |

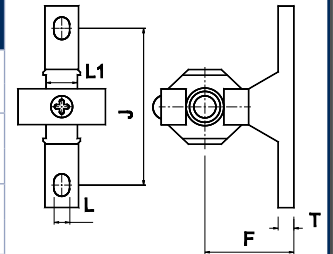


Accessories - for Modular Construction

Wall Mounting Bracket



| MODEL | | L1 | J | L | F | T | ORDERING NO. |
|-------|------|-------|-------|-------|-------|-------|--------------|
| MA13 | Inch | 0.472 | 1.968 | 0.275 | 1.378 | 0.275 | A2W01 |
| | mm | 12 | 50 | 7 | 36 | 7 | |
| MA14 | Inch | 0.551 | 2.756 | 0.275 | 1.772 | 0.275 | A2W02 |
| | mm | 14 | 70 | 7 | 45 | 7 | |
| MA15 | Inch | 0.63 | 3.543 | 0.354 | 2.165 | 0.354 | A2W03 |
| | mm | 16 | 90 | 9 | 55 | 9 | |
| MA17 | Inch | 0.59 | 3.94 | 0.472 | 2.76 | 0.39 | A2W04 |
| | mm | 15 | 100 | 12 | 70 | 10 | |



How to Order: Mention the ordering number required
Example: Wall Mounted Bracket for 3/8 Filer, Regulator, Lubricator Series F14, R14, L14 : Ordering no: A2W02

| REPLACEMENT FILTERS | | |
|---------------------|--------------------------|-------------|
| Description | | Part Number |
| MA13 | 5 Micron Filter Element | MA13FK05 |
| MA13 | 25 Micron Filter Element | MA13FK25 |
| MA13 | 50 Micron Filter Element | MA13FK50 |
| MA14 | 5 Micron Filter Element | MA14FK05 |
| MA14 | 25 Micron Filter Element | MA14FK25 |
| MA14 | 50 Micron Filter Element | MA14FK50 |
| MA15 | 5 Micron Filter Element | MA15FK05 |
| MA15 | 25 Micron Filter Element | MA15FK25 |
| MA15 | 50 Micron Filter Element | MA15FK50 |
| MA17 | 5 Micron Filter Element | MA17FK05 |
| MA17 | 25 Micron Filter Element | MA17FK25 |
| MA17 | 50 Micron Filter Element | MA17FK50 |

P350 Series Stainless & Aluminum Filters

The P350 series filters are high pressure units usually not for use directly on the pilot, but rather utilized on the tap out from a high pressure line. The sooner the medium is cleaned before moving toward the pilot operation, the less chance of debris and moisture clogging input lines and filters upstream of the high pressure supply.

The maximum inlet pressure for the Stainless version is 4,000 PSIG while the Aluminum version is 2,150 PSIG.

The P350 filter can be found in Tab 5.

