

ELESA Original design DD51

2 Installation (front view)

- AN** Counter above on the chamfer
- AR** Counter below on the chamfer
- FN** Counter above in front
- FR** Counter below in front

3 Type

- R** Numbers ascending clockwise
- L** Numbers ascending anti-clockwise



1 Counter

Counter	indication after 1 spindle revolution	corresponds to thread pitch	max. revolutions per minute
00.50	0050	0,5	500
01.00	0100	1	250
001.0	0010	1	1500
001.25	0012	1,25	1500
001.5	0015	1,5	1500
002.0	0020	2	1250
002.5	0025	2,5	1000
003.0 *	0030	3	830
004.0 **	0040	4	625
005.0	0050	5	500
006.0	0060	6	415
008.0	0080	8	315
010.0	0100	10	250

* Suitable for linearer actuators GN 291 ff. Ø 18 ** Suitable for linearer actuators GN 291 ff. Ø 30

Specification

- Housing
Plastic (Polyamide PA)
- orange, RAL 2004
- Numbers white,
Number wheels for integers black,
decimals red with additional scale
- Hollow shaft steel, blackened



- temperature resistant up to 80 °C
- oil and solvent proof
- RoHS

On request

- Stainless Steel-Hollow shaft
- Position indicators GN 954 with locking lever to prevent accidental change

Information

Position indicators GN 954 are fitted with a direct drive counter with digital read out. Both housing sections are ultrasonically welded. This makes the housing particularly compact and stable.

The moss rubber seal prevents the transmission of vibration to the counter and also acts as a seal. The numbers are easily legible, which is assisted by the magnifying effect of the safety sight glass.

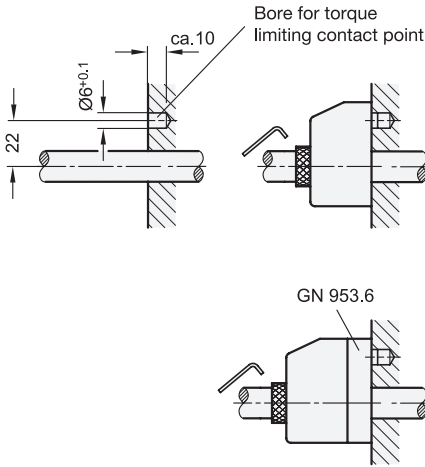
see also...

- *More information to position indicators* → Page 294
- *Adapter bushings GN 952.1 (for position indicators)* → Page 306
- *Control knobs GN 957 (for position indicators)* → Page 307
- *Clamping plates GN 954.6 (for position indicators)* → Page 308

How to order

GN 954-001.0-FN-R-GR

- 1 Counter**
- 2 Installation (front view)**
- 3 Type**
- 4 Color**



Installation instructions

Before installation of the position indicator a bore for the torque limiting contact point is to be placed.

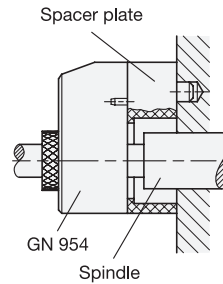
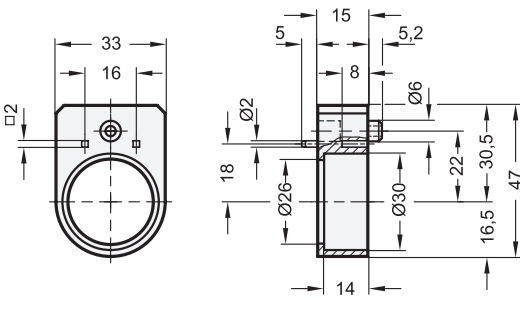
With the **adapter bushings GN 952.1** → Page 306, the hollow shaft (with Bore 14 H7) of the position indicator can be adapted to fit the spindle.

The mounting of the position indicator is via the torque limiting contact point which is connected to the hollow spindle and secured with a grub screw.

Before completing the installation, turn the spindle to the starting point (0) position and zero the position indicator.

With **clamping plates GN 954.6** → Page 308, spindles can be clamped and secured after adjusting.

GN 954.1 | Spacer plate



Specification

- Plastic (Polyamide PA) black, matte
- RoHS



Information

The spacer plate GN 954.1 in combination with the position indicators GN 954 are used to bridge the shaft shoulders, set collars and so on.

The square bore holes are used for the machine-side fastening with e.g. socket button head self-tapping screws in accordance with DIN ISO 7049.

How to order
GN 954.1