

INSTALLATION GUIDE

NI PS-14/15/16/17 Panel Mount Brackets

This document provides the installation procedure for the NI PS-14/15/16/17 Panel Mount Brackets. Use accessory 199432-01 to mount NI PS-14/15/16/17 power supplies without using a DIN-Rail.

Bracket and Mounting Dimensions

This section provides dimensions for the brackets and the finished assemblies when the brackets are attached to the power supply. Table 1 provides a summary of the dimensions when the panel mount brackets are mounted to a specific power supply, and Figure 1 provides a visual representation for quick reference. The *Unit* column lists the available power supplies. The *A* column provides width dimensions for each power supply. The *B* column provides the distance between the center of a bracket to the outside edge of the specified power supply when properly installed. The *C* column provides the distance between the center of each bracket when installed properly onto a specified power supply.

Table 1. Bracket/Power Supply Assembly Dimensions

Unit	A	B	C
NI PS-14	32 mm	4.8 mm	22.5 mm
NI PS-15	32 mm	4.8 mm	22.5 mm
NI PS-16	60 mm	5.8 mm	48.5 mm
NI PS-17	82 mm	8.0 mm	66.0 mm

Figure 1 shows the constants and variables of a unit equipped with the panel mount brackets as viewed from the front. The A , B , and C dimensions are dependent upon the power supply used, and those dimensions are available in Table 1. All measurements are in millimeters.

Figure 1. Assembly Dimension Variables

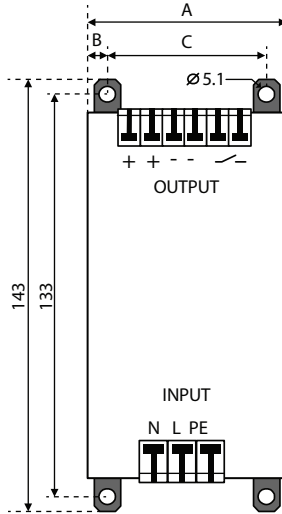
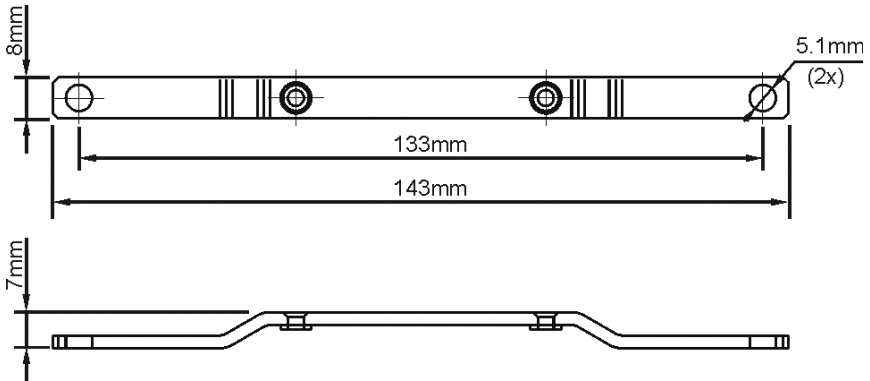


Figure 2 provides the dimensions for each bracket.

Figure 2. Panel Mount Bracket Dimensions



Weight 25 g (0.06 lb) each
 50 g (0.11 lb) for one set

Assembly and Mounting Instructions

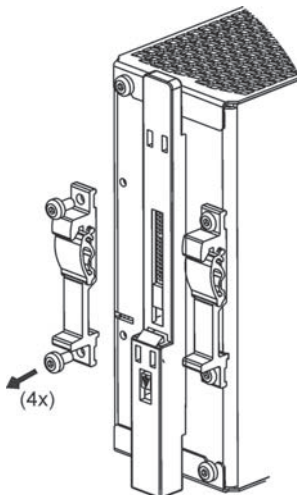
Complete the following steps to mount the panel mount brackets to a power supply.



Note The two aluminum brackets and the black plastic slide must be removed from the units to allow mounting of the zinc-plated steel brackets.

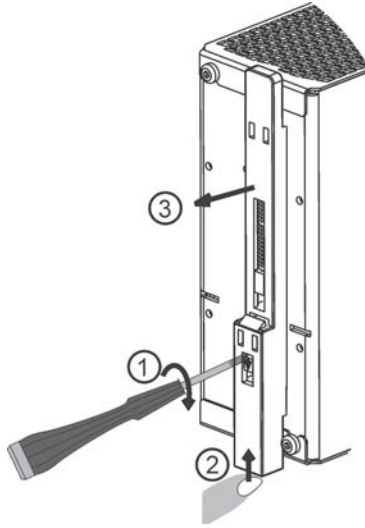
1. Detach the two aluminum brackets by removing the four screws with a Torx 10 screwdriver, as shown in Figure 3.

Figure 3. Removing the Aluminum Brackets



- Remove the plastic lock mechanism with a flathead screwdriver to move the lock downward while at the same time pushing the plastic slider upwards. Detach the plastic slider, as shown in Figure 4.

Figure 4. Removing the Plastic Slider



Caution Do not over-tighten the screws. The recommended tightening torque is 0.6 Nm/5.3 lb in.

3. Mount the steel brackets with the same screws from the DIN-Rail brackets as shown in Figure 5.

Figure 5. Mounting the Steel Brackets

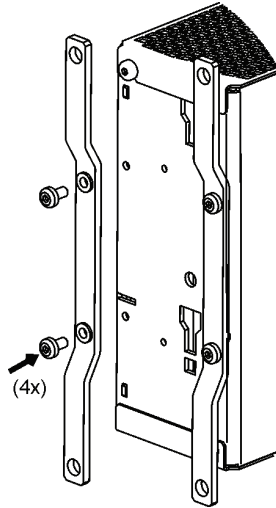
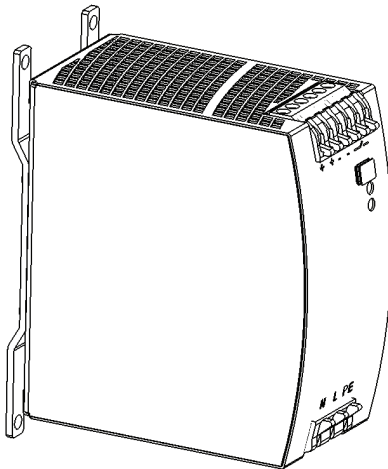


Figure 6 provides a view of the assembly as it should appear when complete.

Figure 6. Power Supply with Panel Mount Brackets Installed



Worldwide Support and Services

The National Instruments website is your complete resource for technical support. At ni.com/support you have access to everything from troubleshooting and application development self-help resources to email and phone assistance from NI Application Engineers.

Visit ni.com/services for NI Factory Installation Services, repairs, extended warranty, and other services.

Visit ni.com/register to register your National Instruments product. Product registration facilitates technical support and ensures that you receive important information updates from NI.

National Instruments corporate headquarters is located at 11500 North Mopac Expressway, Austin, Texas, 78759-3504. National Instruments also has offices located around the world. For telephone support in the United States, create your service request at ni.com/support or dial 512 795 8248. For telephone support outside the United States, visit the Worldwide Offices section of ni.com/niglobal to access the branch office websites, which provide up-to-date contact information, support phone numbers, email addresses, and current events.

Refer to the *NI Trademarks and Logo Guidelines* at ni.com/trademarks for more information on National Instruments trademarks. Other product and company names mentioned herein are trademarks or trade names of their respective companies. For patents covering National Instruments products/technology, refer to the appropriate location: **Help»Patents** in your software, the `patents.txt` file on your media, or the *National Instruments Patents Notice* at ni.com/patents. You can find information about end-user license agreements (EULAs) and third-party legal notices in the `readme` file for your NI product. Refer to the *Export Compliance Information* at ni.com/legal/export-compliance for the National Instruments global trade compliance policy and how to obtain relevant HTS codes, ECCNs, and other import/export data.

© 2009–2013 National Instruments. All rights reserved.