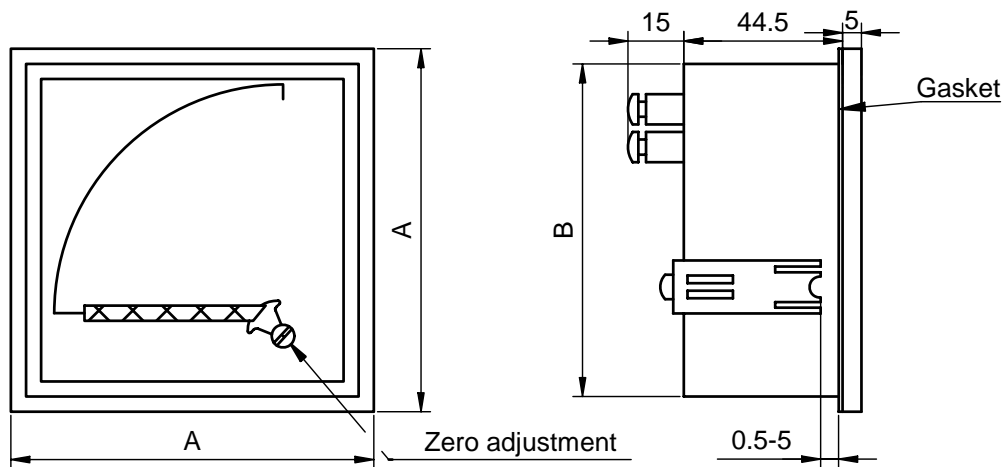
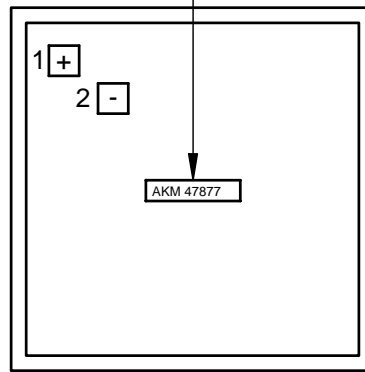


No	Qty.	Type of revision	Date	Intro.	Appr.
6	1	Redrawn	97-04-02	PL	
7	1	Wiring diagram removed, see TD111.	01-05-17	Pal	
8	1	Installation instruction added.	01-10-23	Pal	
9	1	Added 47877-4 to -7.	09-01-15	CE	

Marked with AKM 47877



Installation instruction

1. Connect Remote indicator and Power supply 48450 to thermometer series 34/35 (see wiring diagram TD111 or TD119) or Transmitter 46890 (see wiring diagram 46890).
2. Compare local and remote indication.
3. In case of deviation, adjust the remote indicator with the screw at the front.

Accuracy $\pm 1,5\%$
Protective class IP 54

Drawing no.	A	B	Scale
47877	96 x 96	92 x 92	$\begin{matrix} +0.8 \\ -0.0 \end{matrix}$ 0-150 °C, input 4-20mA
47877-1	144 x 144	138 x 138	$\begin{matrix} +1.0 \\ -0.0 \end{matrix}$ 0-150 °C, input 4-20mA
47877-2	96 x 96	92 x 92	$\begin{matrix} +0.8 \\ -0.0 \end{matrix}$ -20/0/130 °C, input 4-20mA
47877-3	96 x 96	92 x 92	$\begin{matrix} +0.8 \\ -0.0 \end{matrix}$ 0-160 °C, input 4-20mA
47877-4	96 x 96	92 x 92	$\begin{matrix} +0.8 \\ -0.0 \end{matrix}$ 0-150 °C, input 0 -5 mA
47877-5	96 x 96	92 x 92	$\begin{matrix} +0.8 \\ -0.0 \end{matrix}$ -40 to 120 °C, input 4-20mA
47877-6	96 x 96	92 x 92	$\begin{matrix} +0.8 \\ -0.0 \end{matrix}$ -40 to 200 °C, input 4-20mA
47877-7	144 x 144	138 x 138	$\begin{matrix} +0.8 \\ -0.0 \end{matrix}$ 0-160 °C, input 4-20mA

Item ref.	Qty.	Name	Material	Mod.-no Blank Dimension	Anm.
Designed by	Drawn by	Approved by	Weight	Scale	Replace
	P.L			1:2	
				File	Date
<h1>Remote indicator</h1>				47877.dft	09-01-15
				Drawing no	47877