

Nickel-Plated Brass Push-In Fittings BSP/Metric Series 6000

Tube Diameter OD: 3, 4, 5, 6, 8, 10, 12, 14, 16 mm

Thread Type: Metric (M3, M5, M6, M7) BSP (G1/8, G1/4, G3/8, G1/2, G3/4) with Sprint® reusable PTFE/Teflon Seal or Spot-Face O-ring Seal, BSPT (R1/8, R1/4, R3/8, R1/2) with Sprint® reusable PTFE/Teflon Thread Seal



Sprint® fittings are designed to allow assembly with all female thread forms, BSP, GAS, "G" and "R" types. The new model is interchangeable with tapered thread fittings, both BSPT and BSPP. The special sealing method has a locking effect similar to that of other tapered threads. The sealing ring is made of PTFE (Teflon®), is not subject to wear, and can be used repeatedly. Nylon, aluminum and washers of other materials can be replaced, eliminating the need for a "spot face" and thus reducing the fitting size. Sealing is achieved on inclined, concave and convex surfaces.

Spot-Face O-Ring fittings are available in 32 different models. The sealing ring (O-ring) can be easily replaced if it is damaged or should the rubber compound from which it is made wear with time.

Micro fittings are constructed in 14 different models. The sealing ring (O-Ring) can be easily replaced if it is damaged or should the rubber compound from which it is made wear with time.

Connection and disconnection of the tube can be repeated several times and can be performed using one hand and without the use of tools.

Sprint®

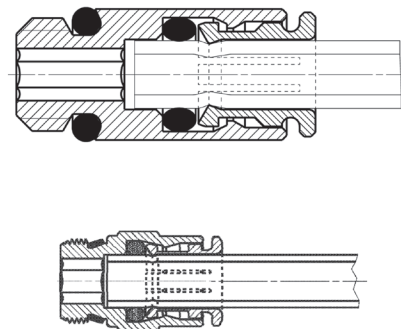
Sprint® Torque Specifications

Thread Size	Minimum Torque		Maximum Torque	
	N-m	lb-ft	N-m	lb-ft
M5 [10-32 UNF]	0.200	0.148	2.000	1.475
1/8 NPTF or BSP	1.000	0.738	10.000	7.376
1/4 NPTF or BSP	4.000	2.950	20.000	14.751
3/8 NPTF or BSP	5.000	3.688	20.000	14.751
1/2 NPTF or BSP	8.000	5.900	40.000	29.502

GENERAL DATA

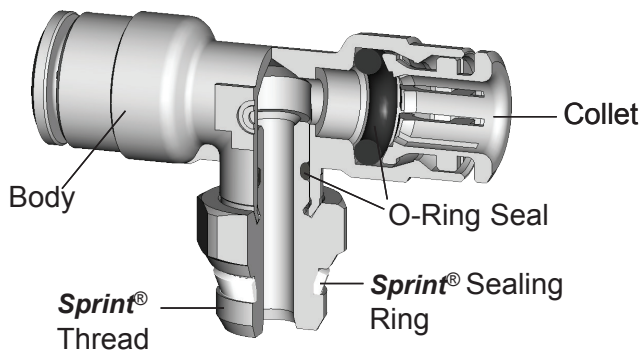
Material	body and collet: nickel-plated brass, (UNI 5705 OT58) O-Ring: NBR; Viton, low temperature NBR, and EPDM available on request thread seal: PTFE - NBR - PA
Threads	series 6000 Micro: M3 - M5 - M7 - G1/8 - G1/4 series 6000: GAS conical ISO 7 (BSPT), GAS cylindrical ISO 228 (BSP) M5-M6 and other metric threads available on request NPT on request
Pressure	min -0,9 bar - max 16 bar (28" Hg vacuum to 250 psi) (see tubing)
Tube to connect	Nylon 6, 11 or 12, polyethylene, PU, Hytrel Polyester
Diameters	series 6000 Micro: ø 3 - 4 - 6 - 8 - 10 mm series 6000: ø 4 - 5 - 6 - 8 - 10 - 12 - 14 - 16 mm
Fluid	compressed air (for other types of fluid, contact our engineers)
Temperature	series 6000 Micro: -10°C - 80°C (14 F to 175 F) (see data for tubing used) series 6000: -20°C - 80°C (-4 F to 175 F) (see data for tubing used)

Fitting with connecting tube

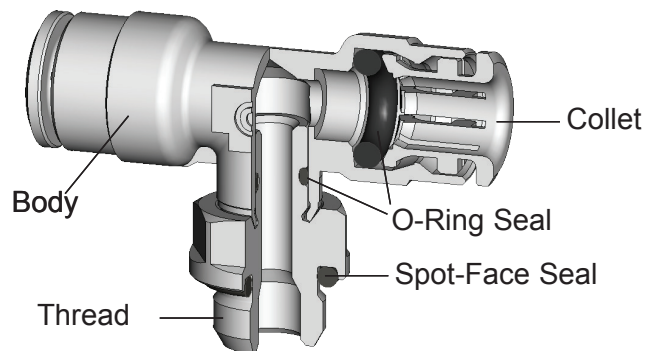


Nickel-Plated Brass Fittings: BSP Threads with *Sprint*[®] and Spot-Face O-Ring Seal

Sprint[®] Style BSP Thread



Spot-Face O-Ring BSP Thread



Features

Collet

- Nickel-Plated, All-metal Collet and Release ring
- Collet design offers greater grip strength under higher pressure or tubing tension
- Collet release mechanism based on relaxed slope of grip teeth, as opposed to disengaging “bite-rings” from partially cut tubes
- Removable Collet and tube o-rings

Body

- All-Metal, Nickel-Plated body and Threads
- Compact Brass bodies from Brass forgings
- Standard Buna-N or Specialized O-ring choices for High-Temp, Low-Temp, Special Fluids, Food-Grade compatibility
- Broad Range of shapes and configurations
- Crimp design on Swivels maintains Full ID Flow path
- Swivels offer Mechanical crimping lock based on cold-forged brass and not spin-swaged or “thinned” brass
- Full ID Flow for Swivels and Straights, with high relief on larger sizes
- Internal Hex on Straight fittings

Sprint[®] Thread Design

- Low-profile fit
- Fast installation
- Perfect reusable seal

Benefits

Collet

- Won't break like plastic release rings and bodies; More Durable design
- Higher holding force, with easier release
- Won't scratch tubes like “bite-ring” designs
- Less chance of micro-leakage and bubble-leaks over time due to damaged tubing
- Higher pressures actually offer greater grip-strength with high-pressure Nylon tubing
- OD Tube Size stamped on Collet face

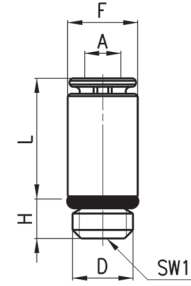
Body

- Resistant to UV exposure
- Better resistance to stress-cracking, abrasion, solvents, detergents, hydrocarbons and other fluid media
- FDA/NSF approved materials, (Including customized Nickel-Plating and o-ring options)
- Simplified manifold circuits with broader variety of fitting combinations and shapes to select
- Lighter weight for End-of-Arm tooling & Robotic handling
- Compact design reduces overall dimensions for valve assemblies, packaging applications and control cabinets
- 12% Reduction in overall Body size, compared to previous Brass line
- Full ID Flow and high relief undercuts offers greatest flow without restriction to circuit design flow calculations

Sprint[®] Thread Design

- Eliminates exposed threads and fits into tight spaces, making them ideal for food processing and hygienic applications.
- Eliminates the need for Teflon[®] tape or pipe dope. Shorter thread length requires fewer turns to tighten.
- The captured Teflon[®] sealing ring provides a dependable and reusable shoulder seal without the risk of thread sealant contamination.

Fittings Mod. 6512 Micro
Metric-BSP Micro Barrel Fitting

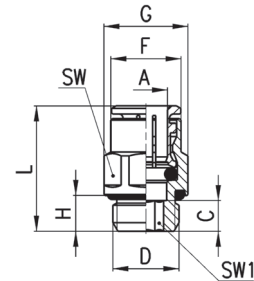


DIMENSIONS (in mm)

Mod.	A	D	F	H	L	SW1	Weight (g)	
6512 3-M3	3	M3	5.8	2.5	10.2	1.5	1	□
6512 3-M5	3	M5	5.8	3.5	10	2	1	●
6512 4-M7-M	4	M7	9.4	5	17.5	2.5	5	●
6512 4-1/8-M	4	G1/8	11.2	5	13	2.5	9	●
6512 6-M7-M	6	M7	10.4	5	17	4	7	●
6512 6-1/8-M	6	G1/8	11.2	5	14	4	7	●
6512 8-1/8-M	8	G1/8	12.4	5	18.5	5	10	●
6512 10-1/4-M	10	G1/4	14.8	6	21	7	16	●

□ = with gasket
● = with O-Ring

Fittings Mod. 6512
Metric-BSP Male Connector

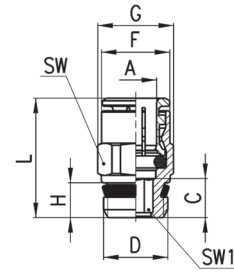


DIMENSIONS (in mm)

Mod.	A	D	C	F	G	H	L	SW	SW1	Weight (g)
6512 4-M5	4	M5	6	7.8	8.8	4	20	8	2	4
6512 4-M6	4	M6	6.5	8.8	9.9	4.5	20.5	9	2.5	6
6512 4-1/8	4	G1/8	5	8.8	13.5	6	19	12	2.5	10
6512 4-1/4	4	G1/4	6.5	8.8	16.4	7	20.5	15	2.5	14
6512 5-M5	5	M5	6	8.8	9.9	4	21	9	2	5
6512 6-M5	6	M5	6	11.7	13.2	4	22	12	2	8
6512 6-1/8	6	G1/8	5	11.7	13.5	6	21	12	4	10
6512 6-1/4	6	G1/4	6	11.7	16.4	7	22	15	4	13
6512 8-1/8	8	G1/8	8.5	13.7	15.2	6	26	14	5	15
6512 8-1/4	8	G1/4	7	13.7	16.4	7	24.5	15	6	17
6512 8-3/8	8	G3/8	6.5	13.7	20.5	7	23	19	6	27
6512 10-1/4	10	G1/4	9.8	15.4	18.5	7	30	17	7	26
6512 10-3/8	10	G3/8	5.3	15.4	20.5	7	24.5	19	8	27
6512 12-1/4	12	G1/4	10.5	18.3	20.5	7	29.5	19	7	29
6512 12-3/8	12	G3/8	5.8	18.3	20.5	7	24	19	9	24

Fittings Mod. S6510

Male Connector Sprint®

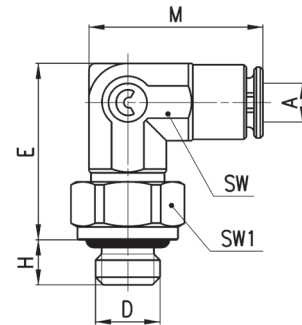


DIMENSIONS (in mm)										
Mod.	A	D	C	F	G	H	L	SW	SW1	Weight (g)
S6510 4-1/8	4	G1/8	3.8	8.8	13.2	5.5	18	12	2.5	9
S6510 4-1/4	4	G1/4	5.5	8.8	15.2	7	19.5	14	2.5	15
S6510 5-1/8	5	G1/8	3.8	9.8	13.2	5.5	19	12	3	8
S6510 5-1/4	5	G1/4	5.5	9.8	15.2	7	20	14	3	14
S6510 6-1/8	6	G1/8	6	11.7	13.2	5.5	22	12	4	10
S6510 6-1/4	6	G1/4	5.5	11.7	15.2	7	21	14	4	14
S6510 6-3/8	6	G3/8	6.5	11.7	20.5	8	22.5	19	4	27
S6510 8-1/8	8	G1/8	7.5	13.7	15.2	5.5	25	14	5	13
S6510 8-1/4	8	G1/4	6.5	13.7	15.2	7	24	14	6	14
S6510 8-3/8	8	G3/8	6	13.7	20.5	8	23.5	19	6	25
S6510 8-1/2	8	G1/2	7.5	13.7	24.5	9	25	22	6	43
S6510 10-1/4	10	G1/4	8.3	15.4	18.5	7	28.5	17	7	23
S6510 10-3/8	10	G3/8	5.3	15.4	20.5	8	25.5	19	8	27
S6510 10-1/2	10	G1/2	4.8	16	24.5	9	25	22	8	39
S6510 12-1/4	12	G1/4	10.3	18.3	20.5	7	29.5	19	7	26
S6510 12-3/8	12	G3/8	9.3	18.3	20.5	8	28.5	19	9	30
S6510 12-1/2	12	G1/2	5.8	18.3	24.5	9	25	22	10	36
S6510 14-3/8	14	G3/8	10.3	20.5	24.5	8	30.5	22	9	42
S6510 14-1/2	14	G1/2	6.3	20.5	24.5	9	26.5	22	12	34
S6510 16-1/2	16	G1/2	9	23.5	26.5	9	32	24	-	42
S6510 16-3/4	16	G3/4	3.5	23.5	27.3	9	26.5	24	-	46

FITTINGS BSP

Fittings Mod. 6522 Micro

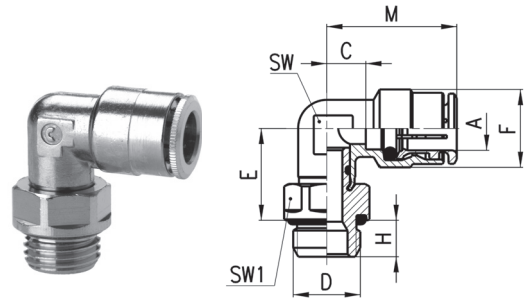
Metric Swivel Male Elbow



DIMENSIONS (in mm)									
Mod.	A	D	E	H	M	SW	SW1	Weight (g)	
6522 3-M3	3	M3	13.7	2.5	13.7	6	6	4	□
6522 3-M5	3	M5	13.7	3.5	13.7	6	8	5	●

□ = with gasket
● = with O-Ring

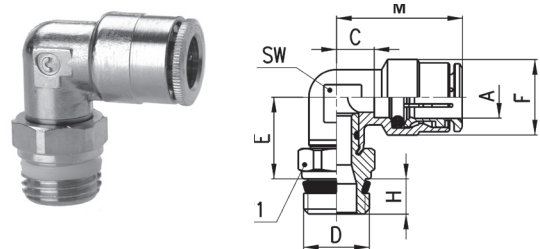
Fittings Mod. 6522
Metric-BSP Swivel Male Elbow



DIMENSIONS (in mm)

Mod.	A	D	C	E	F	H	M	SW	SW1	Weight (g)
6522 4-M5	4	M5	3.5	12.5	9	4	17.5	8	8	12
6522 4-1/8	4	G1/8	3.5	14.5	9	6	17.5	8	12	15
6522 4-1/4	4	G1/4	3.5	15.5	9	7	17.5	8	15	25
6522 5-M5	5	M5	5.5	12.5	10	4	20.5	9	8	13
6522 6-M5	6	M5	4	13	12.7	4	20	9	10	14
6522 6-1/8	6	G1/8	4	15	12.7	6	20	9	12	19
6522 6-1/4	6	G1/4	4	16	12.7	7	20	9	15	27
6522 8-1/8	8	G1/8	5	16	14.2	6	22.5	11	12	22
6522 8-1/4	8	G1/4	5	17	14.2	7	22.5	11	15	28
6522 8-3/8	8	G3/8	5	17	14.2	7	22.5	11	19	45
6522 10-1/4	10	G1/4	5.8	19.5	16.5	7	26	13	15	41
6522 10-3/8	10	G3/8	5.8	19.5	16.5	7	26	13	19	45
6522 12-1/4	12	G1/4	7.3	20	19.5	7	26.5	15	17	51
6522 12-3/8	12	G3/8	7.3	20.5	19.5	7	26.5	15	19	56

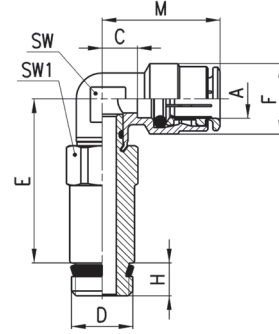
Fittings Mod. S6520
Swivel Male Elbow Sprint®



DIMENSIONS (in mm)

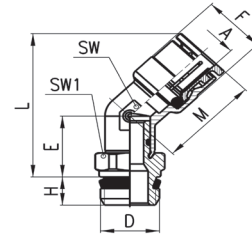
Mod.	A	D	C	E	F	H	M	SW	SW1	Weight (g)
S6520 4-1/8	4	G1/8	3.5	14.5	9	5.5	17.5	8	12	17
S6520 4-1/4	4	G1/4	3.5	14.5	9	7	17.5	8	14	23
S6520 5-1/8	5	G1/8	5.5	14.5	10	5.5	20.5	9	12	17
S6520 5-1/4	5	G1/4	5.5	14.5	10	7	20.5	9	14	23
S6520 6-1/8	6	G1/8	4	15	12.7	5.5	20	9	12	20
S6520 6-1/4	6	G1/4	4	15	12.7	7	20	9	14	23
S6520 6-3/8	6	G3/8	4	15.5	12.7	8	20	9	19	33
S6520 8-1/8	8	G1/8	5	16	14.2	5.5	22.5	11	12	22
S6520 8-1/4	8	G1/4	5	16	14.2	7	22.5	11	14	26
S6520 8-3/8	8	G3/8	5	16.5	14.2	8	22.5	11	19	41
S6520 8-1/2	8	G1/2	5	17	14.2	9	22.5	11	22	48
S6520 10-1/4	10	G1/4	5.8	18.5	16.5	7	26	13	14	32
S6520 10-3/8	10	G3/8	5.8	19	16.5	8	26	13	19	43
S6520 10-1/2	10	G1/2	5.8	19.5	16.5	9	26	13	22	62
S6520 12-1/4	12	G1/4	7.3	20	19.5	7	26.5	15	17	49
S6520 12-3/8	12	G3/8	7.3	20	19.5	8	26.5	15	19	48
S6520 12-1/2	12	G1/2	7.3	20.5	19.5	9	26.5	15	22	70
S6520 14-3/8	14	G3/8	8.3	21	21.5	8	28.5	17	19	74
S6520 14-1/2	14	G1/2	8.3	21.5	21.5	9	28.5	17	22	78

Fittings Mod. 6525
Extended Swivel Male Elbow Sprint®



DIMENSIONS (in mm)										
Mod.	A	D	C	E	F	H	M	SW	SW1	Weight (g)
6525 6-1/8	6	G1/8	4	33.8	12.7	5.5	20	9	12	34
6525 6-1/4	6	G1/4	4	34	12.7	7	20	9	14	47
6525 8-1/8	8	G1/8	5	34.8	14.2	5.5	22.5	11	12	35
6525 8-1/4	8	G1/4	5	35	14.2	7	22.5	11	14	50

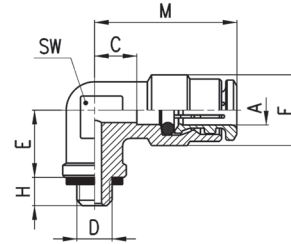
Fittings Mod. S6110
45° Male Elbow Sprint®



DIMENSIONS (in mm)										
Mod.	A	D	E	F	H	L	M	SW	SW1	Weight (g)
S6110 6-1/8	6	G1/8	14	12.7	5.5	32.5	20.5	11	12	21
S6110 6-1/4	6	G1/4	14	12.7	7	34.5	20.5	11	14	25
S6110 8-1/8	8	G1/8	14	14.2	5.5	32.5	22.5	11	12	21
S6110 8-1/4	8	G1/4	14	14.2	7	34.5	22.5	11	14	26
S6110 8-3/8	8	G3/8	14.5	14.2	8	35	22.5	11	19	38
S6110 10-1/4	10	G1/4	15.5	16.5	7	39.5	26.5	15	17	39
S6110 10-3/8	10	G3/8	15.5	16.5	8	39.5	26.5	15	19	44
S6110 10-1/2	10	G1/2	16	16.5	9	40	26.5	15	22	57
S6110 12-1/4	12	G1/4	15.5	19.5	7	40.5	26.5	15	17	41
S6110 12-3/8	12	G3/8	15.5	19.5	8	40.5	26.5	15	19	46
S6110 12-1/2	12	G1/2	16	19.5	9	41	26.5	15	22	59

The company reserves the right to vary models and dimensions without notice.
 These products are designed for industrial applications and are not suitable for sale to the general public.

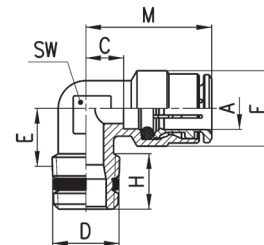
Fitting Mod. 6501 4-M5
Metric Fixed Male Elbow



DIMENSIONS (in mm)

Mod.	A	D	C	E	F	H	M	SW	Weight (g)
6501 4-M5	4	M5	3.5	6	9	4	17.5	8	11

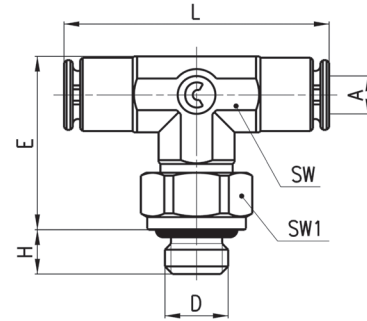
Fittings Mod. S6500
Metric Fixed Male Elbow



DIMENSIONS (in mm)

Mod.	A	D	C	E	F	H	M	SW	Weight (g)
S6500 4-1/8	4	R1/8	3.5	8.5	9	7.5	17.5	8	9
S6500 4-1/4	4	R1/4	5	11.5	9	12	19	9	13
S6500 5-1/8	5	R1/8	5.5	8.5	10	7.5	20.5	9	13
S6500 5-1/4	5	R1/4	5.5	11.5	10	12	20.5	9	17
S6500 6-1/8	6	R1/8	4	9	12.7	7.5	20	9	15
S6500 6-1/4	6	R1/4	4	11.5	12.7	12	20	9	16
S6500 8-1/8	8	R1/8	5	10.5	14.2	6.5	22.5	11	18
S6500 8-1/4	8	R1/4	5	11.5	14.2	12.5	22.5	11	21
S6500 8-3/8	8	R3/8	7	13	14.2	11.5	24.5	12	25
S6500 10-1/4	10	R1/4	5.8	13	16.5	11.5	26	13	33
S6500 10-3/8	10	R3/8	5.8	13	16.5	12	26	13	33
S6500 12-1/4	12	R1/4	7.3	14.5	19.5	11	26.5	15	46
S6500 12-3/8	12	R3/8	7.3	13.5	19.5	11.5	26.5	15	39

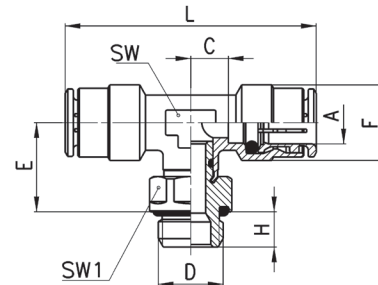
Fittings Mod. 6432 Micro
Metric Swivel Male Branch Tee



DIMENSIONS (in mm)									
Mod.	A	D	E	H	L	SW	SW1	Weight (g)	
6432 3-M3	3	M3	13.7	2.5	21.4	6	6	5	□
6432 3-M5	3	M5	13.7	3.5	21.4	6	8	6	●

□ = with gasket
● = with O-Ring

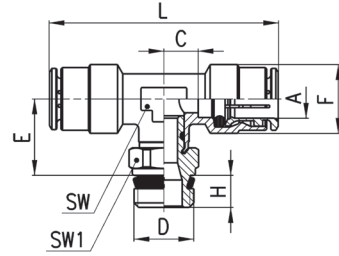
Fittings Mod. 6432
Metric-BSP Swivel Male Branch Tee



DIMENSIONS (in mm)										
Mod.	A	D	C	E	F	H	L	SW	SW1	Weight (g)
6432 4-M5	4	M5	3.5	12.5	9	4	35	8	8	14
6432 4-1/8	4	G1/8	3.5	14.5	9	6	35	8	12	19
6432 5-M5	5	M5	5.5	12.5	10	4	41	9	8	19
6432 6-1/8	6	G1/8	4	15	12.7	6	40	9	12	29
6432 6-1/4	6	G1/4	4	16	12.7	7	40	9	15	30
6432 8-1/8	8	G1/8	5	16	14.2	6	45	11	12	37
6432 8-1/4	8	G1/4	5	17	14.2	7	45	11	15	39
6432 8-3/8	8	G3/8	5	17	14.2	7	45	11	19	55
6432 10-1/4	10	G1/4	5.8	19.5	16.5	7	52	13	15	59
6432 10-3/8	10	G3/8	5.8	19.5	16.5	7	52	13	19	56
6432 12-1/4	12	G1/4	7.3	20	19.5	7	53	15	17	60
6432 12-3/8	12	G3/8	7.3	20.5	19.5	7	53	15	19	80

The company reserves the right to vary models and dimensions without notice. These products are designed for industrial applications and are not suitable for sale to the general public.

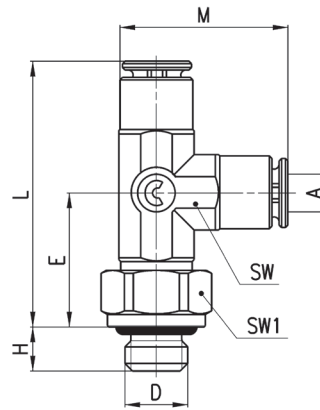
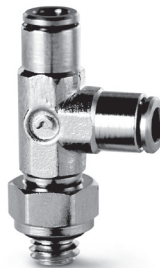
Fittings Mod. S6430
Swivel Male Run Tee Sprint®



DIMENSIONS (in mm)

Mod.	A	D	C	E	F	H	L	SW	SW1	Weight (g)
S6430 4-1/8	4	G1/8	3.5	14.5	9	5.5	35	8	12	18
S6430 5-1/8	5	G1/8	5.5	14.5	10	5.5	41	9	12	24
S6430 5-1/4	5	G1/4	5.5	14.5	10	7	41	9	14	30
S6430 6-1/8	6	G1/8	4	15	12.7	5.5	40	9	12	28
S6430 6-1/4	6	G1/4	4	15	12.7	7	40	9	14	33
S6430 8-1/8	8	G1/8	5	16	14.2	5.5	45	11	12	37
S6430 8-1/4	8	G1/4	5	16	14.2	7	45	11	14	42
S6430 8-3/8	8	G3/8	5	16.5	14.2	8	45	11	19	51
S6430 10-1/4	10	G1/4	5.8	18.5	16.5	7	52	13	14	56
S6430 10-3/8	10	G3/8	5.8	19	16.5	8	52	13	19	67
S6430 10-1/2	10	G1/2	5.8	19.5	16.5	9	52	13	22	85
S6430 12-1/4	12	G1/4	7.3	20	19.5	7	53	15	17	60
S6430 12-3/8	12	G3/8	7.3	20	19.5	8	53	15	19	65
S6430 12-1/2	12	G1/2	7.3	20.5	19.5	9	53	15	22	89
S6430 14-1/2	14	G1/2	8.3	21.5	21.5	9	57	17	22	88

Fittings Mod. 6442 Micro
Metric Swivel Male Run Tee

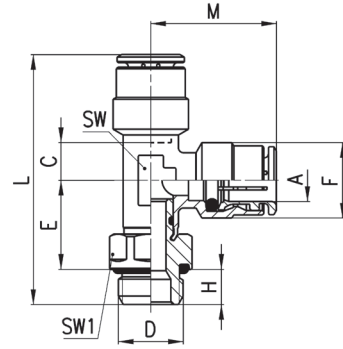


DIMENSIONS (in mm)

Mod.	A	D	E	H	L	M	SW	SW1	Weight (g)	
6442 3-M3	3	M3	10.7	2.5	21.4	13.7	6	6	5	□
6442 3-M5	3	M5	12.2	3.5	21.4	13.7	6	8	6	●

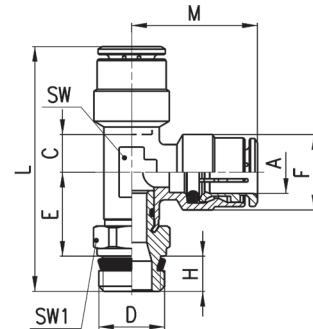
□ = with gasket
● = with O-Ring

Fittings Mod. 6442
Metric-BSP Swivel Male Run Tee



DIMENSIONS (in mm)											
Mod.	A	D	C	E	F	H	L	M	SW	SW1	Weight (g)
6442 4-M5	4	M5	3.5	12.5	9	4	34	17.5	8	8	18
6442 4-1/8	4	G1/8	3.5	14.5	9	6	38	17.5	8	12	19
6442 5-M5	5	M5	5.5	12.5	10	4	36.5	20.5	9	8	19
6442 6-1/8	6	G1/8	4	15	12.7	6	41	20	9	12	26
6442 6-1/4	6	G1/4	4	16	12.7	7	43	20	9	15	36
6442 8-1/8	8	G1/8	5	16	14.2	6	44.5	22.5	11	12	31
6442 8-1/4	8	G1/4	5	17	14.2	7	46.5	22.5	11	15	42
6442 8-3/8	8	G3/8	5	17	14.2	7	46.5	22.5	11	19	50
6442 10-1/4	10	G1/4	5.8	19.5	16.5	7	52.5	26	13	15	46
6442 10-3/8	10	G3/8	5.8	19.5	16.5	7	52.5	26	13	19	66
6442 12-1/4	12	G1/4	7.3	20	16.5	7	53.5	26.5	15	17	73
6442 12-3/8	12	G3/8	7.3	20.5	19.5	7	54	26.5	15	19	64

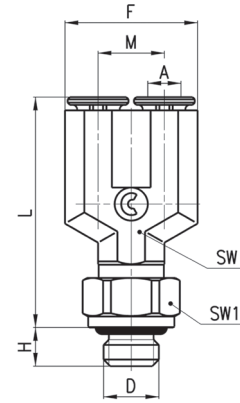
Fittings Mod. S6440
Swivel Male Run Tee Sprint®



DIMENSIONS (in mm)											
Mod.	A	D	C	E	F	H	L	M	SW	SW1	Weight (g)
S6440 4-1/8	4	G1/8	3.5	14.5	9	5.5	37.5	17.5	8	12	23
S6440 5-1/8	5	G1/8	5.5	14.5	10	5.5	40.5	20.5	9	12	24
S6440 6-1/8	6	G1/8	4	15	12.7	5.5	40.5	20	9	12	26
S6440 6-1/4	6	G1/4	4	15	12.7	7	42	20	9	14	31
S6440 8-1/8	8	G1/8	5	16	14.2	5.5	44	22.5	11	12	37
S6440 8-1/4	8	G1/4	5	16	14.2	7	45.5	22.5	11	14	35
S6440 8-3/8	8	G3/8	5	16.5	14.2	8	47	22.5	11	19	52
S6440 10-1/4	10	G1/4	5.8	18.5	16.5	7	51.5	26	13	14	43
S6440 10-3/8	10	G3/8	5.8	18.5	16.5	8	53	26	13	19	66
S6440 12-3/8	12	G3/8	7.3	19.5	19.5	8	54.5	26.5	15	19	65
S6440 14-1/2	14	G1/2	8.3	21.5	21.5	9	59	28.5	17	22	88

The company reserves the right to vary models and dimensions without notice. These products are designed for industrial applications and are not suitable for sale to the general public.

Fittings Mod. 6452 Micro
Metric Swivel Male Y



DIMENSIONS (in mm)

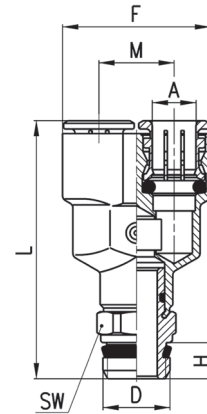
Mod.	A	D	F	H	L	M	SW	SW1	Weight (g)
6452 3-M3	3	M3	12	2.5	20.9	6	6	6	6 □
6452 3-M5	3	M5	12	3.5	20.9	6	6	8	7 ●

□ = with gasket
● = with O-Ring

Fittings Mod. 6451 - S6450

Mod. 6451: Metric Male Y

Mod. S6450: Swivel Male Y Sprint®



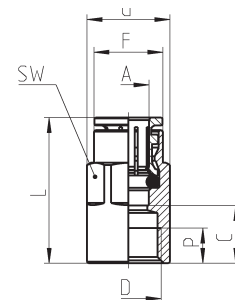
DIMENSIONS (in mm)

Mod.	A	D	F	H	L	M	SW	Weight (g)
6451 4-M5	4	M5	18	4	26.5	9	-	17 *
6451 6-M5	6	M5	24.5	4	29.5	12.5	-	27 *
S6450 4-1/8	4	G1/8	18	5.5	38	9	12	23
S6450 6-1/8	6	G1/8	24.5	5.5	41.5	12.5	12	33
S6450 8-1/8	8	G1/8	28.5	5.5	48.5	14.5	14	48
S6450 8-1/4	8	G1/4	28.5	7	50	14.5	14	50

* = non-swivel Model, with Nylon gasket

Fittings Mod. 6463

Metric-BSP Female Connector

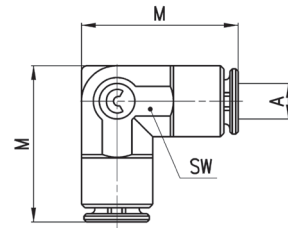


DIMENSIONS (in mm)

Mod.	A	D	C	F	G	L	P (min)	SW	Weight (g)
6463 4-M5	4	M5	6.5	7.8	8.8	20.5	4.5	9	8
6463 4-1/8	4	G1/8	10	9	13	24	6	12	14
6463 5-1/8	5	G1/8	10	9.8	13	25	6	12	14
6463 6-1/8	6	G1/8	10	11.7	13	26	6	12	14
6463 6-1/4	6	G1/4	11.5	11.9	16.5	27.5	7	15	23
6463 8-1/8	8	G1/8	9.5	13.7	15.2	27	6	14	16
6463 8-1/4	8	G1/4	11.5	13.7	16.5	29	7	15	23
6463 10-1/4	10	G1/4	11.3	15.4	18.5	31.5	7	17	29

Fittings Mod. 6550 Micro

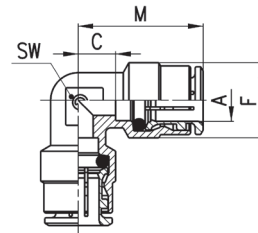
Elbow Union



DIMENSIONS (in mm)				
Mod.	A	M	SW	Weight (g)
6550 3	3	13.7	6	3

Fittings Mod. 6550

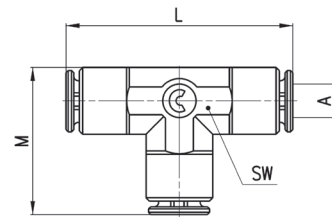
Elbow Union



DIMENSIONS (in mm)						
Mod.	A	C	F	M	SW	Weight (g)
6550 4	4	3.5	9	17.5	8	8
6550 5	5	5.5	10	20.5	9	15
6550 6	6	4	12.7	20	9	17
6550 8	8	5	14.2	22.5	11	22
6550 10	10	5.8	16.5	26	13	30
6550 12	12	7.3	19.5	26.5	15	44
6550 14	14	8.3	21.5	28.5	17	71

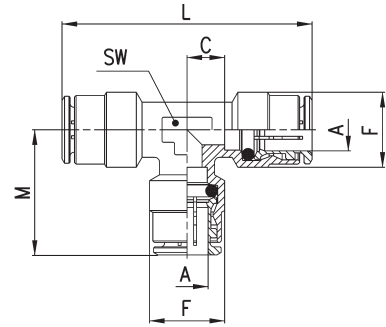
Fittings Mod. 6540 Micro

Tee Union



DIMENSIONS (in mm)					
Mod.	A	L	M	SW	Weight (g)
6540 3	3	21.4	13.7	6	4

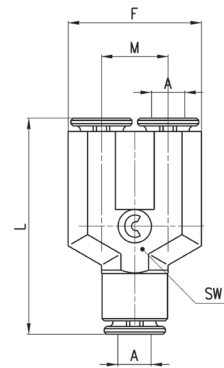
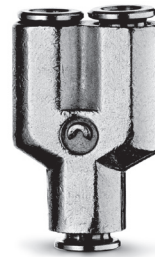
Fittings Mod. 6540
Tee Union



DIMENSIONS (in mm)

Mod.	A	C	F	L	M	SW	Weight (g)
6540 4	4	3.5	9	35	17.5	8	14
6540 5	5	5.5	10	41	20.5	9	21
6540 6	6	4	12.7	40	20	9	24
6540 8	8	5	14.2	45	22.5	11	32
6540 10	10	5.8	16.5	52	26	13	43
6540 12	12	7.3	19.5	53	26.5	15	60
6540 14	14	8.3	21.5	57	28.5	17	75

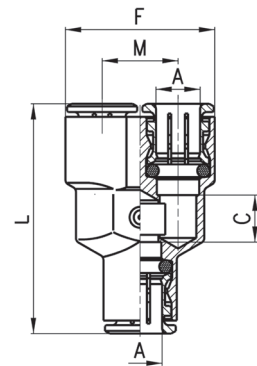
Fittings Mod. 6560 Micro
Y Union



DIMENSIONS (in mm)

Mod.	A	F	L	M	SW	Weight (g)
6560 3	3	12	20.4	6	6	5

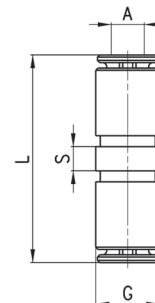
Fittings Mod. 6560
Y Union



DIMENSIONS (in mm)

Mod.	A	C	F	L	M	Weight (g)
6560 4	4	5	18	33	9	19
6560 6	6	7	24.5	39	12.5	30
6560 8	8	9	28.5	44	14.5	42
6560 10	10	15.5	32	53.5	16	63

Fittings Mod. 6580 Micro
Union



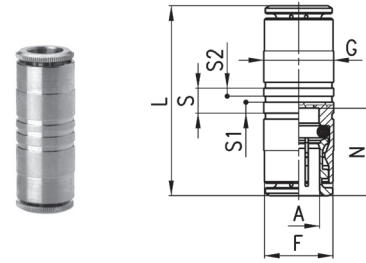
DIMENSIONS (in mm)

Mod.	A	G	L	S	Weight (g)
6580 3	3	5.8	19.9	2.2	2

Fittings Mod. 6580

Union

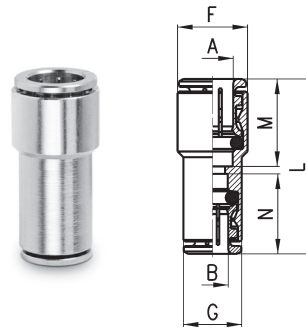
DIMENSIONS (in mm)									
Mod.	A	F	G	L	N	S	S1	S2	Weight (g)
6580 4	4	8.4	9	29	14	5	2.2	1.6	11
6580 5	5	9.4	10	31	15	5	2.2	1.6	15
6580 6	6	11.7	12	34	16	5	2.2	1.6	16
6580 8	8	13.7	14	37	17.5	5	2.2	1.6	23
6580 10	10	15.4	17	41.5	20.2	5	2.2	1.6	33
6580 12	12	18.3	19	39.5	19.2	5.2	2.2	1.6	40
6580 14	14	20.5	21	41.5	20.2	5.2	2.2	1.6	47



Fittings Mod. 6580

Reducing Union

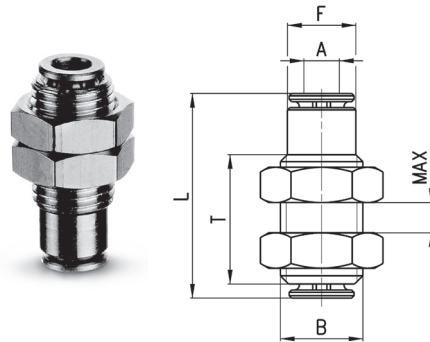
DIMENSIONS (in mm)								
Mod.	A	B	F	G	L	M	N	Weight (g)
6580 6-4	6	4	12	9	31.5	16	14	12
6580 8-6	8	6	14	12.2	35	17.5	16	19
6580 10-8	10	8	16	14	39	20	17.5	25
6580 12-10	12	10	19	16	40.5	19	20	35



Fittings Mod. 6590 Micro

Bulkhead Union

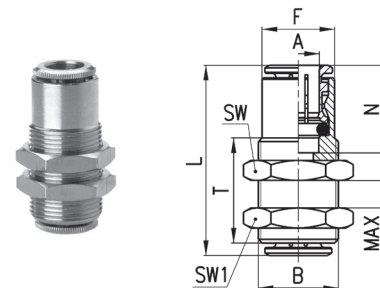
DIMENSIONS (in mm)						
Mod.	A	B	F	L	MAX	T
6590 3	3	M7x0.75	5.8	18.4	5	11.4



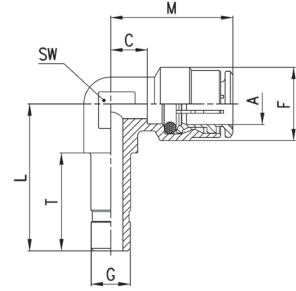
Fittings Mod. 6590

Bulkhead Union

DIMENSIONS (in mm)										
Mod.	A	B	F	L	N	MAX	SW	SW1	T	Weight (g)
6590 4	4	M10x1	8.8	29	14	10.5	14	14	20	16
6590 5	5	M12x1	9.8	31	15	10.5	17	17	20	25
6590 6	6	M14x1	12.5	33	16	10.5	17	17	20	28
6590 8	8	M16x1	14.5	36	17.5	11.5	19	19	21	35
6590 10	10	M18x1	16.3	41.5	20.2	13	22	22	23.5	51
6590 12	12	M20x1	18.8	39.5	19.2	14.5	24	24	25	56
6590 14	14	M22x1	20.5	41.5	20.2	17.5	27	27	30	82



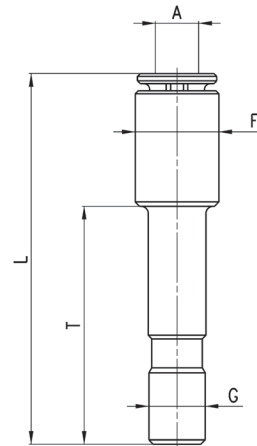
Fittings Mod. 6555
Plug-in Elbow



DIMENSIONS (in mm)

Mod.	A	G	C	L	F	T	M	SW	Weight (g)
6555 4-4	4	4	3.5	22	9	16.5	17.5	9	8
6555 6-6	6	6	4	24.5	12.7	18	20	9	14
6555 8-8	8	8	5	27.5	14.2	20	22.5	11	21
6555 10-10	10	10	5.8	32	16.5	23	26	13	26

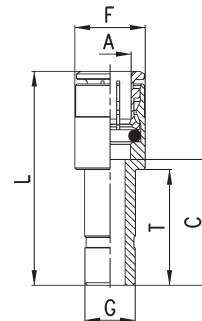
Fitting Mod. 6800 Micro
Plug-in Reducer



DIMENSIONS (in mm)

Mod.	A	F	G	L	T	Weight (g)
6800 3-4	3	5.8	4	26	16.5	2

Fittings Mod. 6800
Plug-in Reducer

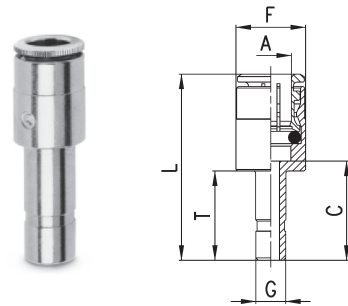


DIMENSIONS (in mm)

Mod.	A	G	C	F	L	T	Weight (g)
6800 4-5	4	5	19	9	33	18	8
6800 4-6	4	6	15.5	9	29.5	18	9
6800 4-8	4	8	18	9	32	20.5	10
6800 5-6	5	6	19	10	34	18	11
6800 5-8	5	8	18	10	33	20.5	12
6800 6-8	6	8	18	12.7	34	20.5	12
6800 6-10	6	10	20.5	12.7	36.5	23	17
6800 6-12	6	12	17.5	12.7	33.5	24	21
6800 8-10	8	10	20.5	14	38	23	15
6800 8-12	8	12	21.5	14	39	24	22
6800 10-12	10	12	20.3	16.5	40.5	24	27
6800 10-14	10	14	24.3	16.5	44.5	28	33
6800 12-14	12	14	24.3	18.8	45.5	28	27

Fittings Mod. 6850

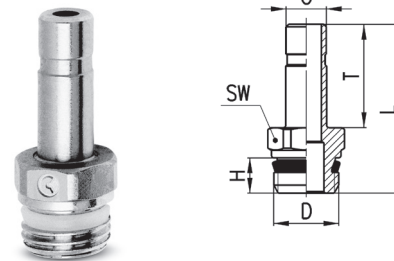
Plug-in Enlarger



DIMENSIONS (in mm)							
Mod.	A	G	C	F	L	T	Weight (g)
6850 6-4	6	4	17.5	12.7	33.5	16.5	11
6850 8-6	8	6	19	14	36.5	18	15

Fittings Mod. 6811

Metric Male Plug-in Stem Sprint®

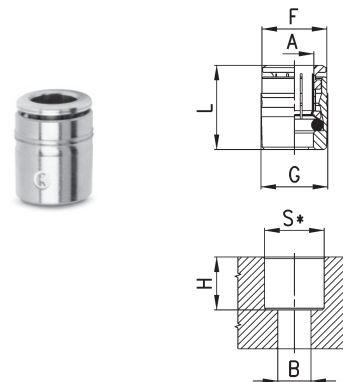


DIMENSIONS (in mm)							
Mod.	G	D	H	T	L	SW	Weight (g)
6811 4-M5	4	M5	4	16.5	24.5	8	3 *
6811 4-1/8	4	G1/8	5.5	16.5	27.8	12	10
6811 5-1/8	5	G1/8	5.5	18	29.3	12	9
6811 5-1/4	5	G1/4	7	18	31	14	11
6811 6-1/8	6	G1/8	5.5	18	29.3	12	10
6811 6-1/4	6	G1/4	7	18	31	14	12
6811 8-1/8	8	G1/8	5.5	20.5	31.8	12	12
6811 8-1/4	8	G1/4	7	20.5	33.5	14	13
6811 10-1/4	10	G1/4	7	23	36	14	16
6811 10-3/8	10	G3/8	8	23	37.3	19	25
6811 12-3/8	12	G3/8	8	24	38.3	19	25
6811 14-1/2	14	G1/2	9	28	44	22	39

* = with O-Ring

Fittings Mod. 6700 Micro

Cartridge



DIMENSIONS (in mm)								
Mod.	A	B	F	G	H	L	S	Weight (g)
6700 3	3	2	5.9	6.2	6.3	9.2	6	1

*For the Ø3 Cartridge, Chamfer 0.3 x 30°

Fittings Mod. 6700

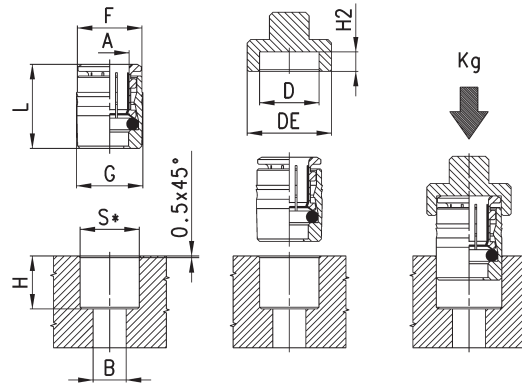
Cartridge

The Dimension 'H2' for the press-tool should be noted and followed, which creates a specific mechanical stop. This serves the purpose of avoiding, (in case of any excessive insertion force used), damage to the collet body, shape or design. Without which, could lead to some damage or distortion of the collet bite/release ring.

All Dimensions in millimeters. Surface Finish of the gland seat required: Ra ≤ 0.8 microns.

Final Fit and Finish requires that the top most ridge/bite-ring of the cartridge body be at least 1 mm below the surface of the gland chamfer.

For plastic (non-metal) manifolds, reduce all hole dimensions "S" by 0.02 mm (0.001 in.)



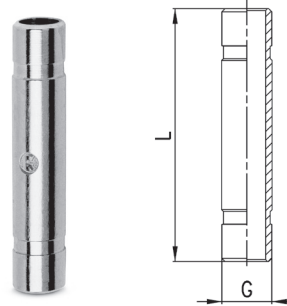
*S = metallic (+0.01, -0.04)

DIMENSIONS (in mm)

Mod.	A	B	D	DE	F	G	H	H2	L	S*	P min (Kg)	P max (Kg)	Weight (g)
6700 4	4	3.5	8.8	14	8.6	9	11	3.3	14.5	8.75	200	360	4
6700 5	5	3.5	9.8	15	9.6	10	11.5	3.3	15.5	9.75	200	360	5
6700 6	6	4	12	17	11.8	12.2	12	3.8	16.5	11.95	160	570	8
6700 8	8	6	14	19	13.8	14.2	14	3.3	18	13.95	140	400	11
6700 10	10	8	16	21	15.8	16.2	16.5	3.5	20.5	15.95	150	650	15

Fittings Mod. 6950

Double Stem Union

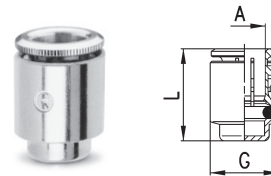


DIMENSIONS (in mm)

Mod.	G	L	Weight (g)
6950 4	4	32.5	3
6950 6	6	35.5	4
6950 8	8	40.5	7
6950 10	10	46	10
6950 12	12	48	13
6950 14	14	52	17

Fittings Mod. 6750

Tube Plug

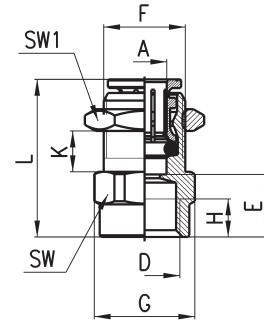


DIMENSIONS (in mm)

Mod.	A	G	L	Weight (g)
6750 4	4	8.8	15	4
6750 6	6	11.8	17	7
6750 8	8	13.8	18.5	9
6750 10	10	15.8	21	12
6750 12	12	17.8	20	15

Fittings Mod. 6593

BSP Female Bulkhead

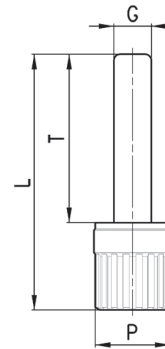


DIMENSIONS (in mm)

Mod.	A	D	E	F	G	H	L	K (max)	K (min)	SW	SW1	Weight (g)
6593 6-1/8	6	G1/8	10	M12x1	16.4	6	24.5	8.5	2	15	17	19
6593 6-1/4	6	G1/4	11.5	M12x1	18.5	7	26	6.5	2	17	17	22
6593 8-1/8	8	G1/8	10	M15x1	18.5	6	27	9.5	2	17	19	26
6593 8-1/4	8	G1/4	11.5	M15x1	18.5	7	28.5	9.5	2	17	19	26
6593 10-3/8	10	G3/8	12.8	M18x1	24.5	8	32.5	12	2	22	22	43

Accessory Mod. 6900 Micro

Plastic Male Plug

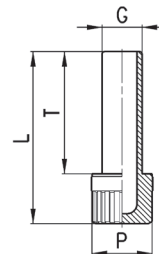


DIMENSIONS (in mm)

Mod.	G	L	P	T	Weight (g)
6900 3	3	20.5	6	13.5	1

Accessory Mod. 6900

Plastic Male Plug



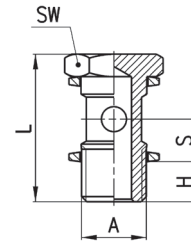
DIMENSIONS (in mm)

Mod.	G	L	P	T	Weight (g)
6900 4	4	29	8	20	1
6900 5	5	29.5	8	20.5	1
6900 6	6	31.5	8	22.5	1
6900 8	8	34.5	12	24.5	2
6900 10	10	37	12	27	2
6900 12	12	40.5	16	28.5	3
6900 14	14	42.5	16	30.5	3

Fittings Mod. 1631 01

Single Banjo Stem

Assembled with banjo fittings Mod. 6610; 6620; 1610; 1620; 2023; 1170



DIMENSIONS (in mm)

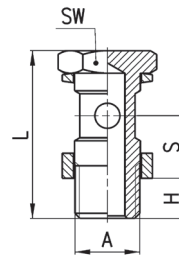
Mod.	A	H	L	S	SW	Weight (g)
1631 01-M5	M5	4	18	5.5	8	3
1631 01-1/8	G1/8	6	27	8.5	14	13
1631 01-1/4	G1/4	8	29.5	8.5	17	24
1631 01-3/8	G3/8	8	30	8.5	19	35
1631 01-1/2	G1/2	9	31	8.5	27	63

□ = zinc-plated steel

Fittings Mod. 1635 01

Single Long Banjo Stem

Assembled with banjo fittings Mod. 6610; 6620; 1610; 1620; 2023; 1170



DIMENSIONS (in mm)

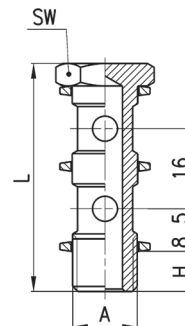
Mod.	A	H	L	S	SW	Weight (g)
1635 01-1/8	G1/8	6	31	12.5	14	15
1635 01-1/4	G1/4	8	33.5	12.5	17	27
1635 01-3/8	G3/8	8	34	12.5	19	37
1635 01-1/2	G1/2	9	35	12.5	27	71
1635 01-M12x1.25	M12x1.25	8	33.5	12.5	17	27
1635 01-M12x1.5	M12x1.5	8	33.5	12.5	17	27

* = models that must be assembled with 1/4 banjo fittings

Fittings Mod. 1631 02

Double Banjo Stem

Assembled with banjo fittings Mod. 6610; 6620; 1610; 1620; 2023; 1170



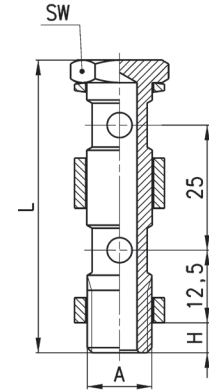
DIMENSIONS (in mm)

Mod.	A	H	L	SW	Weight (g)
1631 02-1/8	G1/8	6	43	14	18
1631 02-1/4	G1/4	8	45.5	17	33
1631 02-3/8	G3/8	8	46	19	48

Fittings Mod. 1635 02

Double Long Banjo Stem

Assembled with banjo fittings Mod. 6610; 6620; 1610; 1620; 2023; 1170

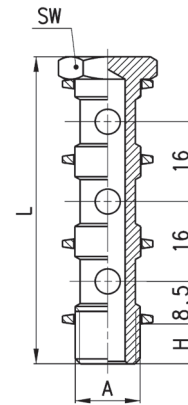


DIMENSIONS (in mm)					
Mod.	A	H	L	SW	Weight (g)
1635 02-1/8	G1/8	6	56	14	26
1635 02-1/4	G1/4	8	58.5	17	33
1635 02-3/8	G3/8	8	59	19	64
1635 02-1/2	G1/2	9	60	27	111

Fittings Mod. 1631 03

Triple Banjo Stem

Assembled with banjo fittings Mod. 6610; 6620; 1610; 1620; 2023; 1170

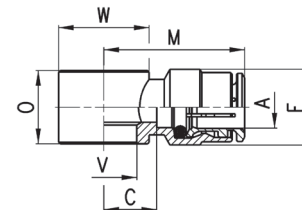


DIMENSIONS (in mm)					
Mod.	A	H	L	SW	Weight (g)
1631 03-1/8	G1/8	6	59	14	24
1631 03-1/4	G1/4	8	61.5	17	42
1631 03-3/8	G3/8	8	62	19	62

Fittings Mod. 6610 assembled with Mod. 1631, 1635

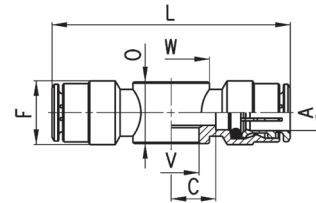
Single Banjo

DIMENSIONS (in mm)								
Mod.	A	C	F	M	O	V	W	Weight (g)
6610 4-M5	4	5	9	19	9	5.1	Ø 9	9
6610 4-M6	4	5	9	19	9	5.1	Ø 9	8 •
6610 4-1/8	4	7.5	9	21.5	14.5	9.8	Ø 14	14
6610 5-M5	5	5	10	20	9	5.1	Ø 9	9
6610 5-M6	5	5	10	20	9	5.1	Ø 9	8 •
6610 5-1/8	5	8	10	23	14.5	9.8	Ø 14	16
6610 6-M5	6	6.5	12.7	22.5	9	5.1	Ø 10	12
6610 6-M6	6	6.5	12.7	22.5	9	5.1	Ø 10	12 •
6610 6-1/8	6	8	12.7	24	14.5	9.8	Ø 14	16
6610 6-1/4	6	10	12.7	26	14.5	13.2	Ø 18	19
6610 8-1/8	8	8	14.2	25.5	14.5	9.8	Ø 14	19
6610 8-1/4	8	10	14.2	27.5	14.5	13.2	Ø 18	22
6610 8-3/8	8	11	14.2	28.5	14.5	16.7	Ø 21	23
6610 10-1/4	10	8.8	16.5	29	14.5	13.2	Ø 18	22 *
6610 10-3/8	10	10.3	16.5	30.5	14.5	16.7	Ø 21	23 *
6610 12-1/2	12	12.8	16.5	32	14.5	21	Ø 26	37 *



• = assembly required with Mod. SCU, SVU, SCO... M5 only
 * = they cannot be assembled with Mod. 1631, use 1635 instead

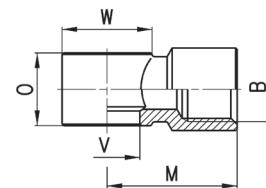
Fittings Mod. 6620 assembled with Mod. 1631, 1635
Double Banjo



DIMENSIONS (in mm)

Mod.	A	C	F	L	O	V	W	Weight (g)
6620 4-M5	4	5	9	38	9	5.1	∅ 9	13
6620 4-1/8	4	7.5	9	43	14.5	9.8	∅ 14	19
6620 6-1/8	6	8	12.7	48	14.5	9.8	∅ 14	24
6620 6-1/4	6	10	12.7	52	14.5	13.2	∅ 18	26
6620 8-1/8	8	8	14.2	51	14.5	9.8	∅ 14	32
6620 8-1/4	8	10	14.2	55	14.5	13.2	∅ 18	34

Fittings Mod. 2023 assembled with Mod. 1631, 1635
Single Female Banjo

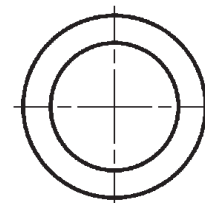


DIMENSIONS (in mm)

Mod.	B	M	O	V	W	Weight (g)
2023 M5-M5	M5	10.5	9	5.1	∅ 9	6
2023 M5-M6	M5	10.5	9	5.1	∅ 9	6
2023 1/8-1/8	G1/8	20	14.5	9.8	∅ 14	14
2023 1/4-1/4	G1/4	23.5	14.5	13.2	∅ 18	21
2023 3/8-3/8	G3/8	26.5	14.5	16.7	∅ 21	27

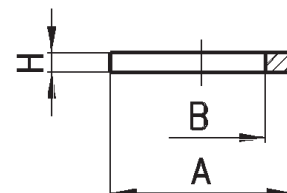
● = assembly with Mod. SCU, SCO, SVU... M5
□ = assembly with Mod. 1635

Accessories Mod. 2651
Aluminium Washer



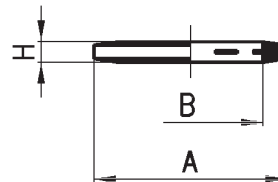
DIMENSIONS (in mm)

Mod.	A	B	H	Weight (g)
2651 1/8	14	9.8	1.5	1
2651 1/4	18	13.2	1.5	1
2651 3/8	22	16.7	1.5	1
2651 1/2	26	20.9	1.5	1
2651 1	38.5	33.4	1.5	2



Accessories Mod. 2661

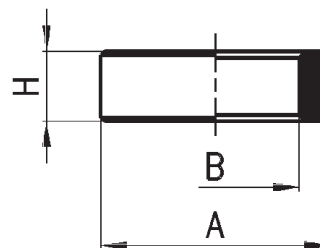
Nylon Washer



DIMENSIONS (in mm)				
Mod.	A	B	H	Weight (g)
2661 M3	4.9	2.8	0.7	1
2661 M5	8	5.2	1	1
2661 M6	9	6.2	1	1
2661 1/8	14	10.2	1.9	1
2661 1/4	18	13.5	1.9	1
2661 3/8	21	16.5	2.1	1
2661 1/2	26	21.2	1.9	1

Accessories Mod. 2665

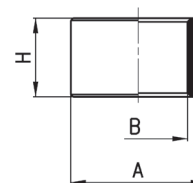
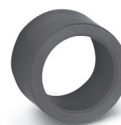
Nylon Washer



DIMENSIONS (in mm)				
Mod.	A	B	H	Weight (g)
2665 1/8	14	9.8	5	1
2665 1/4	18	13.2	5	1
2665 3/8	21	16.8	5	1
2665 1/2	26	21.1	5	1

Accessories Mod. 2669

Nylon Washer



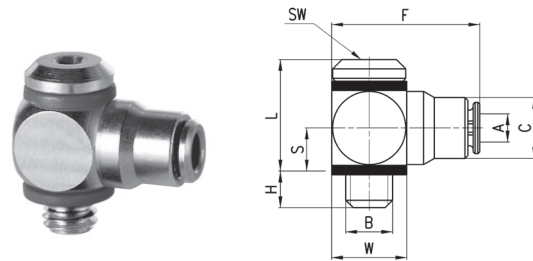
DIMENSIONS (in mm)				
Mod.	A	B	H	Weight (g)
2669 1/8	14	9.8	10	1
2669 1/4	18	13.2	10	2
2669 3/8	21	16.8	10	2
2669 1/2	26	21.1	10	2

Fittings Mod. 1631 with gaskets
Example assembly of stud manifold with various banjos



Mod.
1631 01-
1631 02-
1631 03-

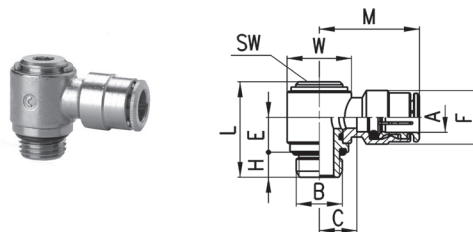
Fittings Mod. 6621 Micro
Complete Metric
Single Banjo



DIMENSIONS (in mm)

Mod.	A	B	C	F	H	L	S	W	SW	Weight (g)
6621 3-M3	3	M3	5.8	14.2	2.5	9.3	3.5	6	1.5	5
6621 3-M5	3	M5	6.5	16	3.2	11.9	4.8	8	2	6

Fittings Mod. 6622
Complete BSP Swivel
Single Banjo

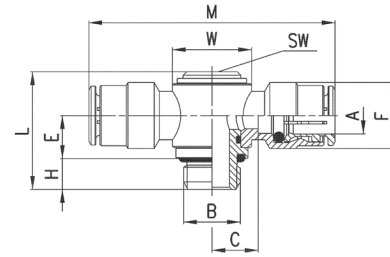


DIMENSIONS (in mm)

Mod.	A	B	C	E	F	H	L	M	SW	W	Weight (g)
6622 4-M5	4	M5	4	5.7	8.8	4	15.8	18	2.5	Ø 8	10
6622 4-1/8	4	G1/8	7.5	10.2	9	5	25	21.5	4	Ø 14	22
6622 6-1/8	6	G1/8	8	10.2	12.7	5	25	24	4	Ø 14	24
6622 6-1/4	6	G1/4	10	9.1	12.7	6	25.3	26	5	Ø 18	35
6622 8-1/8	8	G1/8	8	10.2	14.2	5	25	25.5	4	Ø 14	28
6622 8-1/4	8	G1/4	10	9.1	14.2	6	25.3	27.5	5	Ø 18	39
6622 10-1/4	10	G1/4	8.8	9.1	16.5	6	25.3	29	5	Ø 18	42

Fittings Mod. 6632

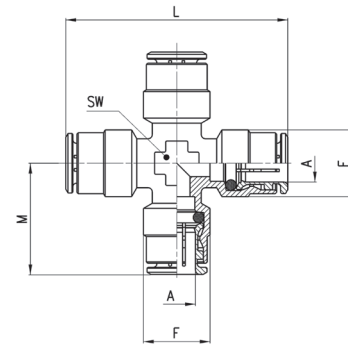
Complete BSP Swivel
Double Banjo



DIMENSIONS (in mm)											
Mod.	A	B	C	E	F	H	L	M	W	SW	Weight (g)
6632 4-1/8	4	G1/8	7.5	10.2	9	5	25	43	∅ 14	4	24
6632 6-1/8	6	G1/8	8	10.2	12.7	5	25	48	∅ 14	4	33
6632 6-1/4	6	G1/4	10	9.1	12.7	6	25.3	52	∅ 18	5	35
6632 8-1/8	8	G1/8	8	10.2	14.2	5	25	51	∅ 14	4	39
6632 8-1/4	8	G1/4	10	9.1	14.2	6	25.3	55	∅ 18	5	40
6632 10-1/4	10	G1/4	8.8	9.1	16.5	6	25.3	58	∅ 18	5	50

Fittings Mod. 6600

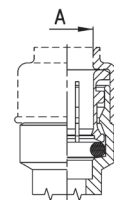
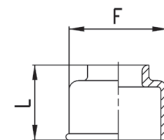
Cross Union



DIMENSIONS (in mm)						
Mod.	A	F	L	M	SW	Weight (g)
6600 4	4	9	38	19	9	26
6600 5	5	10	41	20.5	9	29
6600 6	6	12.7	44	22	10	35
6600 8	8	14.2	49	24.5	12	50
6600 10	10	16.5	55	27.5	14	63
6600 12	12	19.5	56	28	16	84

Fittings Mod. 6708

Protection caps
Color: Black
Self-extinguishing material, class V0



DIMENSIONS (in mm)				
Mod.	A	F	L	Weight (g)
6708 4	4	10.7	10.7	1
6708 5	5	11.7	11	1
6708 6	6	13.7	11.5	1
6708 8	8	15.7	12.5	1
6708 10	10	18.5	13	1
6708 12	12	20.7	15	2
6708 14	14	23.7	15	2

Accessory Mod. SP

Disconnecting tube set

The set includes keys to disconnect tubes with diameters between 4 and 12 mm.



Mod.
SP