

Technical Information

STG700 SmartLine Gauge Pressure Specification 34-ST-03-102



Introduction

Part of the SmartLine® family of products, the STG700 and STG70L are suitable for monitoring, control and data acquisition. STG70X products feature piezoresistive sensor technology combining pressure sensing with on chip temperature compensation capabilities providing high accuracy, stability and performance over a wide range of application pressures and temperatures. The SmartLine family is also fully tested and compliant with Experia® PKS providing the highest level of compatibility assurance and integration capabilities. SmartLine easily meets the most demanding application needs for pressure measurement applications.

Best in Class Features:

- Accuracy up to 0.065 % of calibrated span
- Stability up to 0.02% of URL per year for five years
- Automatic temperature compensation
- Rangeability up to 100:1
- Response times as fast as 100ms
- Alphanumeric display capabilities
- External zero, span, & configuration capability
- Polarity insensitive electrical connections
- On-board diagnostic capabilities
- Integral Dual Seal design for safety based on ANSI/NFPA 70-202 and ANSI/ISA 12.27.0
- Full compliance to SIL 2/3 requirements as a standard.
- Modular design characteristics

Span & Range Limits:

Model	URL/Ma x Span psi (bar)	LRL psi (bar)	Min Span	Turn down
STG730/STG73L	50 (3.5)	-14.7 (-1.0)	0.5 (0.035)	100:1
STG740/STG74L	500 (35)	-14.7 (-1.0)	5 (.35)	100:1
STG770/STG77L	3000 (210)	-14.7 (-1.0)	30 (2.1)	100:1
STG78L	6000 (420)	-14.7 (-1.0)	60 (4.2)	100:1
STG79L	10000	-14.7 (-1.0)	100 (6.9)	100:1



Figure 1 – STG700 Gauge Pressure Transmitters feature field-proven piezoresistive sensor technology

Communications/Output Options:

- Honeywell Digitally Enhanced (DE)
- HART® (version 7.0)
- FOUNDATION™ Fieldbus

All transmitters are available with the above listed communications protocols.

Description

The SmartLine family pressure transmitters are designed around a high performance piezo-resistive sensor. This one sensor actually integrates multiple sensors linking process pressure measurement with on-board static pressure (DP Models) and temperature compensation measurements. This level of performance allows the ST 700 to replace most competitive transmitters available today.

Indication/Display Option

The ST 700 modular design accommodates a basic alphanumeric LCD display.

Basic Alphanumeric LCD Display Features

- Modular (may be added or removed in the field)
- 0, 90,180, & 270 degree position adjustments
- Configurable (HART only) and standard (Pa, KPa, MPa, KGcm², Torr, ATM, inH₂O, mH₂O, bar, mbar, inH₂O, inHG, FTH₂O, mmH₂O, mm HG, & psi) measurement units
- 2 Lines 16 Characters (4.13H x 1.83W mm)
- Square root output indication ($\sqrt{\quad}$)

Simple LCD Display Features

- Modular (may be added or removed in the field)
- Supports HART protocol variant
- 0, 90,180, & 270 degree position adjustments
- Configurable (HART only) and standard (Pa, KPa, MPa, KGcm², Torr, ATM, inH₂O, mH₂O, bar, mbar, inH₂O, inHG, FTH₂O, mmH₂O, mm HG, & psi) measurement units.
- Supports Flow engineering units
- 2 Lines 6 digits PV (9.95H x 4.20W mm) 8 Characters
- Square root output indication ($\sqrt{\quad}$) and Write protect Indication
- Built in Basic Device Configuration through Internal Buttons – Range/Engineering Unit/Loop Test /Loop Calibration/Zero /Span Setting

Diagnostics

SmartLine transmitters all offer digitally accessible diagnostics which aid in providing advanced warning of possible failure events minimizing unplanned shutdowns, providing **lower overall operational costs**

System Integration

- SmartLine communications protocols all meet the most current published standards for HART/DE/Fieldbus.
- Integration with Honeywell's Experion PKS offers the following unique advantages.
- Tamper reporting
- FDM Plant Area Views with Health summaries
- All ST 700 units are Experion tested to provide the highest level of compatibility assurance

Configuration Tools

External Three Button Configuration Option

Suitable for all electrical and environmental requirements, SmartLine offers the ability to configure the transmitter and display via three externally accessible buttons when a display option is selected. Zero/span capabilities are also optionally available via these buttons with or without selection of the display option.

Internal Two Button Configuration Option

The Simple display has two buttons that can be used for Basic configuration such as re ranging, PV Engineering unit setting, Zero/Span settings and Loop testing and calibration functions.

Hand Held Configuration

SmartLine transmitters feature two-way communication and configuration capability between the operator and the transmitter. This is accomplished via Honeywell's field-rated Multiple Communication Configurator (MCT404). The MCT404 is capable of field configuring DE and HART Devices and can also be ordered for use in intrinsically safe environments. All Honeywell transmitters are designed and tested for compliance with the offered communication protocols and are designed to operate with any properly validated hand held configuration device.

Personal Computer Configuration

Honeywell's SCT 3000 Configuration Toolkit provides an easy way to configure Digitally Enhanced (DE) instruments using a personal computer as the configuration interface. Field Device Manager (FDM) Software and FDM Express are also available for managing HART & Fieldbus device configurations.

Modular Design

To help contain maintenance & inventory costs, all ST 700 transmitters are modular in design supporting the user's ability to replace meter bodies, add indicators or change electronic modules without affecting overall performance or approval body certifications. Each meter body is uniquely characterized to provide in-tolerance performance over a wide range of application variations in temperature and pressure and due to the Honeywell advanced interface, electronic modules may be swapped with any electronics module without losing in-tolerance performance characteristics.

Modular Features

- Meter body replacement
- Exchange/replace electronics/comms modules*
- Add or remove integral indicator*
- Add or remove lightning protection (terminal connection)*

* Field replaceable in all electrical environments (including IS) except flameproof without violating agency approvals.

With no performance effects, Honeywell's unique modularity results in **lower inventory needs and lower overall operating costs**.

Performance Specifications

Reference Accuracy: (conformance to +/-3 Sigma)

Table 1

	Model	URL	LRL	Min Span	Maximum Turndown Ratio	Stability (% URL/Year for five years)	Reference Accuracy (% Span) ^{1,2}
Standard Accuracy	STG730	50 psi (3.5 bar)	-14.7 psi (-1.0 bar)	0.5 psi (.035 bar)	100:1	0.02%	0.0650%
	STG73L	50 psi (3.5 bar)	-14.7 psi (-1.0 bar)	0.5 psi (.035 bar)			
	STG740	500 psi (35 bar)	-14.7 psi (-1.0 bar)	5 psi (.35 bar)			
	STG74L	500 psi (35 bar)	-14.7 psi (-1.0 bar)	5 psi (.35 bar)			
	STG770	3000 psi (210 bar)	-14.7 psi (-1.0 bar)	30 psi (2.1 bar)		0.02%	
	STG77L	3000 psi (210 bar)	-14.7 psi (-1.0 bar)	30 psi (2.1 bar)			
	STG78L	6000 psi (420 bar)	-14.7 psi (-1.0 bar)	60 psi (4.2 bar)			
	STG79L	10000 psi (690 bar)	-14.7 psi (-1.0 bar)	100 (6.9 bar)			

Zero and span may be set anywhere within the listed (URL/LRL) range limits

Accuracy, Span and Temperature Effect: (Conformance to +/-3 Sigma)

Table 2

		Accuracy ^{1,2} (% of Span)				Temperature Effect (% Span/50°F)			
		For Turndowns Greater Than	A	B	C psi (bar)	D	E		
Standard Accuracy	Model	URL							
	STG730	50 psi (3.5 bar)	25:1	0.025	0.04	2 (0.14)	0.060	0.005	
	STG73L	50 psi (3.5 bar)	12.5:1			4 (0.28)		0.010	
	STG740	500 psi (35 bar)	25:1			20 (1.4)		0.050	0.007
	STG74L	500 psi (35 bar)	25:1			30 (2.1)			0.010
	STG770	3000 psi (210 bar)	10:1			300 (21.0)	0.150	0.010	
	STG77L	3000 psi (210 bar)	10:1			350 (24.2)		0.015	
	STG78L	6000 psi (420 bar)	12:1			500 (34.4)		0.050	
STG79L	10000 psi (690 bar)	10:1	1000 (69.0)				0.100		
Turn Down Effect ± $\left[A + B \left(\frac{C}{\text{Span}} \right) \right]$ % Span						Temp Effect ± $\left[D + E \left(\frac{\text{URL}}{\text{Span}} \right) \right]$ % Span per 28°C (50°F)			

Total Performance (% of Span):

Total Performance Calculation: = +/- $\sqrt{(\text{Accuracy})^2 + (\text{Temperature Effect})^2}$

Total Performance Examples (for comparison): @ 5:1 Turndown, +/-50 °F (28°C) shift

STG730 @ 100 psi: 0.107% of span

STG73L @ 100 psi: 0.119% of span

STG740 @ 100 psi: 0.107% of span

STG74L @ 100 psi: 0.119% of span

STG770 @ 600 psi: 0.119 % of span

STG77L @ 600 psi: 0.141% of span

STG78L @ 1200 psi: 0.307% of span

STG79L @ 2000 psi: 0.653% of span

Typical Calibration Frequency:

Calibration verification is recommended every two (2) years

Notes:

- Terminal Based Accuracy - Includes combined effects of linearity, hysteresis, and repeatability. Analog output adds 0 .005% of span.
- For zero based spans and reference conditions of: 25 °C (77oF) for LRV > = 0 psia, 10 to 55% RH, and 316 Stainless Steel barrier diaphragm.

Operating Conditions – All Models

Parameter	Reference Condition		Rated Condition		Operative Limits		Transportation and Storage	
	°C	°F	°C	°F	°C	°F	°C	°F
Ambient Temperature ¹	25±1	77±2	-40 to 85	-40 to 185	-40 to 85	-40 to 185	-55 to 120	-67 to 248
Meter Body Temperature ²	25±1	77±2	-40 to 110	-40 to 230	-40 to 125	-40 to 257	-55 to 120	-67 to 248
Humidity %RH	10 to 55		0 to 100		0 to 100		0 to 100	
Vac. Region – Min. Pressure mmHg absolute inH ₂ O absolute	Atmospheric Atmospheric		25 13		2 (short term) ³ 1 (short term) ³			
Supply Voltage Load Resistance	10.8 to 42.4 Vdc at terminals 0 to 1,440 ohms (as shown in Figure 2)							
Maximum Allowable Working Pressure (MAWP) ^{4,5} <small>(ST700 products are rated to Maximum Allowable Working Pressure. MAWP depends on Approval Agency and transmitter materials of construction.)</small>	STG730: 50 psi (3.5 bar) STG740: 500 psi (35 bar) STG770: 3000 psi (210 bar)		STG73L: 50 psi (3.5 bar) STG74L: 500 psi (35 bar) STG77L: 3000 psi (210 bar) STG78L: 6000 psi (420 bar) STG79L: 10000 psi (690 bar)					

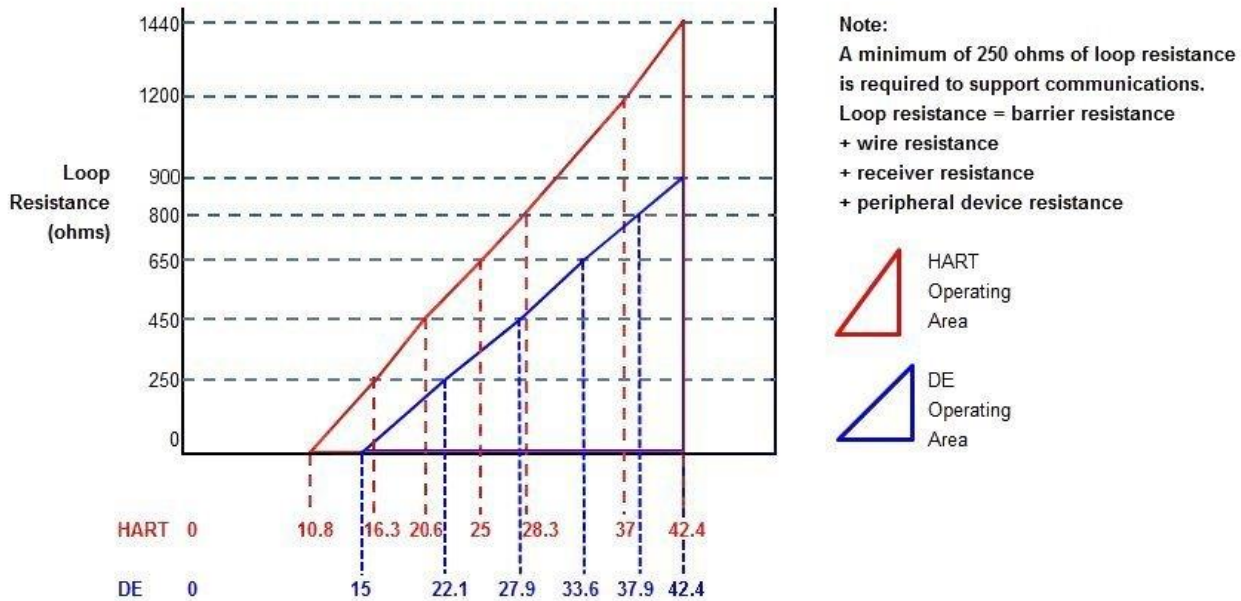
¹ LCD Display operating temperature -20°C to +70°C Storage temperature -30°C to 80°C.

² Silicone 704 minimum temperature rating is 0°C (32°F). NEOBEE® M-20 minimum temperature rating is -15°C (5°F) NEOBEE® is a registered trademark of Stepan Company

³ Short term equals 2 hours at 70°C (158°F)

⁴ Units can withstand overpressure of 1.5 x MAWP without damage

⁵ Consult the factory for MAWP of ST 700 transmitters with CRN approval



For DE, $R_{lmax} = 35 * (\text{Power Supply Voltage} - 15)$
 For HART, $R_{lmax} = 45.6 * (\text{Power Supply Voltage} - 10.8)$

Figure 2 - Supply voltage and loop resistance chart & calculations

Performance Under Rated Conditions – All Models

Parameter	Description									
Analog Output Digital Communications:	Two-wire, 4 to 20 mA (HART & DE Transmitters only) Honeywell DE, HART 7 protocol or FOUNDATION Fieldbus ITK 6.0.1 compliant All transmitters, irrespective of protocol have polarity insensitive connection.									
HART & DE Output Failure Modes (NAMUR for DE Units requires selecting display and configuration buttons or factory configuration)	<table border="0"> <thead> <tr> <th></th> <th>Honeywell Standard:</th> <th>NAMUR NE 43 Compliance:</th> </tr> </thead> <tbody> <tr> <td>Normal Limits:</td> <td>3.8 – 20.8 mA</td> <td>3.8 – 20.5 mA</td> </tr> <tr> <td>Failure Mode:</td> <td>≤ 3.6 mA and ≥ 21.0 mA</td> <td>≤ 3.6 mA and ≥ 21.0 mA</td> </tr> </tbody> </table>		Honeywell Standard:	NAMUR NE 43 Compliance:	Normal Limits:	3.8 – 20.8 mA	3.8 – 20.5 mA	Failure Mode:	≤ 3.6 mA and ≥ 21.0 mA	≤ 3.6 mA and ≥ 21.0 mA
	Honeywell Standard:	NAMUR NE 43 Compliance:								
Normal Limits:	3.8 – 20.8 mA	3.8 – 20.5 mA								
Failure Mode:	≤ 3.6 mA and ≥ 21.0 mA	≤ 3.6 mA and ≥ 21.0 mA								
Supply Voltage Effect	0.005% span per volt.									
Transmitter Turn on Time (includes power up & test algorithms)	HART or DE: 2.5 sec Foundation Fieldbus: Host dependant									
Response Time (delay + time constant)	<table border="0"> <thead> <tr> <th><u>DE/HART Protocol</u></th> <th><u>FOUNDATION Fieldbus</u></th> </tr> </thead> <tbody> <tr> <td>100ms</td> <td>150ms (Host Dependant)</td> </tr> </tbody> </table>	<u>DE/HART Protocol</u>	<u>FOUNDATION Fieldbus</u>	100ms	150ms (Host Dependant)					
<u>DE/HART Protocol</u>	<u>FOUNDATION Fieldbus</u>									
100ms	150ms (Host Dependant)									
Damping Time Constant	HART: Adjustable from 0 to 32 seconds in 0.1 increments. Default Value: 0.5 seconds DE: Discrete values 0, 0.16, 0.32, 0.48, 1, 2, 4, 8, 16, 32 seconds. Default Value: 0.48 seconds									
Vibration Effect:	Less than +/- 0.1% of URL w/o damping Per IEC60770-1 field or pipeline, high vibration level (10-2000Hz: 0.21 displacement/3g max acceleration)									
Electromagnetic Compatibility	IEC 61326-3-1									
Lightning Protection Option	Leakage Current: 10uA max @ 42.4VDC 93C Impulse rating: 8/20uS 5000A (>10 strikes) 10000A (1 strike min.) 10/1000uS 200A (> 300 strikes)									

Materials Specifications (see model selection guide for availability/restrictions with various models)

Parameter	Description
Barrier Diaphragms Material	STG700: 316L SS, Hastelloy® C-276 ² , Monel® 400 ³ , Tantalum STG70L: 316L SS, Hastelloy C-276
Process Head Material	STG700: Carbon Steel (Zinc Plated) ⁵ , 316 SS ⁴ , Hastelloy® C-276 ⁶ , Monel® 400 ⁷ STG70L: 316L SS, Hastelloy® C-276 ⁶
Vent/Drain Valves & Plugs ¹	STG700: 316 SS ⁴ , Hastelloy C-276 ² , Monel 400 ⁷ STG70L: N/A
Head Gaskets	STG700: Glass-filled PTFE standard. Viton® and graphite are optional. STG70L: N/A
Meter Body Bolting	STG700: Carbon Steel (Zinc plated) standard. Options include 316 SS, NACE A286 SS bolts and nuts or NACE A286 SS bolts and 304 SS nuts STG70L: N/A
Mounting Bracket	Carbon Steel (Zinc-plated) or 304 Stainless Steel or 316 Stainless Steel. See Figures 4 & 5
Fill Fluid	Silicone, CTFE, NEOBEE M-20, Silicone 704.
Electronic Housing	Pure Polyester Powder Coated Low Copper (<0.4%)-Aluminum. Meets NEMA 4X, IP66, IP67 and NEMA 7 (explosion proof). All stainless steel housing is optional.
Process Connections	STG700: ½ -inch NPT(female), DIN 19213 (standard) STG70L: ½ -inch NPT(female), ½ -inch NPT male, 9/16 Aminco, DIN19213 (except STG79L), G½ -B Male Thread
Wiring	Accepts up to 16 AWG (1.5 mm diameter).
Dimensions	See Figures 4 & 5
Net Weight	STG700: 8.3 pounds (3.8 Kg). STG70L: 3.6 pounds (1.6 Kg) with Aluminum Housing

¹ Vent/Drains are sealed with Teflon®² Hastelloy® C-276 or UNS N10276³ Monel® 400 or UNS N04400⁴ Supplied as 316 SS or as Grade CF8M, the casting equivalent of 316 SS.⁵ Carbon Steel heads are zinc-plated and not recommended for water service due to hydrogen migration. For that service, use 316 stainless steel wetted Process Heads.⁶ Hastelloy® C-276 or UNS N10276. Supplied as indicated or as Grade CW12MW, the casting equivalent of Hastelloy® C-276⁷ Monel® 400 or UNS N04400. Supplied as indicated or as Grade M30C, the casting equivalent of Monel® 400

Communications Protocols & Diagnostics

HART Protocol

Version:

HART 7

Power Supply

Voltage: 10.8 to 42.4Vdc at terminals

Load: Maximum 1440 ohms See figure 2

Minimum Load: 0 ohms. (For handheld communications a minimum load of 250 ohms is required)

Foundation Fieldbus (FF)

Power Supply Requirements

Voltage: 9.0 to 32.0Vdc at terminals

Steady State Current: 17.6mAdc

Software Download Current: 27.4mAdc

Available Function Blocks

Block Type	Qty	Execution Time
Resource	1	n/a
Transducer	1	n/a
Diagnostic	1	n/a
Analog Input	1*	30 ms
PID w/Autotune	1	45 ms
Integrator	1	30 ms
Signal Char (SC)	1	30 ms
LCD Display	1	n/a
Flow Block	1	30 ms
Input Selector	1	30 ms
Arithmetic	1	30 ms

* AI block may have two (2) additional instantiations.

All available function blocks adhere to FOUNDATION Fieldbus standards. PID blocks support ideal & robust PID algorithms with full implementation of Auto-tuning.

Link Active Scheduler

Transmitters can perform as a backup Link Active Scheduler and take over when the host is disconnected.

Acting as a LAS, the device ensures scheduled data transfers typically used for the regular, cyclic transfer of control loop data between devices on the Fieldbus.

Number of Devices/Segment

Entity IS model: 6 devices/segment

Schedule Entries

18 maximum schedule entries

Number of VCR's: 24 max

Compliance Testing: Tested according to ITK 6.0.1

Software Download

Utilizes Class-3 of the Common Software Download procedure as per FF-883 which allows the field devices of any manufacturer to receive software upgrades from any host.

Honeywell Digitally Enhanced (DE)

DE is a Honeywell proprietary protocol which provides digital communications between Honeywell DE enabled field devices and Hosts.

Power Supply

Voltage: 10.8 to 42.4Vdc at terminals

Load: Maximum 1440 ohms See figure 2

Standard Diagnostics

ST 700 top level diagnostics are reported as either critical or non-critical and readable via the DD/DTM tools or integral display as shown

Critical Diagnostics

HART DD/DTM Tools	Basic Display	Simple Display
Electronic Module DAC Failure	Electronics module fault	Fault Comm EI
Meter Body NVM Corrupt	Meter Body fault	Fault Mtrbody
Config. Data Corrupt	Electronics module fault	Fault Comm EI
Electronic Module Diag Failure	Electronics module fault	Fault Comm EI
Meter Body Critical Failure	Meter Body fault	Fault Mtrbody
Sensor Comms Timeout	Meter Body Comm fault	Fault Mbd Com

Non-Critical Diagnostics

HART DD/DTM Tools
Display Failure
Electronic Module Comm Failure
Meter Body Excess Correct
Sensor Over Temperature
Fixed Current Mode
PV Out of Range
No Factory Calibration
No DAC Compensation
LRV Set Error – Zero Config. Button
URV Set Error – Zero Config. Button
AO Out of Range
Loop Current Noise
Meter Body Unreliable Comm
Tamper Alarm,
No DAC Calibration
Sensor Supply Voltage Low

Refer to ST 700 manuals for additional level diagnostic information.

Approval Certifications:

AGENCY	TYPE OF PROTECTION	COMM. OPTION	FIELD PARAMETERS	AMBIENT TEMP (Ta)
FM Approvals™	Explosionproof: Class I, Division 1, Groups A, B, C, D; Dust Ignition Proof: Class II, III, Division 1, Groups E, F, G; T4 Class I, Zone 0/1, AEx d IIC Ga/Gb Class II, Zone 21, AEx tb IIIC Db T 95°C	All	Note 1	T5: -50 °C to 85°C T6: -50 °C to 65°C
	Intrinsically Safe: Class I, II, III, Division 1, Groups A, B, C, D, E, F, G; T4 Class I, Zone 0, AEx ia IIC Ga T4 FISCO Field Device (Only for FF Option) Ex ia IIC T4	4-20 mA / DE/ HART	Note 2a	-50 °C to 70°C
	FISCO Field Device (Only for FF Option) Ex ia IIC T4	Foundation Fieldbus	Note 2b	-50 °C to 70°C
	Nonincendive: Class I, Division 2, Groups A, B, C, D locations, Class I, Zone 2, AEx nA IIC Gc T4	4-20 mA / DE/ HART/ Foundation Fieldbus	Note 1	-50 °C to 85°C
	Enclosure: Type 4X/ IP66/ IP67	All	All	-
	Canadian Standards Association (CSA)	Explosion Proof: Class I, Division 1, Groups A, B, C, D; Dust Ignition Proof: Class II, III, Division 1, Groups E, F, G; Ex d IIC Ga T4 Ex tb IIIC Db T 95°C	All	Note 1
Intrinsically Safe: Class I, II, III, Division 1, Groups A, B, C, D, E, F, G; T4 Ex ia IIC Ga T4 FISCO Field Device (Only for FF Option) Ex ia IIC T4		4-20 mA / DE/ HART	Note 2a	-50 °C to 70°C
FISCO Field Device (Only for FF Option) Ex ia IIC T4		Foundation Fieldbus	Note 2b	-50 °C to 70°C
Nonincendive: Class I, Division 2, Groups A, B, C, D; T4 Ex nA IIC Gc T4		4-20 mA / DE/ HART/ Foundation Fieldbus	Note 1	-50 °C to 85°C
Enclosure: Type 4X/ IP66/ IP67		All	All	-

Approval Certifications: (Continued)

ATEX	Flameproof: II 1/2 G Ex d IIC Ga/Gb II 2 D Ex tb IIIC Db T 95°C	All	Note 1	T5: -50 °C to 85°C T6: -50 °C to 65°C
	Intrinsically Safe: II 1 G Ex ia IIC Ga T4	4-20 mA / DE/ HART	Note 2a	-50 °C to 70°C
	FISCO Field Device (Only for FF Option) Ex ia IIC T4	Foundation Fieldbus	Note 2b	-50 °C to 70°C
	Nonincendive: II 3 G Ex nA IIC Gc T4	4-20 mA / DE/ HART/ Foundation Fieldbus	Note 1	-50 °C to 85°C
	Enclosure: IP66/ IP67	All	All	-
IECEX (World)	Flameproof : Ex d IIC Ga/Gb T4 Ex tb IIIC Db T 95°C	All	Note 1	T5: -50 °C to 85°C T6: -50 °C to 65°C
	Intrinsically Safe: Ex ia IIC Ga T4	4-20 mA / DE/ HART	Note 2a	-50 °C to 70°C
	FISCO Field Device (Only for FF Option) Ex ia IIC T4	Foundation Fieldbus	Note 2b	-50 °C to 70°C
	Nonincendive: Ex nA IIC Gc T4	4-20 mA / DE/ HART/ Foundation Fieldbus	Note 1	-50 °C to 85°C
	Enclosure: IP66/ IP67	All	All	-
SAEx (South Africa)	Flameproof : Ex d IIC Ga/Gb T4 Ex tb IIIC Db T 95°C	All	Note 1	-50 °C to 85°C
	Intrinsically Safe: Ex ia IIC Ga T4	4-20 mA / DE/ HART	Note 2a	-50 °C to 70°C
	FISCO Field Device (Only for FF Option) Ex ia IIC T4	Foundation Fieldbus	Note 2b	-50 °C to 70°C
	Nonincendive: Ex nA IIC Gc T4	4-20 mA / DE/ HART/ Foundation Fieldbus	Note 1	-50 °C to 85°C
	Enclosure: IP66/ IP67	All	All	-
INMETRO (Brazil)	Flameproof: Ex d IIC Ga/ Gb T4 Ex tb IIIC Db T 95°C	All	Note 1	-50 °C to 85°C
	Intrinsically Safe: Ex ia IIC Ga T4	4-20 mA / DE/ HART	Note 2a	-50 °C to 70°C
	FISCO Field Device (Only for FF Option) Ex ia IIC T4	Foundation Fieldbus	Note 2b	-50 °C to 70°C
	Nonincendive: Ex nA IIC Gc T4	4-20 mA / DE/ HART/ Foundation Fieldbus	Note 1	-50 °C to 85°C
	Enclosure : IP 66/67	All	All	-

Approval Certifications: (Continued)

Marine Certificates	<p>This certificate defines the certifications covered for the ST 800 Pressure Transmitter family of products, including the SMV 800 Smart Multivariable Transmitter. It represents the compilation of the five certificates Honeywell currently has covering the certification of these products into marine applications.</p> <p>For SmartLine Pressure Transmitter and SMV800 Smart Multivariable Transmitter</p>
	<p>American Bureau of Shipping (ABS) - 2009 Steel Vessel Rules 1-1-4/3.7, 4-6-2/5.15, 4-8-3/13 & 13.5, 4-8-4/27.5.1, 4-9-7/13. Certificate number: 04-HS417416-PDA</p>
	<p>Bureau Veritas (BV) - Product Code: 389:1H. Certificate number: 12660/B0 BV</p>
	<p>Det Norske Veritas (DNV) - Location Classes: Temperature D, Humidity B, Vibration A, EMC B, Enclosure C. For salt spray exposure; enclosure of 316 SST or 2-part epoxy protection with 316 SST bolts to be applied. Certificate number: A-11476</p>
	<p>Korean Register of Shipping (KR) - Certificate number: LOX17743-AE001</p>
	<p>Lloyd's Register (LR) - Certificate number: 02/60001(E1) & (E2)</p>
SIL 2/3 Certification	<p>IEC 61508 SIL 2 for non-redundant use and SIL 3 for redundant use according to EXIDA and TÜV Nord Sys Tec GmbH & Co. KG under the following standards: IEC61508-1: 2010; IEC 61508-2: 2010; IEC61508-3: 2010.</p>

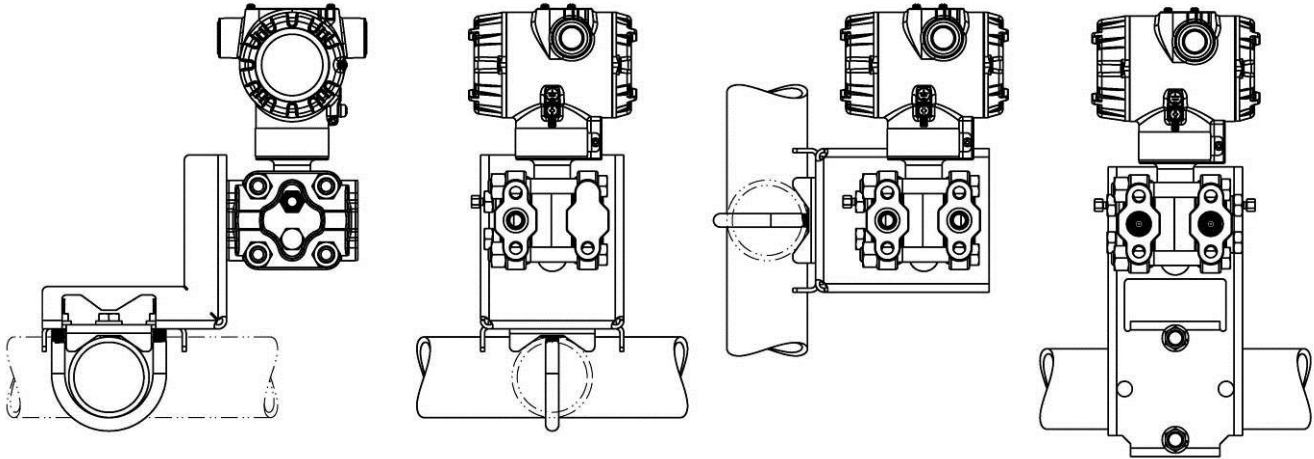
Other Certification Options**Materials**

- NACE MRO175, MRO103, ISO15156

Mounting & Dimensional Drawings)

Reference Dimensions: $\frac{\text{millimeters}}{\text{inches}}$

Mounting Configurations: (Dual head design)



Dimensions: (Dual head design)

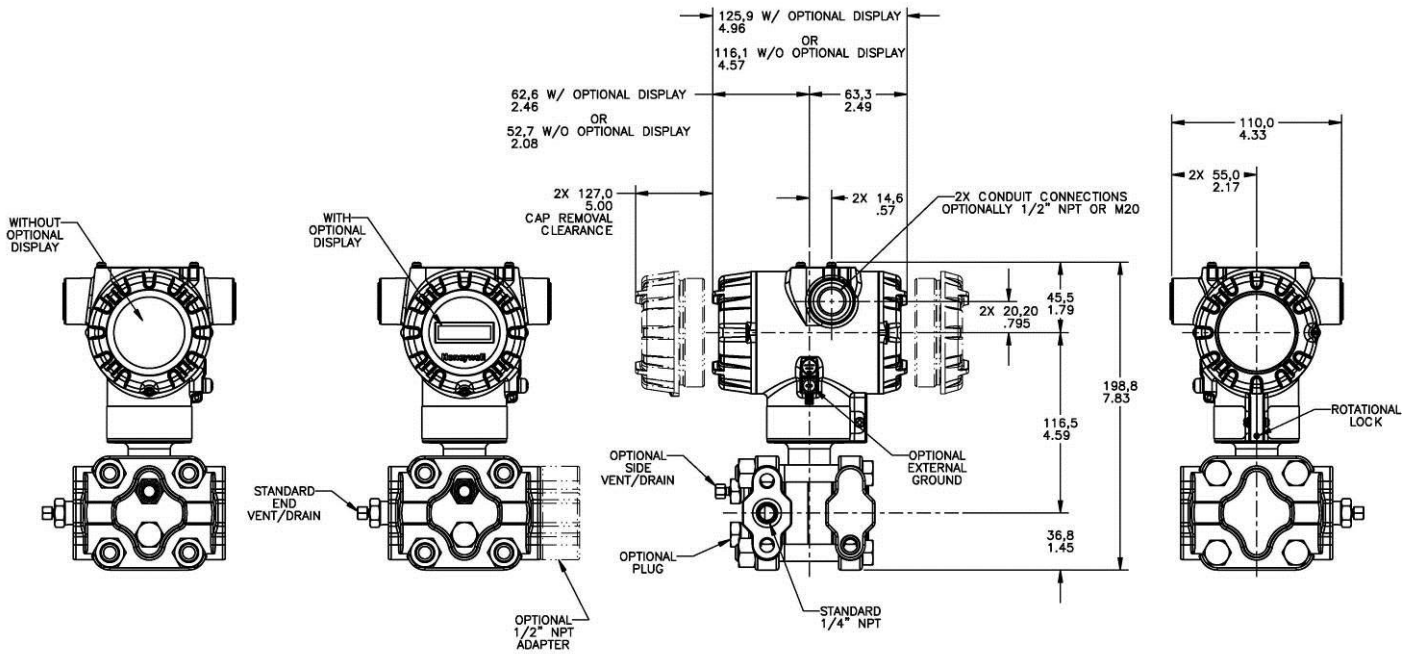
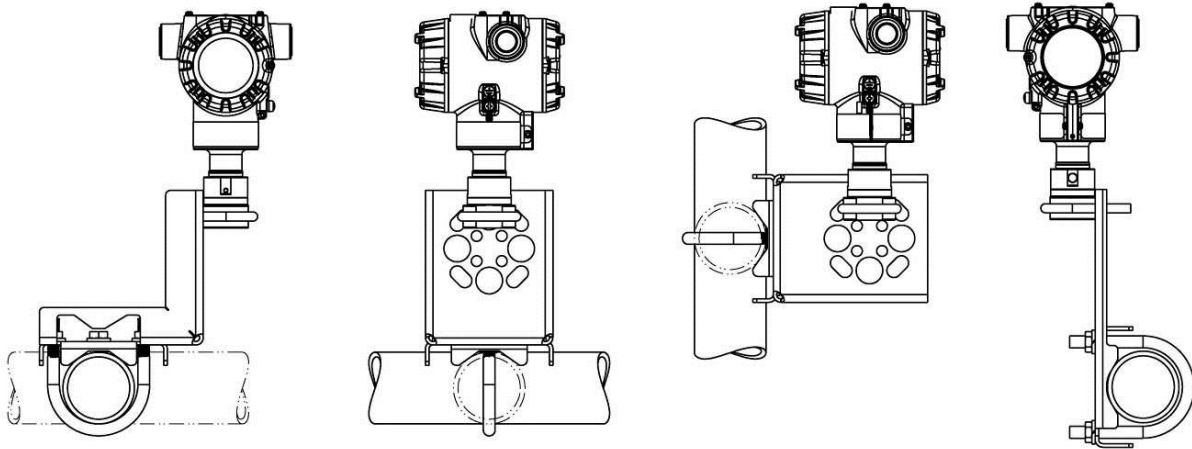


Figure 4 – Typical mounting dimensions of STG740 & STG770 for reference

Reference Dimensions: $\frac{\text{millimeters}}{\text{inches}}$

Mounting Configurations (Inline Designs)



Dimension (Inline Design)

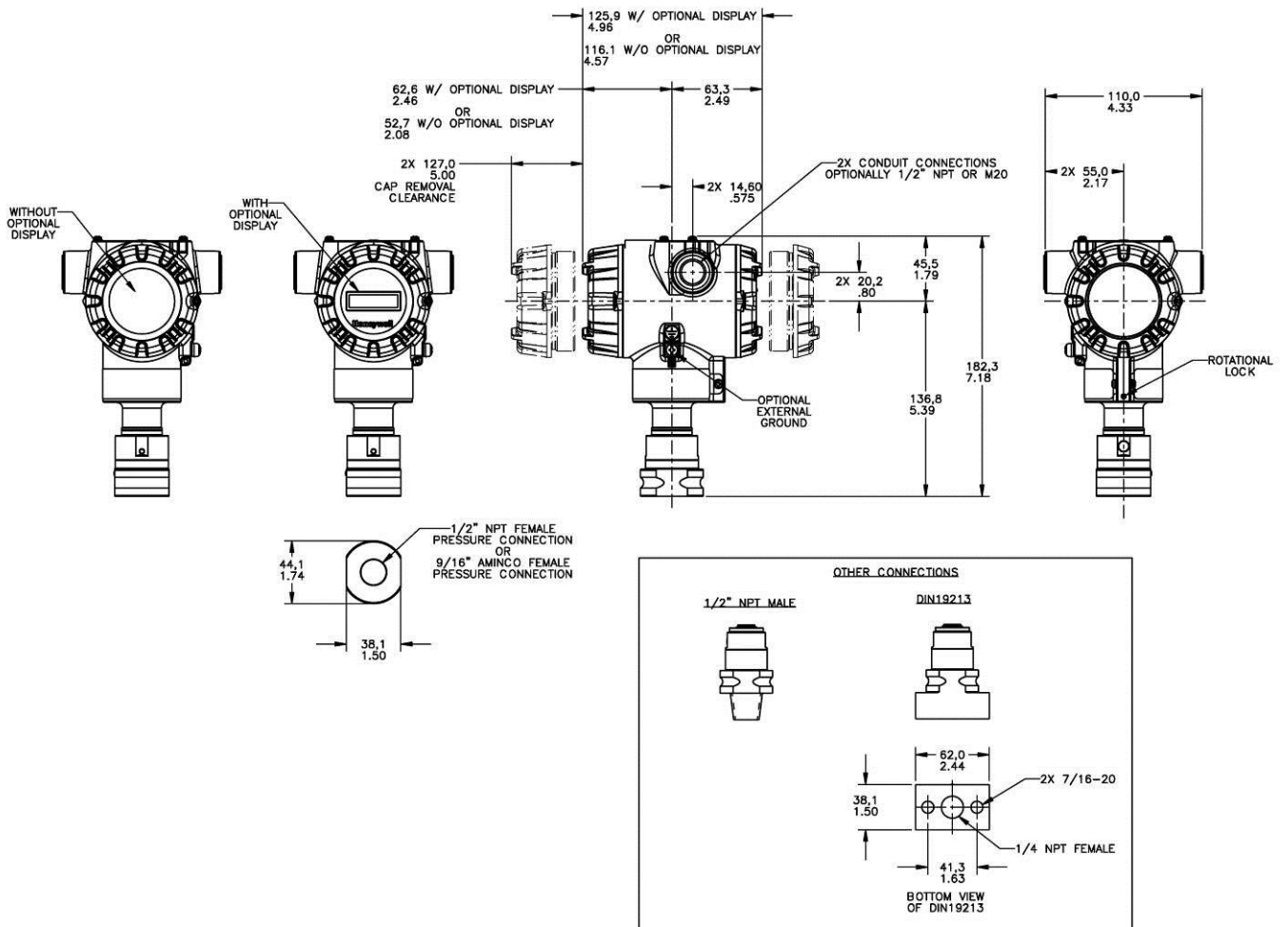


Figure 5 – Typical mounting dimensions of STG74L, STG77L, STG78L, & STG79L for reference

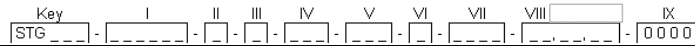
Model Selection Guides are subject to change and are inserted into the specifications as guidance only. Prior to specifying or ordering a model check for the latest revision Model Selection Guides which are published at: www.honeywellprocess.com/en-US/pages/default.aspx

Model Selection Guide

**Model STG700
Gauge Pressure Transmitters**

Model Selection Guide
34-ST-16-102 Issue 14

Instructions: Make selections from all Tables using column below the proper arrow. Asterisk indicates availability. Letter (a) refers to restrictions highlighted in the restrictions table. Tables delimited with dashes.



KEY NUMBER	URL/Max Span	LRL	Min Span	Units
Gauge Dual Head	50 (3.5)	-14.7 (-1.0)	0.5 (.035)	psi (bar)
	500 (35)	-14.7 (-1.0)	5 (.35)	psi (bar)
	3000 (210)	-14.7 (-1.0)	30 (2.1)	psi (bar)
Gauge In-Line	50 (3.5)	-14.7 (-1.0)	0.5 (.035)	psi (bar)
	500 (35)	-14.7 (-1.0)	5 (.35)	psi (bar)
	3000 (210)	-14.7 (-1.0)	30 (2.1)	psi (bar)
	6000 (420)	-14.7 (-1.0)	60 (4.2)	psi (bar)
	10000 (690)	-14.7 (-1.0)	100 (6.9)	psi (bar)

Selection	Availability			
STG730	↓			
STG740	↓			
STG770		↓		
STG73L			↓	
STG74L			↓	
STG77L				↓
STG78L				↓
STG79L				↓

TABLE I	METER BODY SELECTIONS			
a. Process Head & Diaphragm Materials	Process Head/Reference Head Material ^{1b}		Barrier Diaphragm Material	
	Plated Carbon Steel / Plated Carbon Steel		316L SS Hastelloy® C - 276 Monel 400® Tantalum	
	316 Stainless Steel / 316 Stainless Steel		316L SS Hastelloy C - 276 Monel 400 Tantalum	
	Hastelloy C - 276 / 316 Stainless Steel		Hastelloy C - 276 Tantalum	
	Monel 400 /		Monel 400	
b. Fill Fluid	Silicone Oil 200 Fluorinated Oil CTFE Silicone Oil 704 NEOBEE® M-20			
c. Process Connection	Size/Type		Material	
	9/16" Aminco		Same as Process Head	
	1/2" NPT (female)		Same as Process Head ^{1a}	
	1/2" NPT (male)		Same as Process Head	
	DIN 19213 (1/4" female NPT)		Same as Process Head	
d. Bolt/Nuts Materials	None		Same as Process Head	
	Carbon Steel		Same as Process Head	
	316 SS		Same as Process Head	
	Grade 660 (NACE A286) with NACE 304 SS Nuts		Same as Process Head	
	Grade 660 (NACE A286) Bolts & Nuts		Same as Process Head	
	Monel K500		Same as Process Head	
	Super Duplex		Same as Process Head	
e. Vent/Drain Type/Location	Head Type		Vent Type	
	None		None	
	Single Ended		None	
	Single Ended		Standard Vent	
	Single Ended		Center Vent	
	Dual Ended		Standard Vent	
	Dual Ended		Center Vent	
Dual Ended		Std Vent/Plug		
f. Gasket Materials	None		None	
	Teflon® or PTFE (Glass Filled)		None	
	Viton®		None	
	Graphite		None	

A	*	*			
B	*	*			
C	*	*			
D	a	a			
E	*	*	*	*	*
F	*	*	*	*	*
G	*	*			
H	a	a			
J	*	*	*	*	*
K	a	a			
L	a	a			
_1	*	*	*	*	*
_2	*	*	*	*	*
_3	*	*	*	*	*
_4	*	*	*	*	*

__A		*	*	*	*
__G	*	*	*	*	*
__H		*	*	*	*
__D	*	*	*	*	*
__B		*	*	*	*
__0		*	*	*	*
__C	*	*			
__S	*	*			
__N	*	*			
__K		p	p		
__M		p	p		
__D		p	p		
__B	*	*			

__0		*	*	*	*
__1	*	*			
__2	*	*			
__3		t	t		
__4	*	*			
__5		t	t		
__6	*	*			
__0		*	*	*	*
__A	*	*			
__B	*	*			
__C	*	*			

¹ Except Carbon Steel Heads shall use 316SS Vent/Drain & Plugs and or 1/2" adapters
^{1a} STG730,740,770 supplied via 1/2" flange adapter same material as process head except carbon steel shall use 316 SS
^{1b} Reference head available with Dual Head Gage models only. In-Line Gage models are supplied with Process Head only.

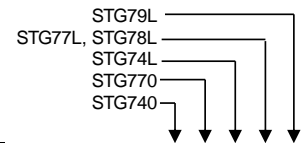


TABLE II Meter Body & Connection Orientation		
Head/Connect Orientation	Standard	High Side Left, Low Side Right ² / Std Head Orientation
	Reversed	Low Side Left, High Side Right ² / Std Head Orientation
	90/Standard	High Side Left, Low Side Right ² / 90° Head Rotation

1	*	*	*	*	*
2	*	*			
3	h	h			

TABLE III AGENCY APPROVALS	
Approvals	No Approvals Required
	<FM> Explosion proof, Intrinsically Safe, Non-incendive, & Dustproof
	CSA Explosion proof, Intrinsically Safe, Non-incendive, & Dustproof
	ATEX Explosion proof, Intrinsically Safe & Non-incendive
	IECEX Explosion proof, Intrinsically Safe & Non-incendive
	SAEx/CCoE Explosion proof, Intrinsically Safe & Non-incendive
	INMETRO Explosion proof, Intrinsically Safe & Non-incendive
	NEPSI Explosion proof, Intrinsically Safe & Non-incendive

0	*	*	*	*	*
A	*	*	*	*	*
B	*	*	*	*	p
C	*	*	*	*	*
D	*	*	*	*	*
E	*	*	*	*	*
F	*	*	*	*	*
G	*	*	*	*	*

TABLE IV TRANSMITTER ELECTRONICS SELECTIONS			
a. Electronic Housing Material & Connection Type	Material	Connection	Lightning Protection
	Polyester Powder Coated Aluminum	1/2 NPT	None
	Polyester Powder Coated Aluminum	M20	None
	Polyester Powder Coated Aluminum	1/2 NPT	Yes
	Polyester Powder Coated Aluminum	M20	Yes
	316 Stainless Steel (Grade CF8M)	1/2 NPT	None
	316 Stainless Steel (Grade CF8M)	M20	None
	316 Stainless Steel (Grade CF8M)	1/2 NPT	Yes
316 Stainless Steel (Grade CF8M)	M20	Yes	
b. Output/ Protocol	Analog Output		Digital Protocol
	4-20mA dc		HART Protocol
	4-20mA dc none		DE Protocol Foundation Fieldbus
c. Customer Interface Selections	Indicator	Ext Zero, Span & Config Buttons	Languages
	None	None	None
	None	Yes (Zero/Span Only)	None
	Basic	None	EN
	Basic	Yes	EN
	Simple (w/internal Zero, Span & Conf Buttons)	None	English

A__	*	*	*	*	*
B__	*	*	*	*	*
C__	*	*	*	*	*
D__	*	*	*	*	*
E__	*	*	*	*	*
F__	*	*	*	*	*
G__	*	*	*	*	*
H__	*	*	*	*	*

H	*	*	*	*	*
D	*	*	*	*	*
F	*	*	*	*	*

__0	*	*	*	*	*
__A	f	f	f	f	f
__B	*	*	*	*	*
__C	*	*	*	*	*
__D	u	u	u	u	u

TABLE V CONFIGURATION SELECTIONS			
a. Application Software	Diagnostics		
	Standard Diagnostics		
b. Output Limit, Failsafe & Write Protect Settings	Write Protect	Fail Mode	High & Low Output Limits ³
	Disabled	High> 21.0mA dc	Honeywell Std (3.8 - 20.8 mA dc)
	Disabled	Low< 3.6mA dc	Honeywell Std (3.8 - 20.8 mA dc)
	Enabled	High> 21.0mA dc	Honeywell Std (3.8 - 20.8 mA dc)
	Enabled	Low< 3.6mA dc	Honeywell Std (3.8 - 20.8 mA dc)
	Disabled	N/A	N/A Fieldbus
c. General Configuration	General Configuration		
	Factory Standard Custom Configuration (Unit Data Required from customer)		

1__	*	*	*	*	*
-----	---	---	---	---	---

1	f	f	f	f	f
2	f	f	f	f	f
3	f	f	f	f	f
4	f	f	f	f	f
5	g	g	g	g	g
6	g	g	g	g	g

__S	*	*	*	*	*
__C	*	*	*	*	*

² Left side/Right side as view ed from the customer connection perspective

³ NAMUR Output Limits are configurable by customer

TABLE VI CALIBRATION & ACCURACY SELECTIONS			
a. Accuracy and Calibration	Accuracy	Calibrated Range	Calibration Qty
	Standard	Factory Standard	Single Calibration
	Standard	Custom (Unit Data Required)	Single Calibration

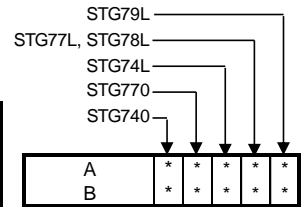


TABLE VII ACCESSORY SELECTIONS		
a. Mounting Bracket	Bracket Type	Material
	None	None
	Angle Bracket	Carbon Steel
	Angle Bracket	304 SS
	Angle Bracket	316 SS
	Marine Approved Bracket	Carbon Steel
	Marine Approved Bracket (In-Line)	Carbon Steel
	Marine Approved Bracket	304 SS
	Marine Approved Bracket (In-Line)	304 SS
	Flat Bracket	Carbon Steel
	Flat Bracket	304 SS
	Flat Bracket	316 SS

0	---	*	*	*	*	*
1	---	*	*	*	*	*
2	---	*	*	*	*	*
3	---	*	*	*	*	*
8	---	*	*	*	*	*
9	---	*	*	*	*	*
4	---	*	*	*	*	*
A	---	*	*	*	*	*
5	---	*	*	*	*	*
6	---	*	*	*	*	*
7	---	*	*	*	*	*

b. Customer Tag	Customer Tag Type
	No customer tag
	One Wired Stainless Steel Tag (Up to 4 lines 26 char/line)
	Two Wired Stainless Steel Tag (Up to 4 lines 26 char/line)

_0	---	*	*	*	*	*
_1	---	*	*	*	*	*
_2	---	*	*	*	*	*

c. Unassembled Conduit Plugs & Adapters	Unassembled Conduit Plugs & Adapters
	No Conduit Plugs or Adapters Required
	1/2 NPT Male to 3/4 NPT Female 316 SS Certified Conduit Adapter
	1/2 NPT 316 SS Certified Conduit Plug
	M20 316 SS Certified Conduit Plug
	Minifast® 4 pin (1/2 NPT) (not suitable for X-Proof applications)
	Minifast® 4 pin (M20) (not suitable for X-Proof applications)

__A0	*	*	*	*	*
__A2	n	n	n	n	n
__A6	n	n	n	n	n
__A7	m	m	m	m	m
__A8	n	n	n	n	n
__A9	m	m	m	m	m

TABLE VIII OTHER Certifications & Options: (String in sequence comma delimited (XX, XX, XX,....))	
Certifications & Warranty	No additional options
	NACE MR0175; MR0103; ISO15156 (FC33338) Process wetted parts only
	NACE MR0175; MR0103; ISO15156 (FC33339) Process wetted and non-wetted parts
	Marine (DNV, ABS, BV, KR, LR)
	EN10204 Type 3.1 Material Traceability (FC33341)
	Certificate of Conformance (F3391)
	Calibration Test Report & Certificate of Conformance (F3399)
	Certificate of Origin (F0195)
	FMEDA (SIL 2/3) Certification (FC33337)
	Over-Pressure Leak Test Certificate (1.5X MAWP) (F3392)
	Cert Clean for O ₂ or CL ₂ service per ASTM G93
	PMI Certification

00	*	*	*	*	*
FG	*	*	*	*	*
F7	c	c	c	c	c
MT	d	d	d	d	d
FX	*	*	*	*	*
F3	*	*	*	*	*
F1	*	*	*	*	*
F5	*	*	*	*	*
FE	j	j	j	j	j
TP	*	*	*	*	*
OX	e	e	e	e	e
PM	*	*	*	*	*

TABLE IX Manufacturing Specials	
Factory	Factory Identification

0000	*	*	*	*	*
------	---	---	---	---	---

RESTRICTIONS

Restriction Letter	Available Only with		Not Available with	
	Table	Selection(s)	Table	Selection(s)
a			VIII	FG, F7
c	Id	___0,N,K,D,B___	Ia	D,H,K,L_____
d	IV a	C,D,G,H__	VIIa	1,2,3,5,6,7___
e	Ib	_2_____		
f			IV b	_F_____
g			IVb	_H,D_____
h			le	4,5,6_____
			VIIa	1,2,3,4,5,6,7___
j	IV b	_H_____	Vb	_1,2,6_____
m	IV a	B,D,F,H__		
n	IV a	A,C,E,G__		
p			III	B- No CRN number available
t			Ia	J, K, L_____
u	IVb	_H_____		
b	Select Only one option from this group			

Sales and Service

For application assistance, current specifications, pricing, or name of the nearest Authorized Distributor, contact one of the offices below.

ASIA PACIFIC

Honeywell Process Solutions,
(TAC) hfs-tac-support@honeywell.com

Australia

Honeywell Limited
Phone: +(61) 7-3846 1255
FAX: +(61) 7-3840 6481
Toll Free 1300-36-39-36
Toll Free Fax:
1300-36-04-70

China – PRC - Shanghai

Honeywell China Inc.
Phone: (86-21) 5257-4568
Fax: (86-21) 6237-2826

Singapore

Honeywell Pte Ltd.
Phone: +(65) 6580 3278
Fax: +(65) 6445-3033

South Korea

Honeywell Korea Co Ltd
Phone: +(822) 799 6114
Fax: +(822) 792 9015

EMEA

Honeywell Process Solutions,
Phone: + 80012026455 or
+44 (0)1344 656000

Email: (Sales)

FP-Sales-Apps@Honeywell.com

or

(TAC)

hfs-tac-support@honeywell.com

AMERICA'S

Honeywell Process Solutions,
Phone: (TAC) 1-800-423-9883 or
215/641-3610
(Sales) 1-800-343-0228

Email: (Sales)

FP-Sales-Apps@Honeywell.com

or

(TAC)

hfs-tac-support@honeywell.com

Specifications are subject to change without notice.

For more information

To learn more about SmartLine Pressure Transmitters visit www.honeywellprocess.com
Or contact your Honeywell Account Manager

Process Solutions

Honeywell
1250 W Sam Houston Pkwy S
Houston, TX 77042

Honeywell Control Systems Ltd
Honeywell House, Skimped Hill Lane
Bracknell, England, RG12 1EB

Shanghai City Centre, 100 Jungi Road
Shanghai, China 20061

www.honeywellprocess.com

34-ST-03-102
March 2016

©2016 Honeywell International Inc.

