

Pressure microregulators Series M

Ports G1/8, G1/4

3

» Calibrated or blocked regulator available on request



The Series «M» pressure regulator is available with G1/8 and G1/4 ports. Its design incorporates a diaphragm and relieving so as to allow decremental adjustments as well.

Microregulators are available with different regulation types: non-relieving, very sensitive self-relieving (through a light air leak) and VS (valve with fast draining).

The VS version is used when a regulator should be inserted between the valve and cylinder, or capacity, without any negative influence on the exhaust.

GENERAL DATA

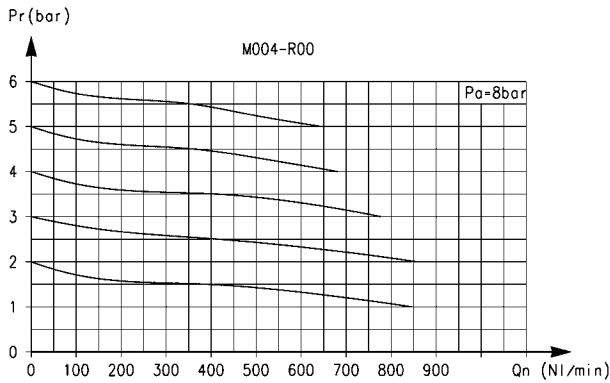
Construction	diaphragm type
Materials	brass, technopolymer, NBR
Ports	G1/8 - G1/4
Weight	Kg 0.235
Pressure gauge ports	G1/8
Mounting	in-line or panel mounting (in any position)
Operating temperature	-5°C ÷ 50°C (with the dew point of the fluid lower than 2°C at the min. working temperature)
Inlet pressure	0 ÷ 16 bar
Outlet pressure	0.5 ÷ 10 bar
Nominal flow	see graphs
Secondary pressure relieving	standard

CODING EXAMPLE

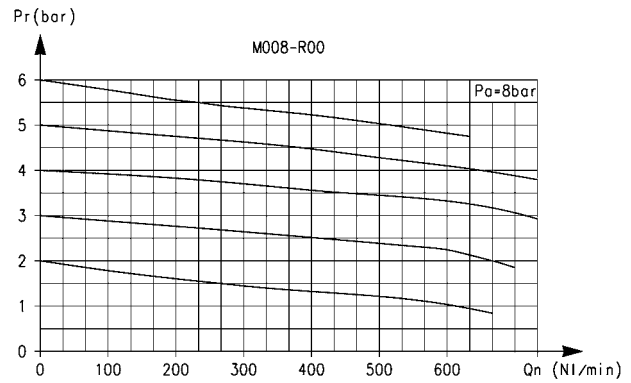
M	0	04	-	R	0	0	
---	---	----	---	---	---	---	--

M	SERIES
0	SIZE: 0
04	PORTS: 08 = G1/8 04 = G1/4
R	R = REGULATOR
0	OPERATING PRESSURE: 0 = 0,5 ÷ 10 (standard) 1 = 0 ÷ 4 2 = 0 ÷ 2 7 = 0,5 ÷ 7
0	DESIGN TYPE: 0 = self relieving 1 = non relieving 5 = precise setting
	REGULATION TYPE: = without high relief flow VS = high relief flow

FLOW DIAGRAMS

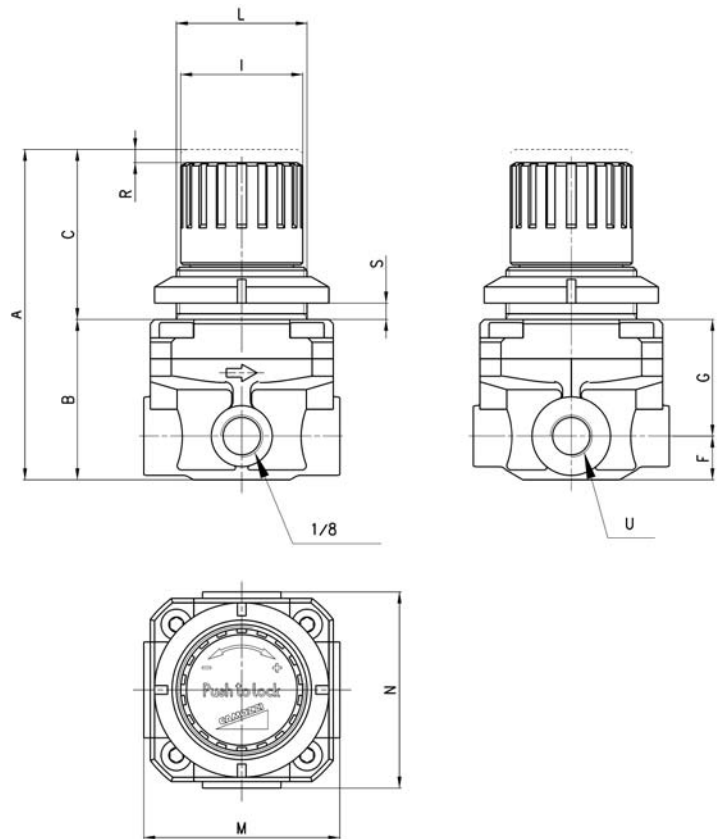


Flow diagram for models: M004-R00
Pa = Inlet pressure
Pr = Regulated pressure
Qn = Flow



Flow diagram for models: M008-R00
Pa = Inlet pressure
Pr = Regulated pressure
Qn = Flow

Microregulator Series M



DIMENSIONS

Mod.	A	B	C	F	G	I	L	M	N	R	S	U
M008-R00	76	37	39	10	27	28	30 X 1,5	45	45	3	0+6	G1/8 *
M004-R00	76	37	39	10	27	28	30 X 1,5	45	45	3	0+6	G1/4 *

* = calibrated or blocked regulator available on request