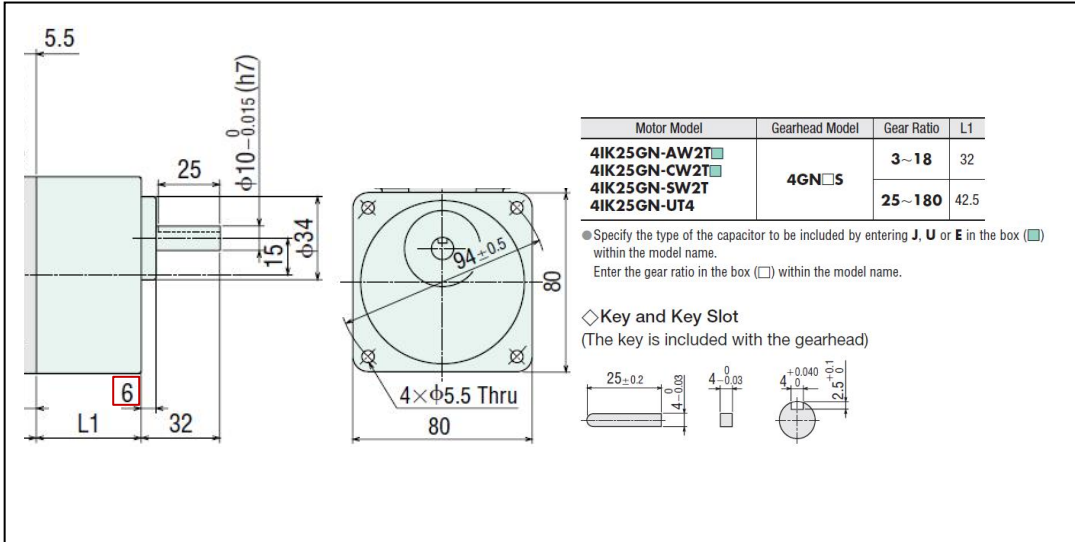
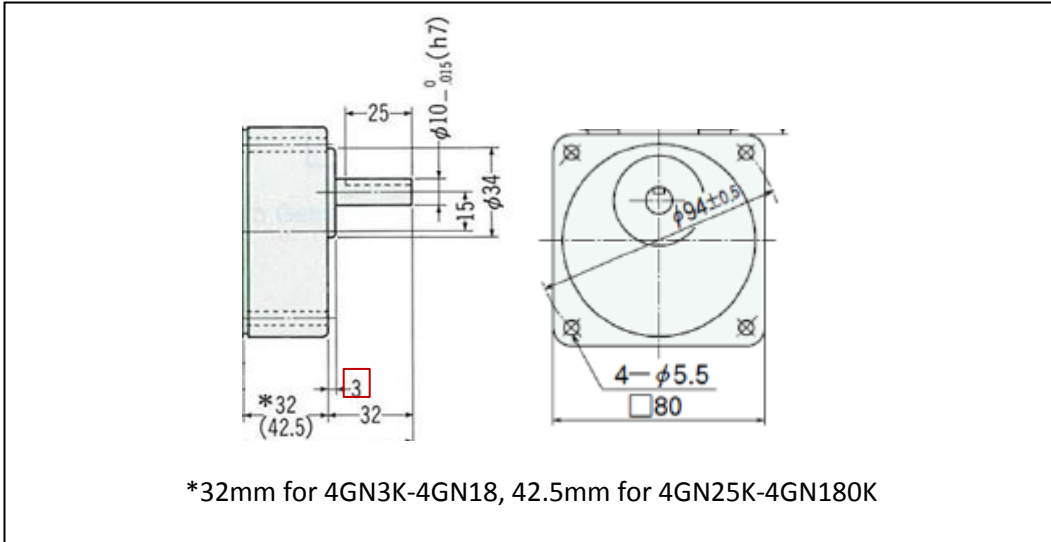
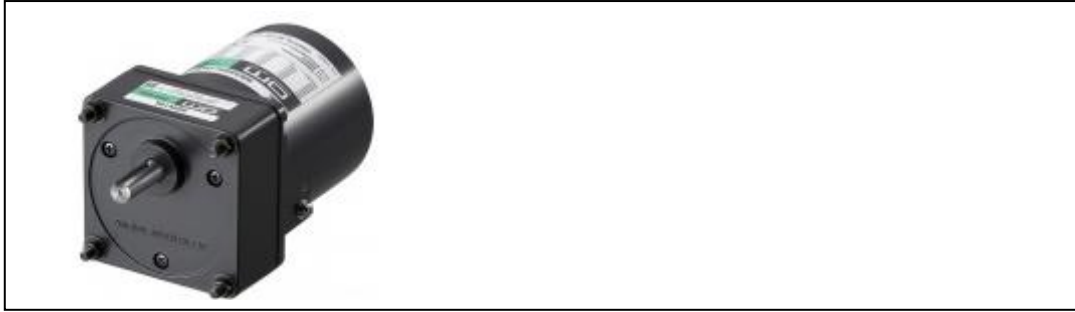
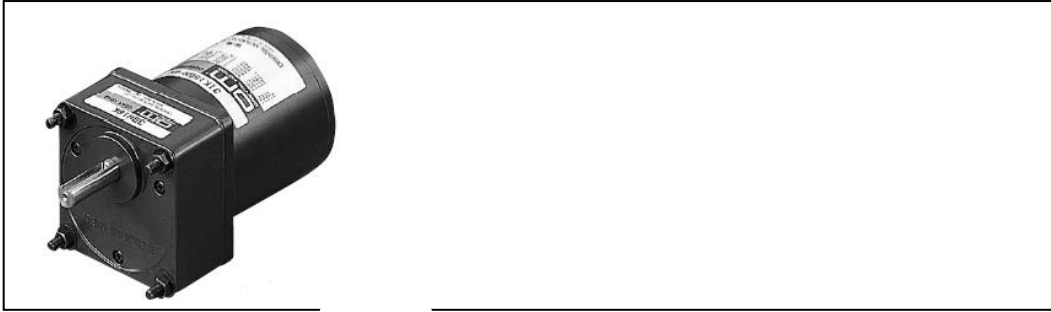


Comparison:

4GNXXK

4GNXXS

Orientalmotor



● **Long Rated Life of 10000 Hours***
The **GN-S** gearhead achieves a long rated life of 10000 hours, twice the level of a conventional gearhead, by adopting a large, specially designed bearing and reinforced gears.

*For the rated life time definition, refer to "Service Life of Gearheads" on page G-35.

● **Low Noise Design**
The **GN-S** gearhead generates less noise thanks to gears with a special shape and surface machining assembled with the use of advanced technology.

