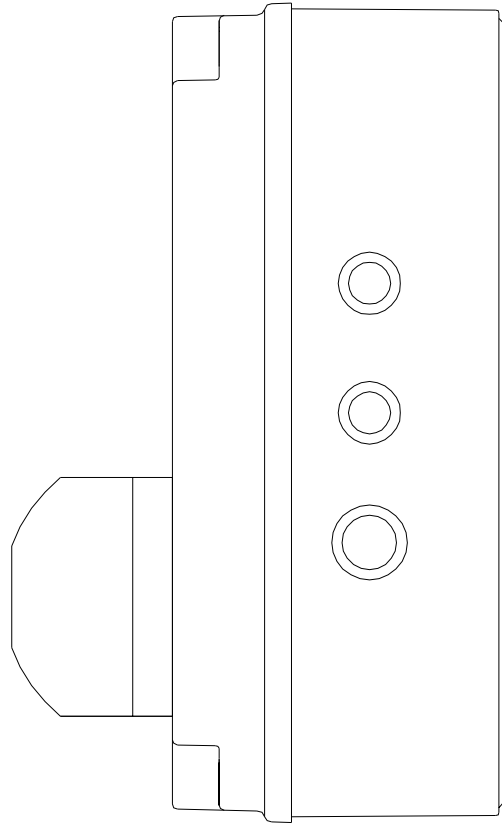
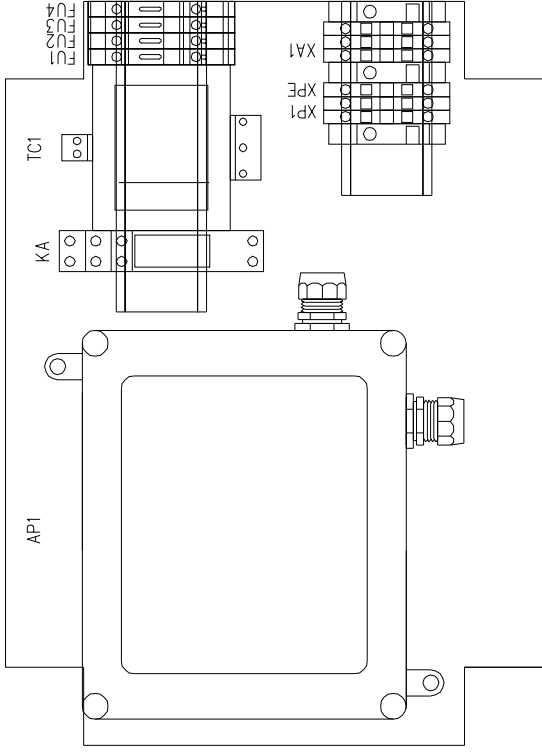
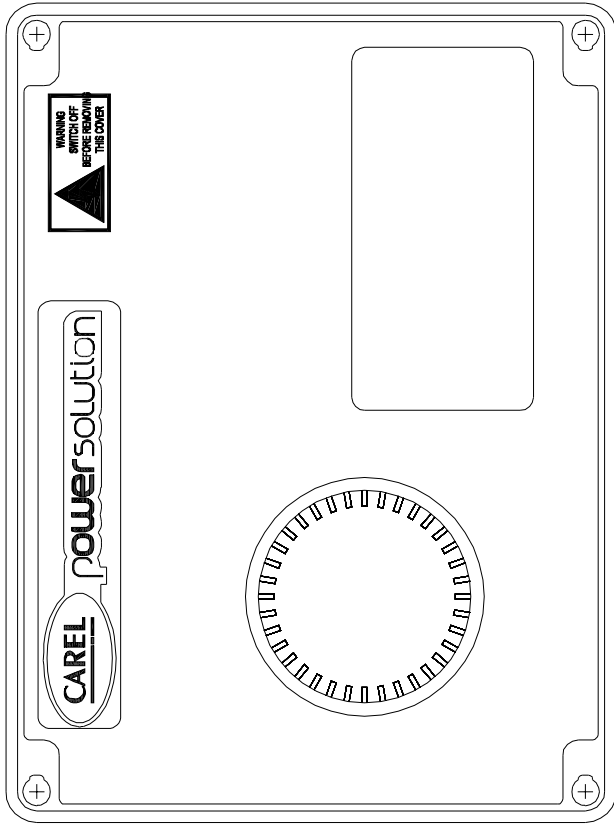


Specifications	DPWLC47000	DPWL447000
----------------	------------	------------

Power supply	
230V 1~ +N+T 50/60Hz	●
Versions	
R404a	●
CO2	●
Controllers	
DPWLC27000	●
DPWL427000	●
Inputs/Outputs	
Gas detector (connected to 5m cable extension)	1
Digital outputs (voltage free relay up to 230Vac)	1
Alarm buzzer (on panel door)	1
Other Specifications	
Casing dimensions (mm)	300X220X120
Casing colour	RAL7035 Grey
Casing material	Plastic
Protection rating	IP56
Packaging	Single
Weight KG	4.8
Terminal block support	●
Operating conditions	-20T50°C; humidity <35% n.c. -40T50°C; humidity <95% n.c.

00 01 02 03 04 05 06 07 08 09 10 11 12 13 14 15



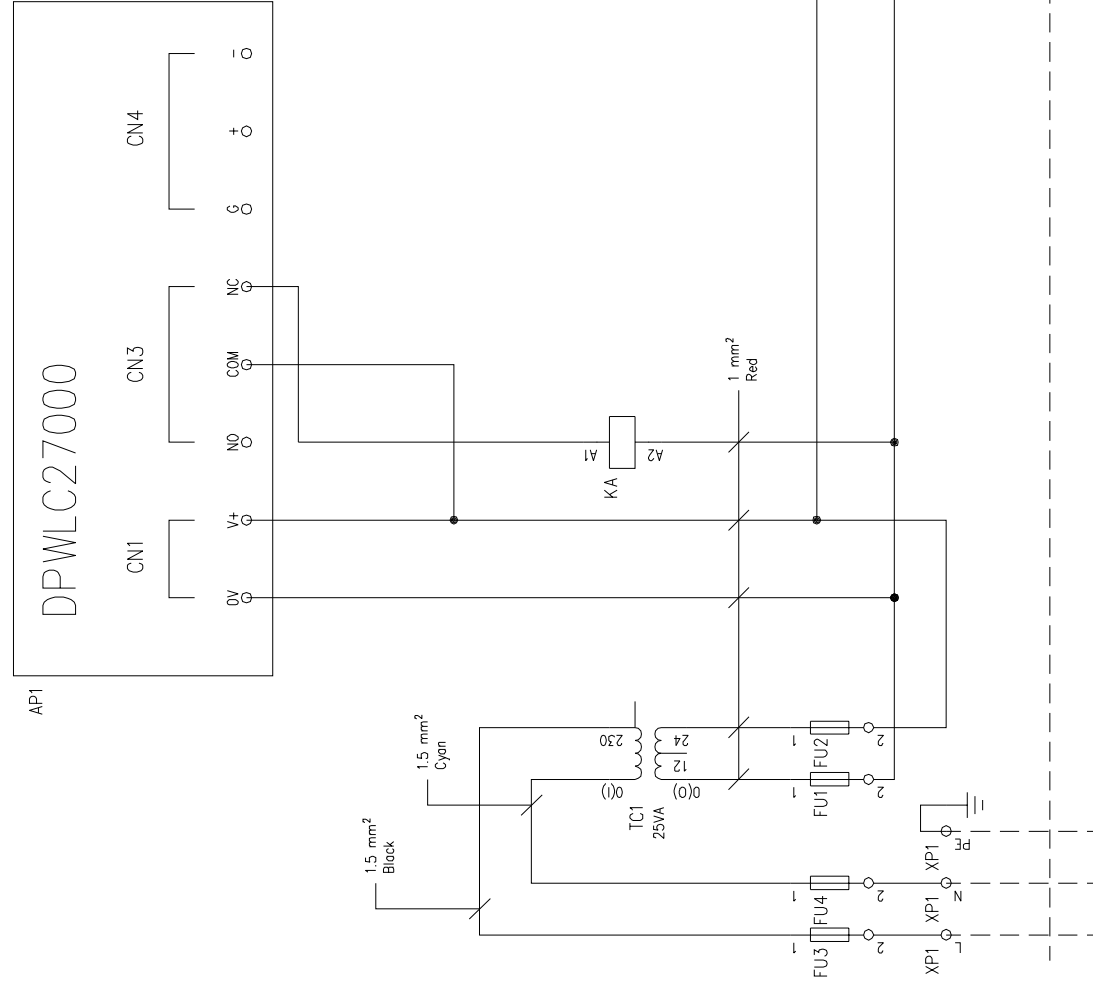
PROJECT DPWLC47000R0.DWG		LAYOUT	
CLIENT		DATE 28/01/2016	
DRAFT M.B.	DATE	SHEET 3 OF 6	FOLLOWS 4
REV.	MODIFY	DATE	NAME

DEFAULT JUMPERS POSITION

- J1: ON
- J2: OFF
- J3: OFF
- J4: OFF
- J5: OFF
- J6: OFF
- J7: OFF
- J8: ON
- J9: OFF
- J10: OFF

DEFAULT POTENTIOMETERS POSITION

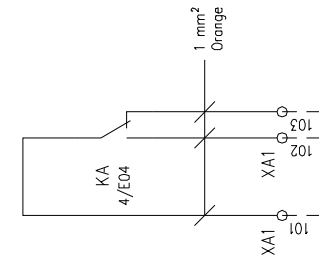
- SW1: 1
- SW2: 0



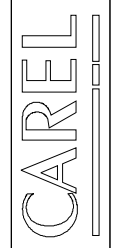
POWER SUPPLY
230V-1PH+N+T-50/60HZ

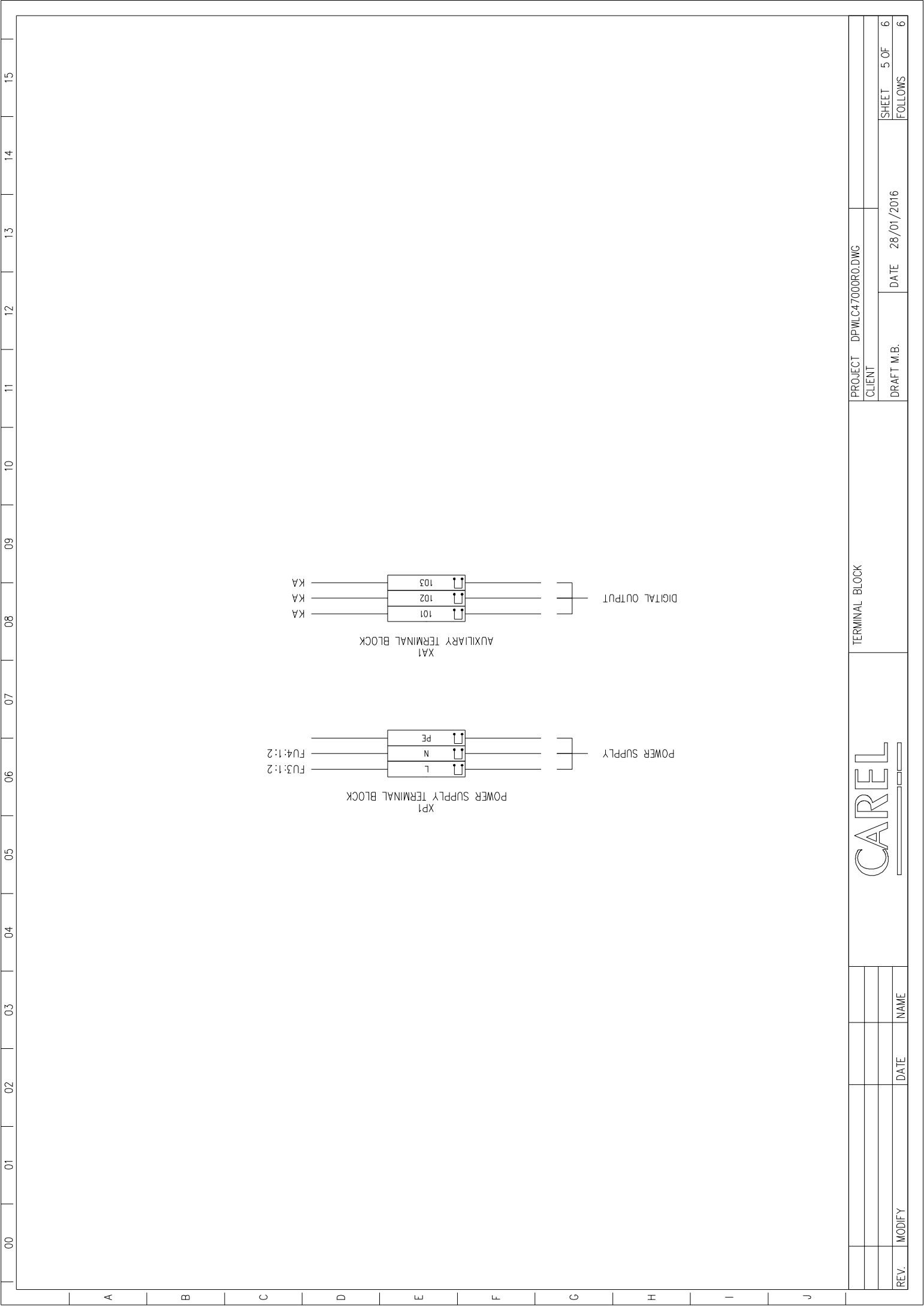
DIGITAL OUTPUT
(VOLTAGE-FREE RELAY)

MACHINE LIMIT



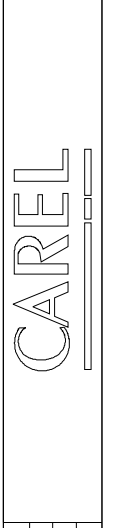
REV.		MODIFY	DATE	NAME	ELECTRIC CIRCUIT		PROJECT	DPWLC47000R0.DWG
							CLIENT	
							DRAFT M.B.	DATE 28/01/2016
							SHEET	4 OF 6
							FOLLOWS	5





PROJECT	DPWLC47000R0.DWG
CLIENT	
DRAFT M.B.	DATE 28/01/2016
SHEET	5 OF 6
FOLLOWS	6

TERMINAL BLOCK



REV.	MODIFY	DATE	NAME

