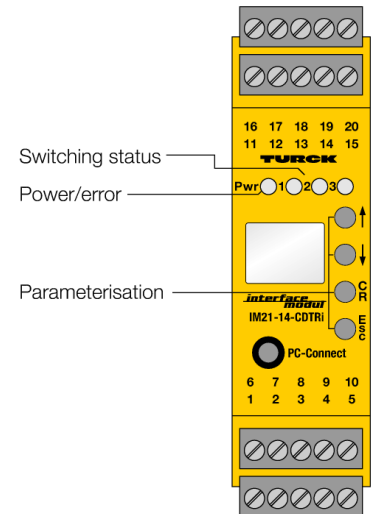
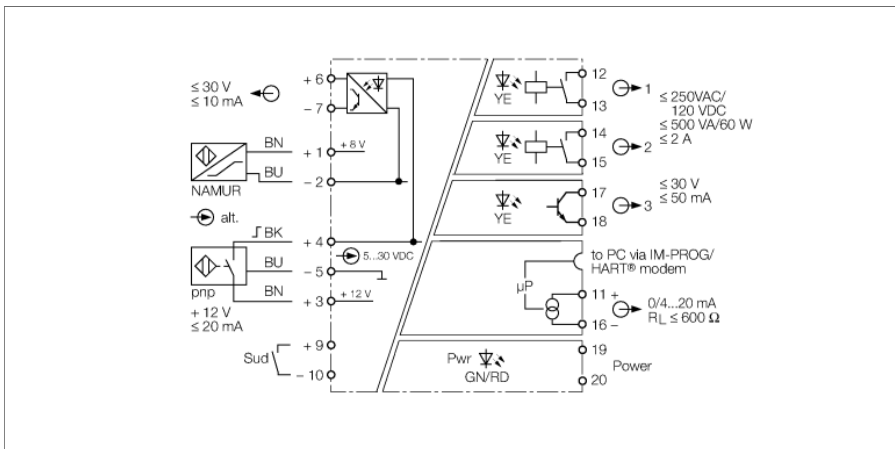


**Rotation speed monitor
1-channel
IM21-14-CDTRI**



The rotation speed monitor IM21-14-CDTRI analyses frequencies, rotation speeds and pulse trains of rotating motor, gear or turbine parts according to over or undershoot of adjusted limit values. A display at the front indicates the current value.

If NAMUR sensors are connected, the line is monitored according to wire-break and/or short-circuit. In the event of an input circuit error the relays drop out, the transistor is blocked and the Pwr LED Pwr changes to red.

The device can be parametrized and configured via PC (FDT / DTM). For this, connect the device to the PC via the 3.5 mm jack plug at the front (the matching transmission cable IM-PROG III can be ordered separately from TURCK). In addition, a basic scope of parameters can be set via buttons and display at the front as well as via the HART® capable power interface

At each of the two relay outputs a predefined limit value can be monitored. The two relays also monitor overshoot/undershoot of window limits. The transistor output can also be used as a pulse divider. The measured value is permanently written to a ring memory with space for 8000 values. The writing process is stopped with a predefined trigger event, like for example "excess of limit value". After that, the stored signal sequence can be read out.

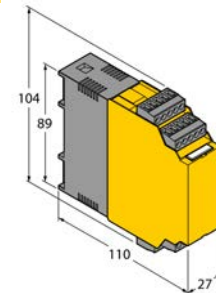
A switching hysteresis is defined by setting a switch-on and off point. A switch-off delay can also be set to avoid shut down due to sudden frequency hops.

- **Monitors over and underrange of limit values and window limits**
- **Operating range 0.06 ... 600000 min⁻¹**
- **Connection of sensors acc. to EN 60947-5-6 (NAMUR), 3-wire sensors and external power supplies**
- **Pulse output**
- **Parametrized via PC (FDT / DTM), front-panel switch and HART®**
- **Ring memory for up to 8000 measured values**
- **Display**
- **Complete galvanic isolation**

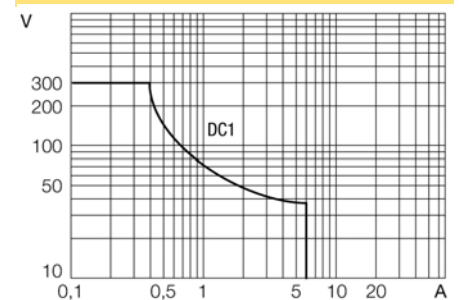
**Rotation speed monitor
1-channel
IM21-14-CDTRI**

Type code	IM21-14-CDTRI
Ident no.	7505650
Flammability class acc. to UL 94	V-0
Nominal voltage	Universal voltage supply unit
Operating voltage	20...250 VAC
Frequency	40...70 Hz
Operating voltage range	20...250 VDC
Power consumption	≤ 3 W
Monitoring range / setting range:	≤ 0.06...600000 min ⁻¹
max. input frequency	600000 min ⁻¹
Pulse time	≥ 0.02 ms
Pulse stop	≥ 0.02 ms
NAMUR	EN 60947-5-6
No-load voltage	8.2 VDC
Short-circuit current	8.2 mA
Input resistance	1 kΩ
Cable resistance	≤ 50 Ω
Switch-on threshold:	1.55 mA
Switch-off threshold:	1.75 mA
Wire breakage threshold	≤ 0.1 mA
Short-circuit threshold	≥ 6 mA
3-wire input	
No-load voltage	12 VDC
Current	≤ 20 mA
Input resistance	600 Ω
0-signal	0...3VDC
1-signal	5...30 VDC
External signal source	
0-signal	0...3 VDC
1-signal	5...30 VDC
Input resistance	26000 Ω
Output current	0/4...20 mA
Load resistance current output	≤ 0.6 kΩ
Fault current	0 / 22 mA adjustable
Output circuits (digital)	2 x relays (NO)
Relay switching voltage	≤ 250 VAC/120 VDC
Switching current per output	≤ 2 A
Switching capacity per output	≤ 500 VA/60 W
Switching frequency	≤ 10 Hz
Contact quality	AgNi, 3μ Au
Semiconductor output circuit(s)	
Output circuits (digital)	1 x transistor (potential-free, short-circuit protected)
Switching voltage	≤ 30 VDC
Switching current per output	≤ 50 mA
Switching frequency	≤ 10000 Hz
Voltage drop	≤ 2.5 V
Pulse output	
Voltage	≤ 30 V
Current	≤ 10 mA
Measuring accuracy	≤ 0.05 % of full scale
Reference temperature	23 °C
Temperature drift analogue output	0.0025 %/K
Galvanic isolation	
Test voltage	2.5 kV
Rated voltage	250 V
MTTF	100 years acc. to SN 29500 (Ed. 99) 40 °C

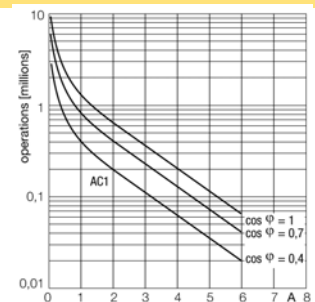
Dimensions



Output relay – Load curve



Output relay – Electrical lifetime



**Rotation speed monitor
1-channel
IM21-14-CDTRI**

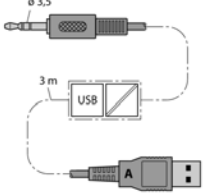
Indication

Operational readiness	green
Pulse input	yellow
Error indication	red

Protection class

Ambient temperature	-25...+70 °C
Storage temperature	-40...+80°C
Relative humidity	≤ 95 %
Dimensions	104 x 27 x 110 mm
Weight	244 g
Mounting instruction	For mounting on DIN rail or mounting panel
Housing material	polycarbonate/ABS
Electrical connection	4 x 5-pole removable terminal blocks, reverse polarity protected, screw connection
Terminal cross-section	1 x 2.5 mm ² / 2 x 1.5 mm ²
Tightening torque	0.5 Nm

Accessories

Type code	Ident no.	Description	Dimension drawing
IM-PROG III	7525111	The programming adapter IM-PROG III is used for parametrization of TURCK IM devices via FDT/DTM. In addition, the in-PROG III provides galvanic isolation.	
IM-CC-5X2BK/2BK	7541219	Cage clamp terminals for IM modules (Ex-devices with 27 mm overall width); includes: 4 pcs. of 5-pin black terminals	