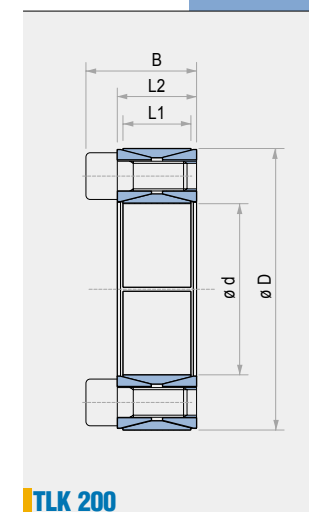
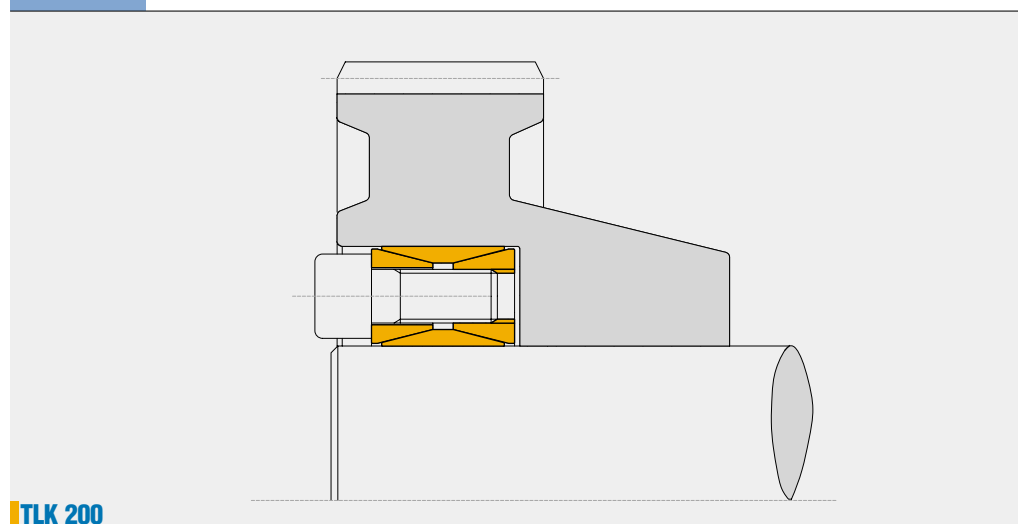


## Locking assembly not self-centering TLK 200

## Locking assembly not self-centering TLK 200



TLK 200

TLK 200

### Charateristics

- Medium-high torque
- Wide tolerances
- Easy availability
- Easy dismantling

### Installation

Carefully clean the hub and shaft contact surfaces and apply a light oil film. Slide the locking assembly into the hub bore and insert the shaft. Tighten cadmium plated clamping screws until inner ring grips the shaft and the outer ring grips the hub bore then tighten gradually and regularly in crossed sequence all screws to reach the tightening torque **Ms** indicated in the table. The values **Mt** and **F ass** indicated in the table are valid only in case of oil installation. Do not use any oil with **molibdenum bisulphide** or high pressure additives and not grease.

### Dismantling

By loosening all tightening screws the clamping unit is normally released. In case of difficulties slightly hammer the released screws to push back the rear pressure cone.

### Tolerances, surface finish

A good surface finish by machine tool is sufficient. Maximum allowable surface finish:

**Rt max 16 µm (Ra 3 µm - Rz 13 µm)**

Maximum permissible tolerances:  
**h11 for shaft**  
**H11 for hub**

### Centering

Mod. TLK 200 is not self-centering. The hub concentricity with respect to the shaft depends on the guide surface tolerance and its length.

### Axial movement

**TLK 200: during screws tightening the hub has no axial movement with respect to the shaft.**

### DM hub calculation

The pressure **Pn** on the hub can be compared to the inside pressure on a thick hollow cylinder.

For DM calculation see page 38.

### Mt transmissible

If two or more clamping unit are installed together, as a result of carried tests, the **Mt** transmissible shall be calculated as follow:

- Nr. 1 TLK 200 **Mt = Mt cat.**
- Nr. 2 TLK 200 **Mt = Mt cat. • 1,9**
- Nr. 3 TLK 200 **Mt = Mt cat. • 2,7**

dxD mm	L1 mm	L2 mm	B mm	Mt Nm	F ass KN	Surface pressures on		Tightening screws		Weight Kg
						Shaft pw N/mm <sup>2</sup>	Hub pn N/mm <sup>2</sup>	DIN 912 N° x type	Tightening torque Ms Nm	
20 x 47	17	20	27,5	280	29	225	95	8 x M6	15	0,2
22 x 47	17	20	27,5	310	29	210	95	8 x M6	15	0,2
24 x 50	17	20	27,5	370	32	210	100	8 x M6	15	0,3
25 x 50	17	20	27,5	400	32	200	100	8 x M6	15	0,3
28 x 55	17	20	27,5	500	36	200	100	10 x M6	15	0,3
30 x 55	17	20	27,5	530	36	185	100	10 x M6	15	0,3
32 x 60	17	20	27,5	680	42	205	110	12 x M6	15	0,3
35 x 60	17	20	27,5	750	43	190	110	12 x M6	15	0,3
38 x 65	17	20	27,5	930	49	200	115	14 x M6	15	0,4
40 x 65	17	20	27,5	980	49	190	115	14 x M6	15	0,3
42 x 75	20	24	33,5	1580	75	235	130	12 x M8	37	0,6
45 x 75	20	24	33,5	1700	76	220	130	12 x M8	37	0,6
48 x 80	20	24	33,5	1790	74	210	120	12 x M8	37	0,6
50 x 80	20	24	33,5	1870	75	200	120	12 x M8	37	0,6
55 x 85	20	24	33,5	2390	88	210	135	14 x M8	37	0,6
60 x 90	20	24	33,5	2610	88	190	125	14 x M8	37	0,7
65 x 95	20	24	33,5	3210	98	200	135	16 x M8	37	0,7
70 x 110	24	28	39,5	4600	132	210	130	14 x M10	70	1,3
75 x 115	24	28	39,5	4900	131	195	125	14 x M10	70	1,3
80 x 120	24	28	39,5	5200	131	180	120	14 x M10	70	1,4
85 x 125	24	28	39,5	6300	148	195	130	16 x M10	70	1,4
90 x 130	24	28	39,5	6600	147	180	125	16 x M10	70	1,5
95 x 135	24	28	39,5	7900	167	195	135	18 x M10	70	1,6
100 x 145	26	33	47	9750	195	195	135	14 x M12	127	2,2
110 x 155	26	33	47	10650	194	180	125	14 x M12	127	2,5
120 x 165	26	33	47	13300	221	185	135	16 x M12	127	2,6
130 x 180	34	38	52	17850	276	165	115	20 x M12	127	3,8
140 x 190	34	38	52	21200	302	165	125	22 x M12	127	3,9
150 x 200	34	38	52	24500	329	170	125	24 x M12	127	4
160 x 210	34	38	52	28400	355	170	130	26 x M12	127	4,3
170 x 225	38	44	60	33600	396	165	120	22 x M14	195	5,8
180 x 235	38	44	60	38700	431	170	130	24 x M14	195	6
190 x 250	46	52	68	44700	502	155	120	28 x M14	195	8,5
200 x 260	46	52	68	53500	538	155	120	30 x M14	195	8,6
220 x 285	50	56	74	68500	630	155	120	26 x M16	300	11
240 x 305	50	56	74	86000	717	165	130	30 x M16	300	12
260 x 325	50	56	74	105000	810	165	135	34 x M16	300	13
280 x 355	60	66	86,5	128500	920	150	120	32 x M18	410	19
300 x 375	60	66	86,5	153600	1025	155	125	36 x M18	410	20
320 x 405	72	78	100,5	210500	1325	155	125	36 x M20	590	30
340 x 425	72	78	100,5	225000	1325	150	120	36 x M20	590	30
360 x 455	84	90	116	294700	1635	150	120	36 x M22	790	42
380 x 475	84	90	116	309100	1625	140	120	36 x M22	790	44
400 x 495	84	90	116	321900	1617	135	110	36 x M22	790	46
420 x 515	84	90	116	374000	1780	135	110	40 x M22	790	50
440 x 545	96	102	130	455000	2060	130	105	40 x M24	1000	65
460 x 565	96	102	130	470000	2040	125	100	40 x M24	1000	67
480 x 585	96	102	130	515000	2160	125	100	42 x M24	1000	71
500 x 605	96	102	130	560000	2240	125	100	44 x M24	1000	73
520 x 630	96	102	130	600000	2320	125	100	45 x M24	1000	80
540 x 650	96	102	130	630000	2340	120	100	45 x M24	1000	82
560 x 670	96	102	130	680000	2440	120	100	48 x M24	1000	85
580 x 690	96	102	130	735000	2540	120	100	50 x M24	1000	88
600 x 710	96	102	130	775000	2580	120	100	50 x M24	1000	91
620 x 730	96	102	130	825000	2660	120	100	52 x M24	1000	93
640 x 750	96	102	130	865000	2700	115	100	54 x M24	1000	96
660 x 770	96	102	130	925000	2800	120	100	56 x M24	1000	99
680 x 790	96	102	130	965000	2840	115	100	56 x M24	1000	102
700 x 810	96	102	130	1030000	2960	115	100	60 x M24	1000	104
720 x 830	96	102	130	1070000	2980	115	100	60 x M24	1000	107
740 x 850	96	102	130	1140000	3080	115	100	62 x M24	1000	110
760 x 870	96	102	130	1210000	3180	115	100	64 x M24	1000	113
780 x 890	96	102	130	1250000	3220	115	100	65 x M24	1000	116
800 x 910	96	102	130	1300000	3260	115	100	66 x M24	1000	118
820 x 930	96	102	130	1370000	3340	115	100	68 x M24	1000	121
840 x 950	96	102	130	1450000	3460	115	100	70 x M24	1000	124
860 x 970	96	102	130	1520000	3540	115	100	72 x M24	1000	127
880 x 990	96	102	130	1590000	3620	115	100	74 x M24	1000	129
900 x 1010	96	102	130	1650000	3680	115	100	75 x M24	1000	132

For larger diameter or inch series please contact us.