

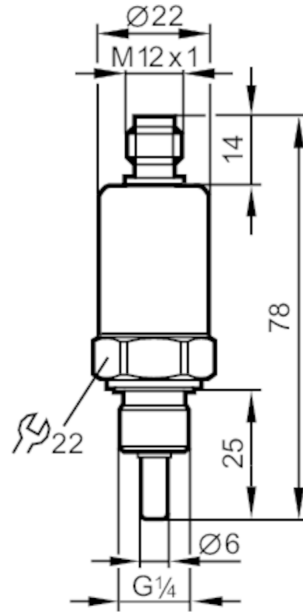
TY9307



Temperature transmitter

TY-025CFKR14-B-DKG

Article no longer available - archive entry



Product characteristics

Number of inputs and outputs	Number of analog outputs: 1	
Measuring range	0...80 °C	32...176 °F
Process connection	threaded connection G 1/4 external thread	

Application

System	gold-plated contacts	
Measuring element	1 x Pt 1000; (to DIN EN 60751, class A)	
Media	liquids and gases	
Medium temperature [°C]	-20...125	
Pressure rating [bar]	400	
Minimum installation depth [mm]	15	

Electrical data

Operating voltage [V]	14...32 DC; (to DIN EN 50178 SELV/PELV)	
Protection class	III	
Reverse polarity protection	yes	
Power-on delay time [s]	0.5	

Inputs / outputs

Number of inputs and outputs	Number of analog outputs: 1	
------------------------------	-----------------------------	--

TY9307



Temperature transmitter

TY-025CFKR14-B-DKG

Outputs		
Total number of outputs		1
Output signal		analog signal
Number of analog outputs		1
Analog voltage output [V]		0...10
Min. load resistance [Ω]		2000
Short-circuit proof		yes
Overload protection		yes
Measuring/setting range		
Probe length L [mm]		25
Measuring range	0...80 °C	32...176 °F
Resolution		
Resolution of analog output [K]		0.1
Accuracy / deviations		
Precision analog output [K]		$\pm 0,5$
Temperature coefficient [% of the span / 10 K]		$< \pm 0,15$
Reaction times		
Dynamic response T05 / T09 [s]		1,5 / 5; (according to DIN EN 60751)
Operating conditions		
Ambient temperature [°C]		-25...70
Storage temperature [°C]		-40...100
Protection		IP 68; IP 69K
Tests / approvals		
EMC	DIN EN 61000-4-2 ESD	4 kV CD / 8 kV AD
	DIN EN 61000-4-3 HF radiated	10 V/m
	DIN EN 61000-4-4 Burst	2 kV
	DIN EN 61000-4-5 Surge	1 kV
	DIN EN 61000-4-6 HF conducted	10 V
Shock resistance	DIN EN 60068-2-27	50 g (11 ms)
Vibration resistance	DIN EN 60068-2-6	20 g (10...2000 Hz)
Mechanical data		
Weight [g]		97.8
Material		stainless steel (1.4404 / 316L); PA
Materials (wetted parts)		stainless steel (1.4404 / 316L); sealing: FKM
Tightening torque [Nm]		< 25
Process connection		threaded connection G 1/4 external thread
Remarks		
Remarks		The values for accuracy apply to flowing water.
Pack quantity		1 pcs.
Electrical connection		
Connector: 1 x M12; Contacts: gold-plated		

TY9307

Temperature transmitter

TY-025CFKR14-B-DKG



Connection

