



Angle Sensor WGC 090/1401 SA

Electronic Control Systems:Sensors:Angle sensor

Product description

Type	WGC 090/1401 SA
Description	Capacitive Angle Sensor
Product description	<p>The speed of further technological development of the systems has resulted in a situation where the sensor engineering also needs to be improved while at the same time maintaining a good price-performance ratio. HIRSCHMANN has responded to this challenge with its new angle sensor, which can be described with the words SIMPLE, COMPACT and PRECISE:</p> <p>- Absolute value sensor- new mode of action- wide temperature range- high degree of operational safety, even under extreme conditions- improved rotative effect- simple zero point calibration- excellent cost/performance ratio</p>
Construction type	Sensor with mounting plate
Order No.	606656 - 64 090 06 1401

Technical data

Standards	EN61000-6-1, EN61000-6-2, EN61000-6-3, EN61000-6-4
Operating voltage	9 ... 36 V DC
Current consumption	approx. 80 mA
Measuring range	0° ... +90°
Overrange limit	no
Signal output	4 ... 20 mA (0° = 20 mA / +90° = 4 mA)
Accuracy	< ± 0,2° typ.
Temperature comp. zero point	± 0,002° /K
Temperature comp. over range	± 0,002° /K
Linearity	< ± 0,2°
Hysteresis	< ± 0,1°
Electrical connection	Plug M12 x 1 (male)
Material	aluminium alloy, surface protected
Mounting position	vertical
Weight approx.	0,67 kg (without mounting plate)

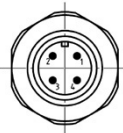
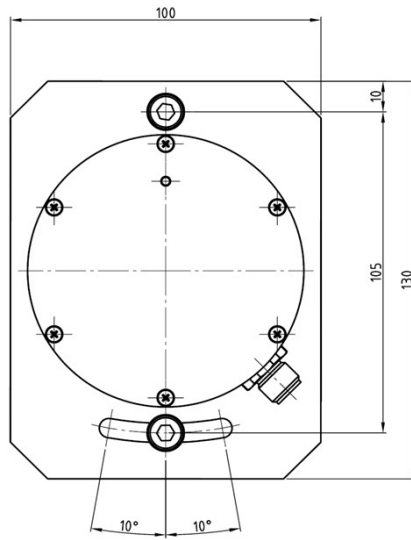
Environmental conditions

Operating temperature	-40 ... +85° C
Storage temperature	-40 ... +85° C
Degree of protection (IP)	IP 67
Saltwater-proof	no, saltwater-proof version on request

Accessories

Options	Connecting cable, shielded, one-side plug female, for WGC with current interface: 324 774 (1,5 m) / 324 966 (5 m) / 324 971 (10 m) / 324 972 (15 m) / 324 973 (20 m) / 324 974 (25 m) / 324 975 (30 m)
---------	---

Drawing



1	+UB=9...36VDC
2	NC
3	GND
4	Signal 4-20mA