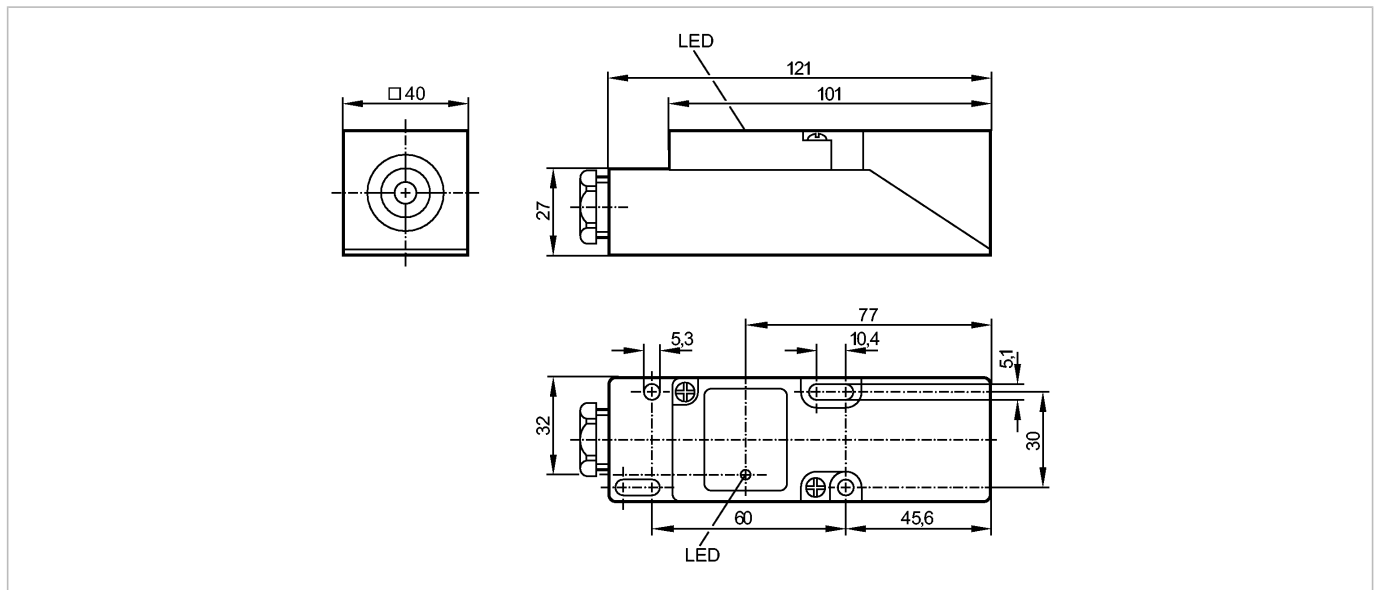


IM5037

IME2015BFRKG

Inductive sensors



Product characteristics	
Inductive sensor	
Rectangular, plastics	
Terminals	
Sensing range 15 mm; [f] flush mountable	
Electrical data	
Electrical design	DC PNP/NPN
Operating voltage [V]	10...55 DC
Protection class	II
Reverse polarity protection	yes
Outputs	
Output function	normally open / closed programmable
Voltage drop [V]	< 4.6
Minimum load current [mA]	4
Leakage current [mA]	< 1
Current rating [mA]	400
Short-circuit protection	pulsed
Overload protection	yes
Switching frequency [Hz]	350
Range	
Sensing range [mm]	15
Real sensing range (Sr) [mm]	15 ± 10 %
Operating distance [mm]	0...12.1
Accuracy / deviations	
Correction factors	mild steel = 1 / stainless steel approx. 0.7 / brass approx. 0.4 / Al approx. 0.3 / Cu approx. 0.2
Hysteresis [% of Sr]	1...15
Switch-point drift [% of Sr]	-10...10
Environment	
Ambient temperature [°C]	-25...80

IM5037

IME2015BFRKG

Inductive sensors

Protection	IP 65
------------	-------

Tests / approvals

EMC	EN 60947-5-2
MTTF [Years]	1635

Mechanical data

Mounting	flush mountable
Housing materials	PPE
Weight [kg]	0.186

Displays / operating elements

Output status indication	LED	yellow
--------------------------	-----	--------

Electrical connection

Connection	terminals up to 2.5 mm ² ; cable diameter 7...13 mm, cable gland M20 x 1.5
------------	---

Wiring



Remarks

Remarks	5 positions of the active zone possible
Pack quantity [piece]	1