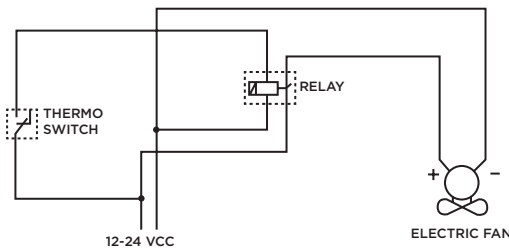
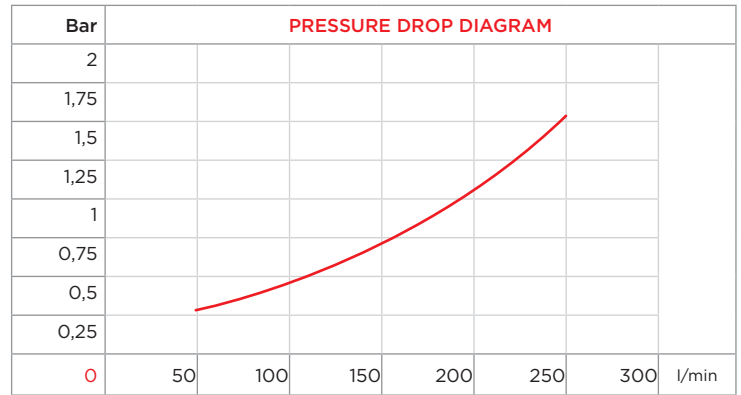
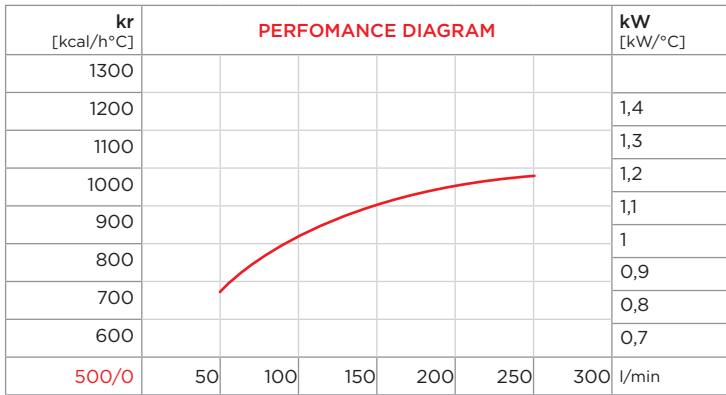


### PURCHASE CODES

APL 580 12/24V without thermo switch	3RL58012 / 3RL58024
APL 580 12/24V with thermo switch	3RL58012T247 / 3RL58024T247 3RL58012T260 / 3RL58024T260

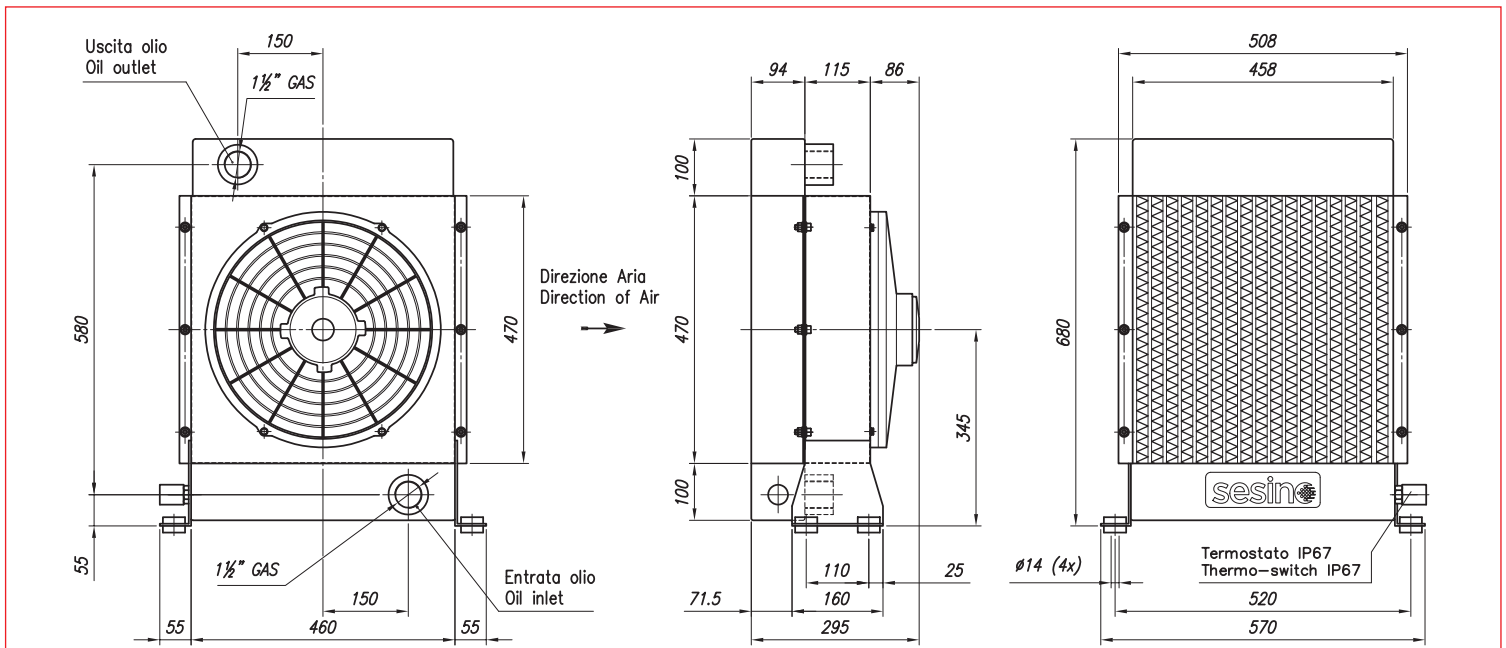
### SPARE PARTS

Thermo-switch 47-36 12V IP 67	1TRM47-36/12V
Thermo-switch 47-36 24V IP 67	1TRM47-36/24V
Thermo-switch 60-49 12V IP 67	1TRM60-49/12V
Thermo-switch 60-49 24V IP 67	1TRM60-49/24V
Cooling element	3RNL580
Frame	3CNL580.1
12VDC Electric fan	1MCVA18AP70AC
24VDC Electric fan	1VNAPL58024C



cSt	22	30	46	68	100	150	220
f	0,6	1	1,5	2,3	3,5	5	7

- Dimensions and technical characteristics are not binding



OIL FLOW	VOLTAGE	POWER	CURRENT	AIR FLOW	ELECTRIC PROTECTION	NOISE LEVEL	WEIGHT	CAPACITY	Ø FAN
l/min	V	W	A	m³/h	IP	dB(A)	kg	lt.	mm
50-250	12	240	20	2.900	68	85	33	11,5	380
50-250	24	240	10	2.900	68	85	33	11,5	380