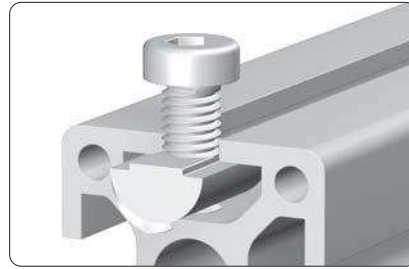


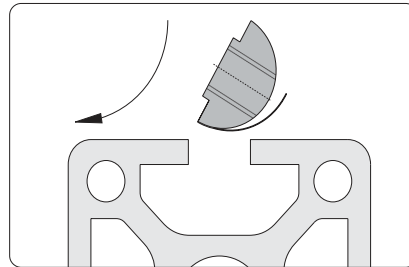
**T-Nuts for subsequent insertion, with spring**



Fixing with leaf spring

**Application**

Fastening element for screw-type connections



Insert front-sided and rotate

**Technical data**

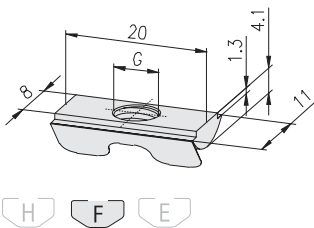
Design steel:

- material: steel
- surface: galvanised

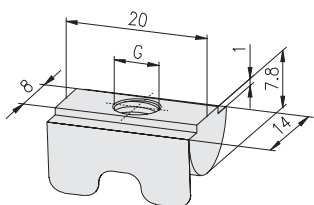
Design stainless:

- material: stainless steel 1.4305
- surface: pickled and passivated

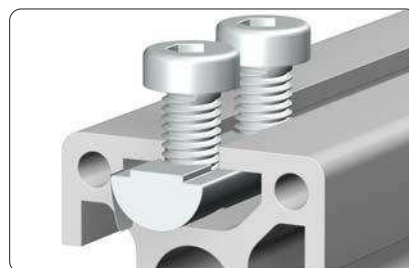
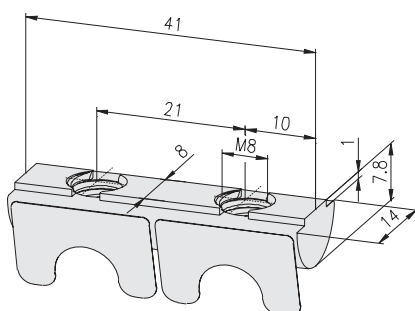
max. moment of torque:  $M_{A, max}$



| Description                       | G  | Design    | $M_{A, max}$ | Weight | Article-No. |
|-----------------------------------|----|-----------|--------------|--------|-------------|
| T-Nut for subs. ins., w. spring F | M3 | steel     | 1.3 Nm       | 5.0 g  | 1.32.4FM3   |
| T-Nut for subs. ins., w. spring F | M4 | steel     | 3.0 Nm       | 4.9 g  | 1.32.4FM4   |
| T-Nut for subs. ins., w. spring F | M5 | steel     | 5.0 Nm       | 4.6 g  | 1.32.4FM5   |
| T-Nut for subs. ins., w. spring F | M6 | steel     | 10.0 Nm      | 4.3 g  | 1.32.4FM6   |
| T-Nut for subs. ins., w. spring F | M8 | steel     | 10.0 Nm      | 3.7 g  | 1.32.4FM8   |
| T-Nut for subs. ins., w. spring F | M6 | stainless | 10.0 Nm      | 4.3 g  | 1.32.4FM6V  |
| T-Nut for subs. ins., w. spring F | M8 | stainless | 10.0 Nm      | 3.7 g  | 1.32.4FM8V  |



| Description                       | G  | Design    | $M_{A, max}$ | Weight | Article-No. |
|-----------------------------------|----|-----------|--------------|--------|-------------|
| T-Nut for subs. ins., w. spring E | M3 | steel     | 1.3 Nm       | 10.0 g | 1.32.4EM3   |
| T-Nut for subs. ins., w. spring E | M4 | steel     | 3.0 Nm       | 10.0 g | 1.32.4EM4   |
| T-Nut for subs. ins., w. spring E | M5 | steel     | 5.0 Nm       | 10.0 g | 1.32.4EM5   |
| T-Nut for subs. ins., w. spring E | M6 | steel     | 10.0 Nm      | 10.0 g | 1.32.4EM6   |
| T-Nut for subs. ins., w. spring E | M8 | steel     | 26.0 Nm      | 9.0 g  | 1.32.4EM8   |
| T-Nut for subs. ins., w. spring E | M4 | stainless | 3.0 Nm       | 10.0 g | 1.32.4EM4V  |
| T-Nut for subs. ins., w. spring E | M5 | stainless | 5.0 Nm       | 10.0 g | 1.32.4EM5V  |
| T-Nut for subs. ins., w. spring E | M6 | stainless | 10.0 Nm      | 10.0 g | 1.32.4EM6V  |
| T-Nut for subs. ins., w. spring E | M8 | stainless | 26.0 Nm      | 9.0 g  | 1.32.4EM8V  |



Fixing with leaf spring

**Application**

- Fastening element for
- screw-type connections
  - hinges, heavy, type 20, 21, 31

**Technical data**

material: steel  
 surface: galvanised  
 max. moment of torque:  $M_{A, max}$

| Description                       | G    | $M_{A, max}$ | Weight | Article-No.   |
|-----------------------------------|------|--------------|--------|---------------|
| T-Nut for subs. ins., w. spring E | 2xM8 | 26.0 Nm      | 20.3 g | 1.32.4E2M8.41 |