

# 600-1/690-1



## Table of Contents

<b>Recording Form for Machine Serial Number</b> .....	1
<b>Safety Symbols</b> .....	2
<b>General Power Tool Safety Warnings</b>	
Work Area Safety .....	2
Electrical Safety .....	2
Personal Safety .....	3
Power Tool Use and Care .....	3
Service .....	3
<b>Specific Safety Information</b>	
Power Drive Safety .....	4
<b>Description, Specifications and Standard Equipment</b>	
Description .....	4
Specifications .....	5
Standard Equipment .....	5
<b>Pre-Operation Inspection</b> .....	6
<b>Set-Up and Operation</b> .....	7
Installing Die Heads .....	7
Resisting Threading Forces .....	8
Threading .....	9
Inspecting Threads .....	10
<b>Maintenance Instructions</b>	
Cleaning .....	11
Changing Dies in 11-R Die Heads .....	11
Replacing Brushes in Motor .....	11
<b>Accessories</b> .....	11-12
<b>Machine Storage</b> .....	12
<b>Service and Repair</b> .....	12
<b>Threading Oil</b> .....	12
<b>Disposal</b> .....	12
<b>Troubleshooting</b> .....	13
<b>EC Declaration of Conformity</b> .....	Inside Back Cover
<b>Lifetime Warranty</b> .....	Back Cover

\*Original Instructions - English

# Power Drives

## 600-I/690-I



### **⚠ WARNING!**

Read this Operator's Manual carefully before using this tool. Failure to understand and follow the contents of this manual may result in electrical shock, fire and/or serious personal injury.

#### **600-I/690-I Power Drives**


Record Serial Number below and retain product serial number which is located on nameplate.


Serial  
No.


--	--


## Safety Symbols

In this operator's manual and on the product, safety symbols and signal words are used to communicate important safety information. This section is provided to improve understanding of these signal words and symbols.


 This is the safety alert symbol. It is used to alert you to potential personal injury hazards. Obey all safety messages that follow this symbol to avoid possible injury or death.


 **DANGER** DANGER indicates a hazardous situation which, if not avoided, will result in death or serious injury.


 **WARNING** WARNING indicates a hazardous situation which, if not avoided, could result in death or serious injury.


 **CAUTION** CAUTION indicates a hazardous situation which, if not avoided, could result in minor or moderate injury.


**NOTICE** NOTICE indicates information that relates to the protection of property.


 This symbol means read the operator's manual carefully before using the equipment. The operator's manual contains important information on the safe and proper operation of the equipment.


 This symbol means always wear safety glasses with side shields or goggles when handling or using this equipment to reduce the risk of eye injury.

 This symbol indicates the risk of fingers, hands, clothes and other objects catching on or between gears or other rotating parts and causing crushing injuries.

 This symbol indicates the risk of electrical shock.

 This symbol indicates the risk of machine tipping, causing striking or crushing injuries.

 This symbol means do not wear gloves while operating this machine to reduce the risk of entanglement.

 This symbol means use support device to resist the threading forces, improve control, and reduce the risk of striking, crushing, and/or other injuries.

## General Power Tool Safety Warnings\*

**WARNING**  
**Read all safety warnings, instructions, illustrations and specifications provided with this power tool. Failure to follow all instructions listed below may result in electric shock, fire and/or serious injury.**

**SAVE ALL WARNINGS AND INSTRUCTIONS FOR FUTURE REFERENCE!**

The term "power tool" in the warnings refers to your mains-operated (corded) power tool or battery-operated (cordless) power tool.

### Work Area Safety

- **Keep your work area clean and well lit.** Cluttered or dark areas invite accidents.
- **Do not operate power tools in explosive atmospheres, such as in the presence of flammable**

**liquids, gases, or dust.** Power tools create sparks which may ignite the dust or fumes.

- **Keep children and bystanders away while operating a power tool.** Distractions can cause you to lose control.

### Electrical Safety

- **Power tool plugs must match the outlet. Never modify the plug in any way. Do not use any adapter plugs with earthed (grounded) power tools.** Unmodified plugs and matching outlets will reduce risk of electric shock.
- **Avoid body contact with earthed or grounded surfaces such as pipes, radiators, ranges and refrigerators.** There is an increased risk of electrical shock if your body is earthed or grounded.
- **Do not expose power tools to rain or wet conditions.** Water entering a power tool will increase the risk of electrical shock.

\* The text used in the General Power Tool Safety Warnings section of this manual is verbatim, as required, from the applicable EN 62841-1 standard. This section contains general safety practices for many different types of power tools. Not every precaution applies to every tool, and some do not apply to this tool.

- **Do not abuse the cord. Never use the cord for carrying, pulling or unplugging the power tool. Keep cord away from heat, oil, sharp edges or moving parts.** Damaged or entangled cords increase the risk of electric shock.
- **When operating a power tool outdoors, use an extension cord suitable for outdoor use.** Use of a cord suitable for outdoor use reduces the risk of electric shock.
- **If operating a power tool in a damp location is unavoidable, use a Ground Fault Circuit Interrupter (GFCI) protected supply.** Use of a GFCI reduces the risk of electric shock.

### Personal Safety

- **Stay alert, watch what you are doing and use common sense when operating a power tool. Do not use a power tool while you are tired or under the influence of drugs, alcohol, or medication.** A moment of inattention while operating power tools may result in serious personal injury.
- **Use personal protective equipment. Always wear eye protection.** Protective equipment such as dust mask, non-skid safety shoes, hard hat, or hearing protection used for appropriate conditions will reduce personal injuries.
- **Prevent unintentional starting. Ensure the switch is in the OFF-position before connecting to power source and/or battery pack, picking up or carrying the tool.** Carrying power tools with your finger on the switch or energizing power tools that have the switch ON invites accidents.
- **Remove any adjusting key or wrench before turning the power tool ON.** A wrench or a key left attached to a rotating part of the power tool may result in personal injury.
- **Do not overreach. Keep proper footing and balance at all times.** This enables better control of the power tool in unexpected situations.
- **Dress properly. Do not wear loose clothing or jewelry. Keep your hair and clothing away from moving parts.** Loose clothes, jewelry, or long hair can be caught in moving parts.
- **If devices are provided for the connection of dust extraction and collection facilities, ensure these are connected and properly used.** Use of dust collection can reduce dust-related hazards.
- **Do not let familiarity gained from frequent use of tools allow you to become complacent and ignore tool safety principles.** A careless action can cause severe injury within a fraction of a second.

### Power Tool Use and Care

- **Do not force the power tool. Use the correct power tool for your application.** The correct power tool will do the job better and safer at the rate for which it is designed.
- **Do not use power tool if the switch does not turn it ON and OFF.** Any power tool that cannot be controlled with the switch is dangerous and must be repaired.
- **Disconnect the plug from the power source and/or remove the battery pack, if detachable, from the power tool before making any adjustments, changing accessories, or storing power tools.** Such preventive safety measures reduce the risk of starting the power tool accidentally.
- **Store idle power tools out of the reach of children and do not allow persons unfamiliar with the power tool or these instructions to operate the power tool.** Power tools are dangerous in the hands of untrained users.
- **Maintain power tools and accessories. Check for misalignment or binding of moving parts, breakage of parts and any other condition that may affect the power tool's operation. If damaged, have the power tool repaired before use.** Many accidents are caused by poorly maintained power tools.
- **Keep cutting tools sharp and clean.** Properly maintained cutting tools with sharp cutting edges are less likely to bind and are easier to control.
- **Use the power tool, accessories and tool bits etc. in accordance with these instructions, taking into account the working conditions and the work to be performed.** Use of the power tool for operations different from those intended could result in a hazardous situation.
- **Keep handles and grasping surfaces dry, clean and free from oil and grease.** Slippery handles and grasping surfaces do not allow for safe handling and control of the tool in unexpected situations.

### Service

- **Have your power tool serviced by a qualified repair person using only identical replacement parts.** This will ensure that the safety of the power tool is maintained.

## Specific Safety Information

### **⚠ WARNING**

**This section contains important safety information that is specific to this tool.**

**Read these precautions carefully before using the power drives to reduce the risk of electrical shock or serious personal injury.**

### **SAVE THESE INSTRUCTIONS!**

Keep this manual with the machine for use by the operator.

### Power Drive Safety

- **Always use the support device provided with the tool.** Loss of control during operation can result in personal injury.
- **Keep sleeves and jackets buttoned while operating the tool. Do not reach across the tool or pipe.** Clothing can be caught by the pipe or the tool resulting in entanglement.
- **Only one person must control the work process and tool operation.** Additional people involved in the process may result in unintended operation and personal injury.
- **Keep floors dry and free of slippery materials such as oil.** Slippery floors invite accidents.
- **Do not wear gloves while operating the tool. Do not reach across the tool or pipe.** Gloves can be caught by the pipe or the tool resulting in entanglement.
- **Always firmly hold the power drive when threading or backing die head off the pipe to resist threading forces, regardless of support device use.** This will reduce the risk of striking, crushing and other injuries.
- **Follow instructions on proper use of this machine. Do not use for other purposes such as drilling holes or turning winches.** Other uses or modifying this machine for other applications may increase the risk of serious injury.
- **Do not use this power drive if ON/OFF switch is broken.** This switch is a safety device that lets you shut off the motor by releasing the switch.
- **Do not use dull or damaged dies.** Sharp cutting tools require less torque and the power drive is easier to control.
- **Keep handles dry and clean; free from oil and grease.** Allows for better control of tool.

- **Only use RIDGID die heads with RIDGID Power Drives** Other die heads may not fit correctly in the power drive increasing the risk of equipment damage and personal injury.

If you have any question concerning this RIDGID® product:

- Contact your local RIDGID distributor.
- Visit RIDGID.com to find your local RIDGID contact point.
- Contact Ridge Tool Technical Service Department at [rtctechservices@emerson.com](mailto:rtctechservices@emerson.com), or in the U.S. and Canada call (800) 519-3456.

## Description, Specifications and Standard Equipment

### Description

The RIDGID® Model 600-I and 690-I Power Drives are double insulated drives that provide power for threading pipe and conduit. Forward and Reverse rotation can be selected with a slide switch while ON/OFF is controlled by a two-step momentary contact switch.

The 600-I Power Drive is designed to use RIDGID 11-R Drop Head Die Heads ( $\frac{1}{8}$ " –  $1\frac{1}{4}$ " pipe). The 690-I Power Drive is designed to use RIDGID 11-R Drop Head Die Heads ( $\frac{1}{8}$ " – 2" pipe). An adapter is required for use of the 690-I Power Drive with the  $\frac{1}{8}$ " –  $1\frac{1}{4}$ " sizes. The adapter and the  $1\frac{1}{2}$ " – 2" sizes are held in the 690-I Power Drive using a Retaining Mechanism.



Figure 1 – Model 600-I Power Drive



Figure 2 – Model 690-I Power Drive



Figure 3 – 602/692 Support Arms

**Specifications**

Parameter	600-I Power Drive	690-I Power Drive
Pipe Threading Capacity	1/8 to 1 1/4 inch (3 to 32 mm)	1/8 to 2 inch (3 to 50 mm)
Die Head Holding	Ring Spring	Retaining Mechanism (1 1/2 – 2 inch) Ring Spring (1/8 – 1 1/4 inch)
LH Threads	Yes	Yes
Support Arm	No. 602, No. 601	No. 692, No. 691
Adapter	Not Required.	Used with 1/8" through 1 1/4" Die Heads.
Motor Type	Universal Motor, Single Phase	Universal Motor, Single Phase
Watts	1270 (120V), 1020 (220-240V)	1270 (120V), 1020 (220-240V)
Voltage/Phase Available	120V/1PH, 220-240V/1PH	120V/1PH, 220-240V/1PH
Amps	12A (120V), 5A (220-240V)	12A (120V), 5A (220-240V)
Operating Speed (RPM)	36 (120V), 32 (220-240V)	36 (120V), 32 (220-240V)
Controls	Forward/Reverse Slide Switch ON/OFF two-step momentary contact switch	Forward/Reverse Slide Switch ON/OFF two-step momentary contact switch
Gear Head	Die Cast Aluminum Permanently Greased	Die Cast Aluminum Permanently Greased
Length	20 inch (508 mm)	24.13 inch (613 mm)
Width	3.75 inch (95 mm)	4.75 inch (121 mm)
Height	7.5 inch (191 mm)	8 inch (203 mm)
Weight	12.65 lbs (5.7 kg)	21.15 lbs (9.6 kg)
Sound Pressure (L <sub>PA</sub> )*	83 dB(A), K=3	83 dB(A), K=3
Sound Power (L <sub>WA</sub> )*	94 dB(A), K=3	94 dB(A), K=3
Vibration*	< 2.5 m/s <sup>2</sup> , K=1.5	< 2.5 m/s <sup>2</sup> , K=1.5

\* Sound and Vibration measurements are measured in accordance with a standardized test per Standard EN 62481-1.

- Vibration levels may be used for comparison with other tools and for preliminary assessment of exposure.

- Sound and vibration emissions may vary due to your location and specific use of these tools.

- Daily exposure levels for sound and vibration need to be evaluated for each application and appropriate safety measures taken when needed. Evaluation of exposure levels should consider the time a tool is switched off and not in use. This may significantly reduce the exposure level over the total working period.

600-I Power Drive and 690-I Power Drive machine serial number plate is located on the bottom of motor housing. The last 4 digits of the serial number indicate the month and year of the manufacture (MMYY).



Figure 4 – Machine Serial Number

**Standard Equipment**

The Model 600-I/690-I Power Drives come with the following items:

- Power Drive
- 690-I Adapter (690-I only)
- Operator's Manual

**NOTICE** Selection of appropriate materials and installation, joining and forming methods is the responsibility of the system designer and/or installer. Selection of improper materials and methods could cause system failure.

Stainless steel and other corrosion resistant materials can be contaminated during installation, joining and form-

ing. This contamination could cause corrosion and premature failure. Careful evaluation of materials and methods for the specific service conditions, including chemical and temperature, should be completed before any installation is attempted.

## Pre-Operation Inspection

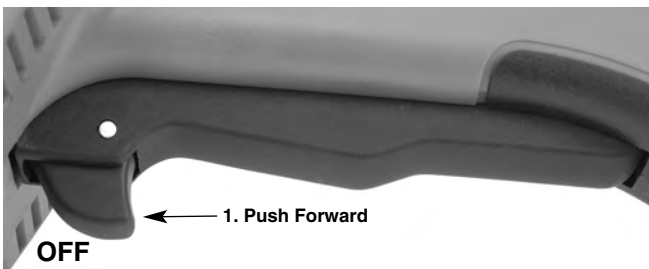
### ⚠ WARNING



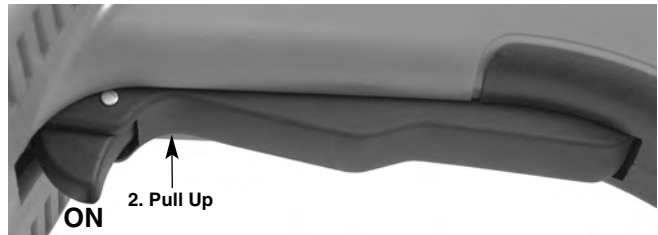
**Before each use, inspect power drive and correct any problems to reduce the risk of serious injury from electric shock, crushing injuries and other causes and prevent power drive damage.**

1. Make sure that the power drive is unplugged.
2. Clean any oil, grease or dirt from the power drive and support device, including the handles and controls. This aids inspection and helps prevent the machine or control from slipping from your grip.
3. Inspect the power drive and support arm for the following:
  - Damage or modification to the cord and plug.
  - Proper assembly, maintenance and completeness.
  - Damaged, misaligned or binding parts.
  - Proper operation of two-step momentary contact ON/OFF switch (*Figure 5*).
  - Support arm gripping teeth are clean and in good condition. Teeth can be cleaned with a wire brush.
  - Presence and readability of the warning label.
  - Any other condition which may prevent safe and normal operation.

If any problems are found, do not use the power drive or support device until the problems have been repaired.



**Figure 5A – Two Step Momentary Contact ON/OFF Switch**



**Figure 5B – Two Step Momentary Contact ON/OFF Switch**

4. Inspect the cutting edges of the dies for wear, deformation, chips or other issues. Dull or damaged cutting tools increase the amount of force required, produce poor quality threads and increase the risk of injury.
5. Inspect and maintain any other equipment being used per its instructions to make sure it is functioning properly.
6. Following the Set Up and Operation instructions, check the power drive for proper operation.
  - Move the F/R (Forward/Reverse) switch to the F position. Depress and release the ON/OFF switch (*Figure 5*). Confirm that the power drive rotates in the clockwise direction (*see Figure 6*) and stops when releasing the switch.
  - Repeat the process for the REVERSE (counterclockwise) operation. If the power drive does not rotate in the correct direction, or the ON/OFF switch does not control the machine operation, do not use the machine until it has been repaired.

**NOTICE** Change position of the F/R slide switch only when the ON/OFF trigger switch is released. Allow the power drive to come to a complete stop before reversing the direction with the F/R slide switch. This will reduce the risk of power drive damage.

- Depress and hold the ON/OFF switch. Inspect the moving parts for misalignment, binding, odd noises or any other unusual conditions. Release the ON/OFF switch. If any unusual conditions are found, do not use the machine until it has been repaired.



**Figure 6A – F (FORWARD) (Clockwise) Switch Position**





Figure 6B – R (REVERSE) (Counter-Clockwise) Switch Position

7. Release the ON/OFF switch and with dry hands unplug the machine.

## Set-Up and Operation

### ⚠ WARNING



Set up and operate the power drive according to these procedures to reduce the risk of injury from electric shock, entanglement, striking, crushing and other causes, and to help prevent power drive damage.

Use an appropriate support device per these instructions. Support devices improve control and reduce the risk of striking, crushing, and/or other injuries.

When using a support device other than the supplied support arm, the support device must react against the gear housing or fan housing. Support devices contacting the motor housing or handle may damage these parts or increase the risk of injury.

Always firmly hold the power drive when threading or backing die head off the pipe to resist use forces, regardless of support device use. This will reduce the risk of striking, crushing and other injuries.

Do not wear gloves or loose clothing. Keep sleeves and jackets buttoned. Loose clothing can become entangled in rotating parts and cause crushing and striking injuries.

Properly support pipe. This will reduce the risk of falling pipe, tipping and serious injury.

Do not use a power drive without a properly operating ON/OFF switch and F/R slide switch.

One person must control both the work process and the ON/OFF switch. Do not operate with more than one person. In case of entanglement, the operator must be in control of the ON/OFF switch.

1. Check work area for:
  - Adequate lighting.
  - Flammable liquids, vapors or dust that may ignite. If present, do not work in area until sources have been identified and corrected. The power drives are not explosion proof and can cause sparks.

- Clear, level, stable, dry location for all equipment and operator.
- Good ventilation. Do not use extensively in small, enclosed areas.
- Properly wired electrical outlet of the correct voltage. If in doubt, have outlet inspected by a licensed electrician.
- Clear path to electrical outlet that does not contain any potential sources of damage for the power cord.

2. Inspect the pipe to be threaded and associated fittings and confirm that the selected power drive is a correct tool for the job. See *Specifications*. Do not use to thread anything other than straight stock.

Equipment for other applications can be found in the Ridge Tool catalog, online at [www.RIDGID.com](http://www.RIDGID.com) or by calling Ridge Tool Technical Service in the U.S. and Canada at (800) 519-3456.

3. Make sure equipment to be used has been properly inspected.
4. Properly prepare the pipe as needed. Make sure the pipe is squarely cut and deburred. Pipe cut at an angle can damage the dies while threading or cause difficulty engaging the die head.

## Installing Die Heads

5. Installing 1½" or 2" Die Head or Adapter in 690-I:
  - a. Make sure ON/OFF switch is released and power drive is unplugged.
  - b. Rotate the drive ring counter-clockwise to open the retaining mechanism. Fully insert the die head or adapter (if required) spline end into the power drive (*Figure 7*).
  - c. Release the drive ring and confirm that the die head/adapter is secure.
  - d. Reverse process to remove.

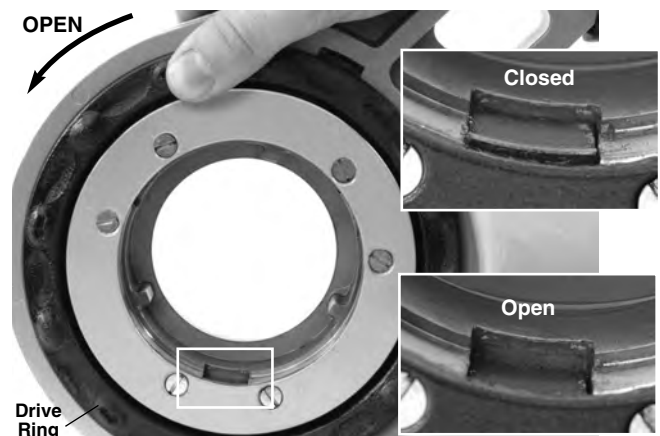


Figure 7 – Retaining Mechanism, Drive Ring in the Open/Closed Position



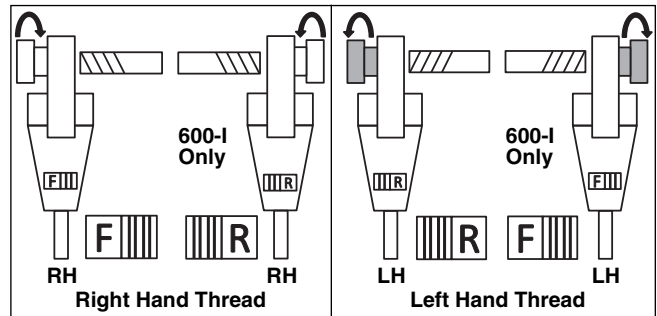
**Figure 8 – Installing Adapter Into 690-I**

6. Installing 1 1/4" and smaller Die Heads:
  - a. Make sure the ON/OFF switch is released and power drive unplugged from the outlet.
  - b. If needed install the adapter in the 690-I (Figure 8).
  - c. Squarely insert the octagonal end of the 11-R Die Head into the power drive until secured by the spring ring. On the 600-I, the die head can be inserted into either side of the power drive. With the 690-I, die heads can only be inserted from the adapter side.
  - d. To remove, pull die head from power drive. If needed, use a soft face hammer or a block of wood to tap the die head out. Do not pound on the die head, this can damage the tool.



**Figure 9 – Installing Die Heads into 600-I Power Drive**

7. Position the power drive F/R Slide Switch for the desired right or left hand thread. See Figure 10.



**Figure 10 – Slide Switch/Die Head Orientation**

8. Make sure that pipe to be threaded is stable and secured to prevent tipping during use. Use appropriate pipe stands to support pipe length.
9. Check the level of RIDGID Thread Cutting Oil in the RIDGID 418 oiler. Remove the chip tray and confirm that the filter screen is clean and fully submerged in oil. Replace or add oil if necessary. Place the 418 Oiler bucket under the pipe end to be threaded.

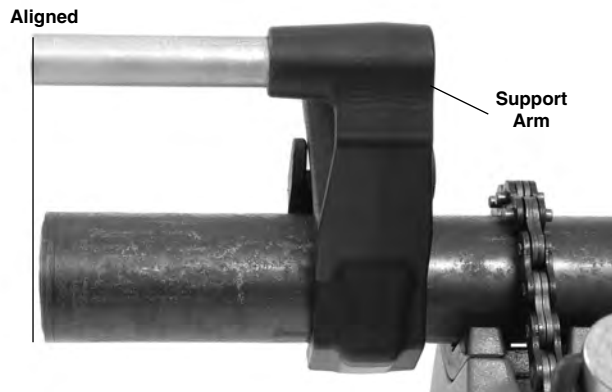
### Resisting Threading Forces

Using the supplied support arm:

- a. Always use the supplied support arm (601 or 602 support arm for 600-I, 691 or 692 support arm for 690-I) unless it can't be used because of space or other constraints. The support arm clamps to the pipe and helps to resist the threading forces.
- b. Position the support arm on pipe, so end of support arm aligns with end of pipe and top of support arm is horizontal (Figure 11). This properly places the support arm for threading and prevents threading oil from entering the motor (Figure 12).
- c. Make sure that the support arm jaws are squarely aligned with the pipe and securely tighten the support arm.



**Figure 11A – Positioning the Support Arm**



**Figure 11B – Positioning the Support Arm**



**Figure 12 – Proper Orientation of the Power Drive**

When support arm can't be used:

When threading pipe in place or similar application, the support arm may not be able to be used because of space constraints.

- a. If possible remove the pipe and thread in a vise. If this cannot be done, other support devices must be used to help resist threading forces, such as placing the power drive gear or fan housing against an adjacent structural member (examples include walls, beams and joists). This requires that the pipe and surroundings be able to withstand the weight of the tool and the threading forces. It may be necessary to add temporary or permanent pipe supports or structural elements.
- b. For right hand threads, die head will rotate clockwise (looking at the face of the Die Head). Forces developed by the threading torque will be in the opposite or counter-clockwise direction. Rotation and force will be reversed for left hand threads. Make sure that the support device is set up to properly absorb the threading force.

- c. Do not place the power drive motor or handle against adjacent structural members to react threading forces, as this may cause power drive damage.
- d. Keep power drive against the structural member and do not place fingers or hands between the power drive and the structural member. When backing die head off thread, always firmly hold the power drive to resist forces from breaking the thread chips. These steps will reduce the risk of striking, crushing and other injuries. The ON/OFF switch can be released at any time to shut OFF the power drive.

Always firmly hold the power drive when threading or backing die head off pipe to resist forces, regardless of support device use. This will reduce the risk of striking, crushing and other injuries. The ON/OFF switch can be released at any time to shut off the power drive.

### Threading

10. With dry hands, plug in the power drive.
11. Position the die head over the pipe end and support the power drive as directed in the *Resisting Threading Forces* Section.



**Figure 13 – Starting the Thread**

12. Simultaneously actuate the ON/OFF switch and push against the Die Head cover plate with the palm of free hand to start the thread. Do not wear gloves, jewelry or use a rag while pushing on the cover plate – this increases the risk of entanglement and injury. Once the dies engage the pipe, threads will be cut as the dies pull themselves onto the end of the pipe.

Always firmly hold the power drive handle to resist the handle forces. Support devices can slip and allow the

power drive to move. The ON/OFF switch can be released at any time to shut off the power drive.

13. Stop pushing on cover plate and use oiler to apply a generous quantity of RIDGID Thread Cutting Oil to the area being threaded. This will lower threading torque, improve thread quality and increase die life.



**Figure 14 – Threading Pipe**

14. Depress ON/OFF switch until end of the pipe is even with edge of the dies and release the switch. Let the power drive come to a complete stop.



**Figure 15 – Pipe Even with Edge of Dies**

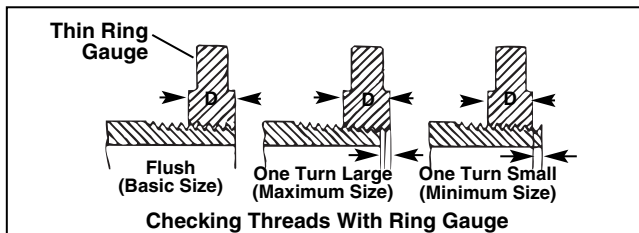
15. Reverse the F/R slide switch and actuate the ON/OFF switch to remove Die Head from the threaded pipe. Hold onto the power drive handle firmly to resist the handle forces developed while backing off the Die Head.

**NOTICE** Change position of the F/R slide switch only when the ON/OFF switch is released. Allow the power drive to come to a complete stop before reversing the direction with the F/R slide switch. This will reduce the risk of power drive damage.

16. Release the switch and remove the power drive and Die Head from the pipe.
17. With dry hands unplug the power drive.
18. Wipe oil and debris off the threads and out of the die head, taking care not to cut yourself on sharp debris or edges. Clean up any oil spills in the work area.

### Inspecting Threads

1. Remove any oil, chips or debris from the thread.
2. Visually inspect thread. Threads should be smooth and complete, with good form. If issues such as thread tearing, thin threads, or pipe out-of-roundness are observed, the thread may not seal when made up. Refer to the “Troubleshooting” chart for help in diagnosing these issues.
3. Inspect the size of the thread. The preferred method of checking thread size is with a ring gauge. There are various styles of ring gauges, and their usage may differ from that shown in *Figure 16*.
  - Screw ring gauge onto the thread hand tight.
  - Look at how far the pipe end extends through the ring gauge. The end of the pipe should be flush with the side of the gauge plus or minus one turn. If thread does not gauge properly, cut off the thread, adjust the die head and cut another thread. Using a thread that does not gauge properly can cause leaks.



**Figure 16 – Checking Thread Size**

- If a ring gauge is not available to inspect thread size, it is possible to use a new clean fitting representative of those used on the job to gauge thread size. For 2" and under NPT threads, the threads should be cut to obtain 4 to 5 turns to hand tight engagement with the fitting and for 2" and under BSPT threads it should be 3 turns.

## Maintenance Instructions

### ⚠ WARNING

Make sure that the ON/OFF switch is released and the machine is unplugged before performing any maintenance or making any adjustments.

Maintain tool according to these procedures to reduce the risk of injury from electrical shock, entanglement and other causes.

### Cleaning

1. After each use, empty the threading chips from the 418 Oiler chip tray and wipe out any oil residue.
2. Wipe off any oil, grease, chips or dirt from the power drive, including the handles and controls. Clean the 690-I retaining mechanism.
3. Wipe off any oil, grease or dirt from the support arm. If required, clean the support arm jaws with a wire brush.
4. Remove chips and dirt from die heads.

### Changing Dies in 11-R Die Heads

A variety of dies are available for installation in RIDGID 11-R Die Heads. See catalog for availability.

1. Remove the four screws ④ from cover ② and remove the cover plate.
2. Remove the old dies ③ from the die head.
3. Insert new dies into slots – numbered edge up. Numbers on the dies must correspond with those on the die head slots. Always replace dies as a set.

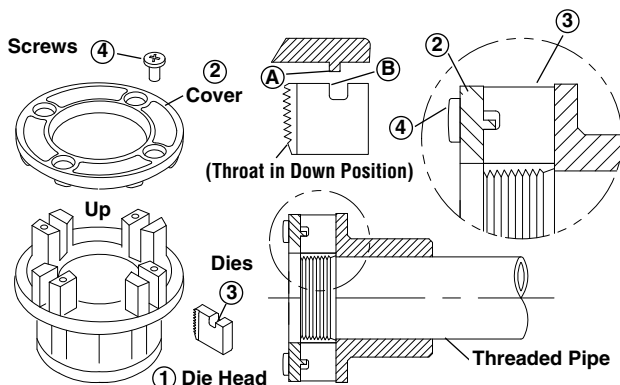


Figure 17 – Installing Dies In Die Head

4. Replace the cover plate and tighten the four screws lightly.
5. Place die head on already threaded pipe until dies begin to thread. This forces stop on dies ⑤ outward

against lugs ⑤ on cover plate and properly sets the size.

6. Tighten the four screws securely. Remove the threaded pipe and make a test cut.

### Replacing Brushes in Motor

Check motor brushes every 6 months. Replace when worn to less than  $\frac{5}{16}$ " (8 mm).



Figure 18 – Brush Installation

1. Unplug the machine from power source.
2. Unscrew brush caps (Figures 1 and 2). Remove and inspect brushes. Replace when worn to less than  $\frac{5}{16}$ " (8 mm). Inspect the commutator for wear. If excessively worn, have tool serviced.
3. Re-install brushes/install new brushes and securely tighten the brush caps.
4. It is best practice to run the unit at idle for 15 minutes in the forward direction followed by 15 minutes in the reverse direction to seat the brushes to the commutator before use.

## Accessories

### ⚠ WARNING

To reduce the risk of serious injury, only use accessories specifically designed and recommended for use with the 600-I and 690-I Power Drives such as those listed below. Other Accessories suitable for use with other tools may be hazardous when used with the 600-I and 690-I Power Drives.

**600-I and 690-I Power Drive Accessories**

Catalog No.	Description
45923	602 Support Arm
45928	692 Support Arm
46668	600-I Carrying Case
46673	690-I Carrying Case
10883	418 Oiler with 1 Gallon Nu-Clear Oil
16703	425 1/8" - 2 1/2" TRISTAND Vise
36273	460-6 1/8" - 6" TRISTAND Vise

Further information on accessories specific to the tool can be found in the RIDGID Catalog and online at RIDGID.com

**Machine Storage**

**⚠ WARNING** Power Drives must be kept indoors or well covered in rainy weather. Store the machine in a locked area that is out of reach of children and people unfamiliar with the machines. These machines can cause serious injury in the hands of untrained users.

**Service and Repair**

**⚠ WARNING**  
**Improper service or repair can make machine unsafe to operate.**

The "Maintenance Instructions" will take care of most of the service needs of this machine. Any problems not addressed by this section should only be handled by an authorized RIDGID service technician.

Tool should be taken to a RIDGID Independent Service Center or returned to the factory.

For information on your nearest RIDGID Independent Service Center or any service or repair questions:

- Contact your local RIDGID® distributor.
- Visit RIDGID.com to find your local RIDGID contact point.
- Contact Ridge Tool Technical Service Department at [rttechservices@emerson.com](mailto:rttechservices@emerson.com) or in the U.S. and Canada call (800) 519-3456.

**Threading Oil**

For information concerning RIDGID® Thread Cutting Oil use and handling, refer to the labels on the container and Material Safety Data Sheet (MSDS). MSDS is available at RIDGID.com or by contacting Ridge Tool Technical Service Department at (800) 519-3456 in U.S. and Canada or [rttechservices@emerson.com](mailto:rttechservices@emerson.com).

**Disposal**

Parts of the Power Drives contain valuable materials and can be recycled. There are companies that specialize in recycling that may be found locally. Dispose of the components in compliance with all applicable regulations. Contact your local waste management authority for more information.



**For EC Countries:** Do not dispose of electrical equipment with household waste!

According to the European Guideline 2012/19/EU for Waste Electrical and Electronic Equipment and its implementation into national legislation, electrical equipment that is no longer usable must be collected separately and disposed of in an environmentally correct manner.

## Troubleshooting

SYMPTOM	POSSIBLE REASONS	SOLUTION
<b>Machine will not run.</b>	Brushes do not touch armature.	Check brushes, replace if worn.
<b>Machine not able to thread.</b>	Dull dies. Overload due to torn or out-of-round threads. Poor quality or insufficient thread cutting oil. Insufficient line voltage.	Replace dies. See possible reasons below. Use RIDGID® Thread Cutting Oil in adequate quantity. Check power supply voltage.
<b>Sparks forming at motor commutator.</b>	Insufficient contact between brushes and commutator. Brushes do not touch commutator properly. Brushes of different manufacture. New brushes.	Tighten the brush caps to make sure brushes are pressed firmly onto commutator. Replace worn brushes and or armature. Only use RIDGID® brushes. Seat the brushes by running the unit at idle for 15 minutes in Forward and Reverse.
<b>Die head does not start threading.</b>	Die head not square with end of pipe. Engagement force not properly applied to the die head. Pipe end not squarely cut. Dull or broken dies. Machine running in wrong direction. Dies set improperly in the die head.	Push against die head cover plate to start thread. Apply engagement force through the center line of the pipe. Cut the pipe end squarely. Replace dies. Check position of the F/R Slide Switch. Ensure chasers are set outward against the cover plate lugs.
<b>Torn threads.</b>	Damaged, chipped or worn out dies. Improper or insufficient thread cutting oil. Incorrect type of die for material. Poor pipe material/quality.	Replace dies. Only use RIDGID® Thread Cutting Oil in adequate quantity. Select high-speed, stainless steel , or alloy dies that are suitable for the application. Use higher quality pipe.
<b>Out-of-round or crushed threads.</b>	Pipe wall thickness too thin.	Use schedule 40 or heavier wall thickness.
<b>Support device turns while threading.</b>	Support arm jaws dirty. Support arm not aligned properly. Support arm not tight.	Clean with wire brush. Align support arm squarely with the pipe. Tighten feedscrew.
<b>Thin Threads.</b>	Dies not placed in proper order.	Place dies in proper die head slot.





## 600-I et 690-I



### **⚠ AVERTISSEMENT !**

Familiarisez-vous avec cette notice avant d'utiliser l'appareil. Tout manque de compréhension ou de respect des consignes ci-présentes augmenterait les risques de choc électrique, d'incendie et/ou de grave blessure corporelle.

#### Systemes d'entraînement 600-I et 690-I

l'appareil.

N° de  
série

--	--

## Table des matières

Fiche d'enregistrement du numéro de série de l'appareil .....	15
Symboles de sécurité .....	17
<b>Consignes générales de sécurité visant les appareils électriques</b>	
Sécurité des lieux.....	17
Sécurité électrique .....	17
Sécurité individuelle .....	18
Utilisation et entretien des appareils électriques .....	18
Service après-vente .....	19
<b>Consignes de sécurité spécifiques</b>	
Sécurité du système d'entraînement .....	19
<b>Description, caractéristiques techniques et équipements de base</b>	
Description .....	19
Caractéristiques techniques.....	20
Équipements de base .....	21
<b>Inspection préalable.....</b>	21
<b>Préparation et utilisation de l'appareil .....</b>	22
Installation des têtes de filière .....	23
Compensation du couple de filetage .....	24
Filetage des pièces .....	25
Contrôle des filets .....	26
<b>Consignes d'entretien</b>	
Nettoyage.....	27
Remplacement des filières sur la tête de filière 11-R .....	27
Remplacement des balais du moteur .....	27
<b>Accessoires .....</b>	28
<b>Stockage de l'appareil .....</b>	28
<b>Révisions et réparations .....</b>	28
<b>Huile de coupe .....</b>	28
<b>Recyclage .....</b>	28
<b>Dépannage .....</b>	29
<b>Déclaration de conformité CE .....</b>	Recto de page de garde
<b>Garantie à vie .....</b>	Page de garde

\*Traduction de la notice originale

## Symboles de sécurité

Les symboles et mots clés utilisés à la fois dans ce mode d'emploi et sur l'appareil lui-même servent à signaler d'importants risques de sécurité. Ce qui suit permettra de mieux comprendre la signification de ces mots clés et symboles.



Ce symbole sert à vous avertir de risques d'accident potentiels. Le respect des consignes qui le suivent vous permettra d'éviter les risques d'accident grave ou potentiellement mortel.



Le terme DANGER signifie une situation dangereuse qui, faute d'être évitée, provoquerait la mort ou de graves blessures corporelles.



Le terme AVERTISSEMENT signifie une situation dangereuse potentielle qui, faute d'être évitée, serait susceptible d'entraîner la mort ou de graves blessures corporelles.



Le terme ATTENTION signifie une situation dangereuse potentielle qui, faute d'être évitée, serait susceptible d'entraîner des blessures corporelles légères ou modérées.



Le terme AVIS IMPORTANT indique des informations concernant la protection des biens.



Ce symbole indique la nécessité de bien se familiariser avec la notice d'emploi avant d'utiliser ce matériel. La notice d'emploi renferme d'importantes consignes de sécurité et d'utilisation du matériel.



Ce symbole indique le port obligatoire de lunettes de sécurité équipées de protections latérales lors de la manipulation ou de l'utilisation de l'appareil afin de réduire les risques de lésions oculaires.



Ce symbole signale un risque d'écrasement en cas d'entraînement des doigts, jambes, vêtements ou autres objets portés dans le mécanisme.



Ce symbole signale un risque de choc électrique.



Ce symbole signale un risque de blessure en cas de renversement de l'appareil.



Ce symbole interdit le port de gants lors de l'utilisation de l'appareil afin de limiter les risques de blessure.



Ce symbole indique la nécessité de prévoir un dispositif permettant de compenser le couple produit par l'appareil, améliorer sa stabilité et limiter les risques de blessure corporelle.

## Consignes générales de sécurité applicables aux appareils électriques\*

### ⚠ AVERTISSEMENT

**Familiarisez-vous avec l'ensemble des consignes de sécurité et d'utilisation, des illustrations et des caractéristiques techniques ci-présentes. Le non-respect de l'ensemble des consignes ci-dessous augmenterait les risques de choc électrique, d'incendie et/ou de graves lésions corporelles.**

### Conservez l'ensemble de ces consignes et instructions pour future référence !

Le terme « appareil électrique » utilisé dans les consignes de sécurité couvre à la fois les appareils branchés sur secteur et ceux fonctionnant sur piles.

### Sécurité du chantier

- Assurez-vous de la propreté et du bon éclairage

**des lieux.** Les chantiers encombrés ou mal éclairés sont une invitation aux accidents.

- **N'utilisez pas d'appareils électriques en présence de substances volatiles telles que liquides, gaz ou poussières combustibles.** Ce type de matériel risque de produire des étincelles susceptibles d'enflammer les poussières et émanations combustibles.
- **Eloignez les enfants et les curieux durant l'utilisation des appareils électriques.** Les distractions risquent de vous faire perdre le contrôle de l'appareil.

### Sécurité électrique

- **La fiche de l'appareil doit correspondre à la prise de courant utilisée. Ne jamais tenter de modifier la fiche d'une manière quelconque. Ne jamais utiliser d'adaptateur de prise sur les appareils équipés d'une fiche avec terre.** Cela limitera les risques de choc électrique.

\*Le texte utilisé dans les consignes de sécurité générales ci-présentes est tiré verbatim de la section de la norme EN 62841-1 applicable, comme l'impose la réglementation. Lesdites consignes de sécurité générales sont sensé couvrir de nombreux types d'appareils électriques. Certaines d'entre-elles ne sont pas applicables à l'ensemble de ces appareils, et certaines ne sont pas applicables à celui-ci.

- **Évitez tout contact physique avec des objets reliés à la terre tels que canalisations, radiateurs, cuisinières et réfrigérateurs.** Tout contact avec la terre augmenterait les risques de choc électrique.
- **N'exposez pas les appareils électriques à la pluie ou aux intempéries.** Toute pénétration d'eau à l'intérieur de l'appareil augmenterait les risques de choc électrique.
- **Ne maltraitez pas le cordon d'alimentation de l'appareil. Ne jamais utiliser le cordon pour porter, tirer ou débrancher l'appareil. Éloignez le cordon de la chaleur, des matières grasses, des objets tranchants et des mécanismes.** Les cordons d'alimentation endommagés ou entortillés augmentent les risques de choc électrique.
- **Lors de l'utilisation de l'appareil à l'extérieur, prévoyez une rallonge électrique homologuée pour ce type d'emploi.** Cela limitera les risques de choc électrique.
- **S'il est inévitable d'utiliser l'appareil dans des endroits humides, prévoyez une source d'alimentation protégée par disjoncteur différentiel.** La présence d'un disjoncteur différentiel limitera les risques de choc électrique.
- **Ne vous mettez pas en porte-à-faux. Maintenez une bonne assiette et un bon équilibre à tout moment.** Cela assurera un meilleur contrôle de l'appareil en cas d'imprévu.
- **Habillez-vous de manière appropriée. Ne portez ni accessoires, ni bijoux. Éloignez vos cheveux, vos vêtements et vos gants des mécanismes lorsque l'appareil fonctionne.** Les foulards, les bijoux et les cheveux longs risquent d'être entraînés par les mécanismes en rotation.
- **Vérifiez le bon raccordement et fonctionnement des aspirateurs de poussière éventuels.** De tels aspirateurs peuvent limiter les risques associés à la dispersion des poussières.
- **Ne laissez pas la familiarité issue d'une utilisation fréquente de l'appareil vous rendre complaisant au point d'ignorer les règles de sécurité applicables.** La moindre imprudence peut occasionner de graves blessures corporelles en une fraction de seconde.

### Utilisation et entretien de l'appareil

- **Ne pas forcer l'appareil. Prévoyez l'appareil le mieux adapté aux travaux envisagés.** Un appareil adapté produira de meilleurs résultats et un meilleur niveau de sécurité lorsqu'il fonctionne au régime prévu.
  - **Ne pas utiliser d'appareil dont l'interrupteur marche/arrêt ne fonctionne pas correctement.** Tout appareil qui ne peut pas être contrôlé par son interrupteur est considéré dangereux et doit être réparé.
  - **Débrancher l'appareil ou retirez son bloc-piles avant tout réglage, remplacement d'outils ou stockage.** De telles mesures préventives aideront à limiter les risques de démarrage accidentel de l'appareil.
  - **Ranger les appareils électriques non utilisés hors de la portée des enfants. L'utilisation de cet appareil doit être exclusivement réservé à du personnel compétent.** Tout appareil électrique peut devenir dangereux entre les mains d'un novice.
  - **Assurer l'entretien régulier des appareils électriques. S'assurer de l'absence d'éléments grippés ou endommagés, voire toute autre anomalie susceptible de nuire au bon fonctionnement et à la sécurité de l'appareil. Ne pas utiliser d'appareil endommagé avant sa réparation.** De nombreux accidents sont le résultat d'appareils mal entretenus.
  - **Assurer l'affûtage et la propreté des outils de coupe.** Des outils de coupe correctement entretenus et affûtés sont moins susceptibles de se gripper et sont plus faciles à contrôler.
- **Soyez attentif, restez concentré et faites preuve de bon sens lors de l'utilisation de ce type d'appareil. Ne jamais utiliser ce matériel lorsque vous êtes fatigué ou sous l'influence de drogues, de l'alcool ou de médicaments.** Lors de l'utilisation d'un appareil électrique, un instant d'inattention risque d'entraîner de graves lésions corporelles.
  - **Prévoyez les équipements de protection individuelle appropriés. Portez systématiquement une protection oculaire.** Selon le cas, le port d'un masque à poussière, de chaussures de sécurité antidérapantes, du casque ou d'une protection auriculaire peut aider à limiter les risques de lésion corporelle.
  - **Évitez les démarrages accidentels. Assurez-vous que son interrupteur est éteint avant de brancher l'appareil, y introduire un bloc-piles, le soulever ou le transporter.** Porter un appareil électrique avec son doigt sur l'interrupteur, voire le brancher lorsque son interrupteur est en position « Marche » est une invitation aux accidents.
  - **Retirez toute clé ou dispositif de réglage éventuel avant de mettre l'appareil en marche.** Une clé ou tout autre dispositif de réglage engagé sur un élément mécanique pourrait provoquer un accident.

- **Utilisez l'appareil, ses accessoires et ses outils selon les consignes ci-présentes, tout en tenant compte des conditions de travail existantes et de la nature des travaux envisagés.** Toute utilisation de l'appareil à des fins autres que celles prévues augmenterait les risques d'accident.
- **Maintenez les poignées et autres surfaces de prise-en-main de l'appareil en parfait état de propreté.** Les poignées et surfaces de prise-en-main encrassées ou glissantes peuvent compromettre la sécurité de l'appareil en cas d'imprévu.

### Service après-vente

- **Confiez la révision de l'appareil à un réparateur qualifié pouvant justifier l'emploi de pièces de rechange d'origine.** Cela assurera la sécurité opérationnelle de l'appareil.

## Consignes de sécurité spécifiques

### **⚠ AVERTISSEMENT**

**La section suivante contient d'importantes consignes de sécurité visant ce type d'appareil en particulier.**

**Lisez-les soigneusement avant d'utiliser l'un ou l'autre de ces systèmes d'entraînements afin de limiter les risques de choc électrique et de graves blessures corporelles.**

### **CONSERVEZ CES INSTRUCTIONS !**

Gardez ce manuel à la portée de tout utilisateur éventuel.

### Sécurité du système d'entraînement

- **Utilisez systématiquement le support fourni avec l'appareil.** Toute perte de contrôle de l'appareil en cours d'utilisation risque d'entraîner des blessures corporelles.
- **Boutonnez vos manches et vos blousons lors de l'utilisation de l'appareil. Ne vous penchez pas sur l'appareil ou le tuyau.** Vos vêtements risqueraient d'être entraînés et de s'entortiller autour du tuyau ou de l'appareil.
- **Un seul individu doit assumer simultanément le contrôle de l'appareil et du processus de filetage.** Plusieurs intervenants risqueraient d'occasionner la mise en marche inattendue de l'appareil et provoquer des blessures corporelles.
- **S'assurer que le sol des lieux est propre et sec.** Les sols mouillés ou gras invitent les accidents.
- **Ne portez pas de gants lors de l'utilisation de l'appareil. Ne vous penchez pas sur l'appareil ou le**

**tuyau.** Les gants risquent d'être entraînés et de s'entortiller autour du tuyau ou du système d'entraînement.

- **Quel que soit le type support utilisé, tenez le système d'entraînement fermement lors du filetage des tuyaux et du retrait de la tête de filetage d'un tuyau afin de résister au couple produit.** Cela limitera les risques de retour de manivelle et autres blessures.
- **Respectez les consignes visant les limites d'utilisation de cet appareil. Ne l'utilisez pas à d'autres fins, tels que le percement de trous ou l'entraînement de treuils.** Toute autre utilisation ou modification de l'appareil pour d'autres applications pourrait augmenter les risques de grave blessure corporelle.
- **N'utilisez pas ce système d'entraînement si son interrupteur Marche/Arrêt ne fonctionne pas.** L'interrupteur Marche/Arrêt est un dispositif de sécurité qui permet d'éteindre le moteur de l'appareil en le lâchant du doigt.
- **N'utilisez pas de filières émoussées ou endommagées.** Les outils de coupe bien affûtés produisent moins de couple et rendent l'appareil plus facile à contrôler.
- **Maintenez les poignées de l'appareil en parfait état de propreté.** Cela permettra de mieux contrôler l'appareil.
- **N'utilisez que des têtes de filière RIDGID avec les systèmes d'entraînement RIDGID.** D'autres types de tête de filière risquent d'être inadaptées à ce système d'entraînement, au point d'endommager l'appareil et provoquer des blessures corporelles.

En cas de questions visant ce produit RIDGID®, veuillez soit ;

- Consulter le distributeur RIDGID le plus proche.
- Visiter le site RIDGID.com pour localiser le conseiller RIDGID le plus proche.
- Consulter les services techniques de Ridge Tool par courriel adressé à [rtctechservices@emerson.com](mailto:rtctechservices@emerson.com), ou bien par téléphone en composant le (800) 519-3456 à partir des Etats-Unis ou du Canada.

## Description, fiche technique et équipements de base

### Description

Les systèmes d'entraînement RIDGID® 600-I et 690-I sont des systèmes d'entraînement à double isolation prévus pour le filetage des tuyaux et conduits tubulaires. Leur inverseur à coulisse permet d'inverser le sens de rotation du système d'entraînement, tandis que leur inter-

rupteur marche/arrêt bi-étagé à contact momentané bi-étagée assure la mise en marche et l'arrêt de leur moteur.

Le système d'entraînement 600-I est prévu pour les têtes de filière orientables RIDGID 11-R pour tuyaux de 1/8" à 1 1/4" de diamètre. Le système d'entraînement 690-I est prévu pour les têtes de filière orientables RIDGID 11-R pour tuyaux de 1 1/4" à 2" de diamètre. Un adaptateur permet l'utilisation des têtes de filière de 1/8" à 1 1/4" sur le système d'entraînement 690-I. Le 690-I est équipé d'un système de retenue qui permet de retenir à la fois l'adaptateur et les têtes de filière de 1 1/2" à 2".

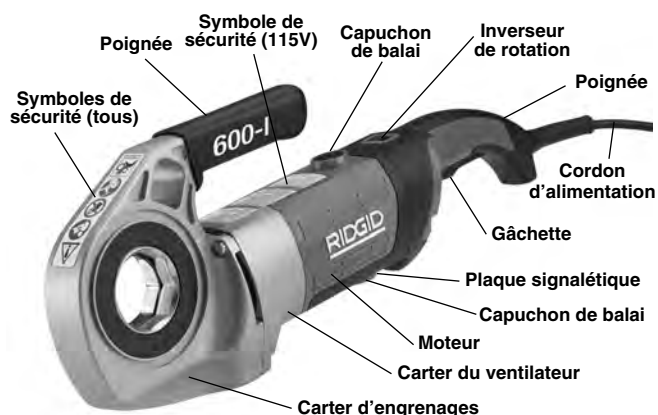


Figure 1 – Fileteuse 600-I

## Caractéristiques techniques

Paramètre	Fileteuse 600-I	Fileteuse 690-I
Diamètre des tuyaux	ø 1/8 à 1 1/4 pouces (ø 3 à 32 mm)	ø 1/8 à 2 pouces (ø 3 à 50 mm)
Maintien de la tête de filetage	Ressort annulaire	Mécanisme de retenue (ø 1 1/2 à 2 pouces) Ressort annulaire (ø 1/8 à 1 1/4 pouces)
Filetages à gauche	Oui	Oui
Supports de système d'entraînement	Types 602 et 601	Types 692 et 691
Adaptateur	N/A	Pour tête de filière ø 1/8 à 1 1/4 pouces
Moteur	Type universel monophasé	Type universel monophasé
Watts	1270 (120V) / 1020 (220-240V)	1270 (120V) / 1020 (220-240V)
Tension / Phases	120V mono, 220-240V mono	120V mono, 220-240V mono
Ampere	12A (120V), 5A (220-240V)	12A (120V), 5A (220-240V)
Régime de rotation (t/min.)	36 (120V), 32 (220-240V)	36 (120V), 32 (220-240V)
Commandes	Inverseur de rotation Gâchette bi-étagée	Inverseur de rotation Gâchette bi-étagée
Carter d'engrenages	Alu moulé, lubrification permanente	Alu moulé, lubrification permanente
Longueur	20 pouces (508 mm)	24,13 pouces (613 mm)
Largeur	3,75 pouces (95 mm)	4,75 pouces (121 mm)
Hauteur	7,5 pouces (191 mm)	8 pouces (203 mm)
Poids	12,65 livres (5,7 kg)	21,5 livres (9,6 kg)
Pression sonore (L <sub>PA</sub> )*	83 dB(A), K=3	83 dB(A), K=3
Puissance sonore (L <sub>WA</sub> )*	94 dB(A), K=3	94 dB(A), K=3
Vibrations*	< 2.5 m/s <sup>2</sup> , K=1.5	< 2.5 m/s <sup>2</sup> , K=1.5

\* Les données sonores et vibratoires ont été établies selon la norme EN 62481-1.

- Le taux de vibrations peut servir de comparaison avec d'autres appareils et à l'évaluation préliminaire des risques d'exposition..

- Les données sonores et vibratoires peuvent varier en fonction de la localisation et l'utilisation de ces appareils.

- Les niveaux d'exposition sonore et vibratoire quotidiennes doivent être évalués pour chaque application, et le cas échéant, les mesures de protection appropriées doivent être prises. L'évaluation des niveaux d'exposition doit prendre en compte les temps morts durant lesquels l'appareil n'est pas en marche. Cela peut considérablement réduire le taux d'exposition au cours de la durée de travail global.

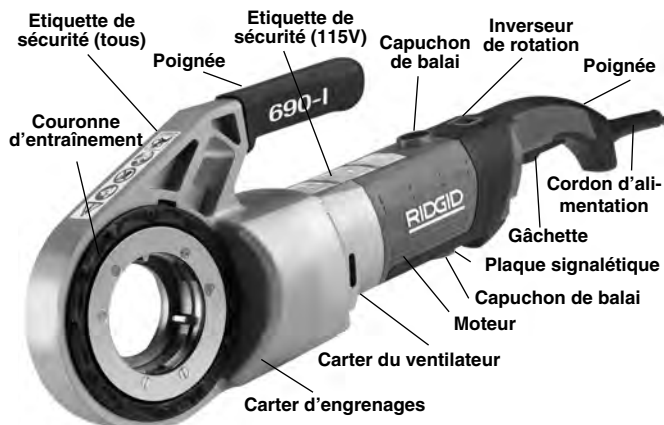


Figure 2 – Fileteuse type 690-I



Figure 3 – Supports de système d'entraînement type 602 et 692

Les plaques signalétiques des systèmes d'entraînement 600-I et 690-I se trouvent sous le carter du moteur. Les 4 derniers chiffres du numéro de série indiquent le mois et l'année de fabrication sous format « MM/AA ».



Figure 4 – Numéro de série de l'appareil

### Equipements de base

Les systèmes d'entraînement 600-I et 690-I sont livrés avec les équipements suivants :

- Systèmes d'entraînement
- Adaptateur pour tête de 600-I (690-I uniquement)
- Mode d'emploi

**AVIS IMPORTANT** Le choix des matériaux et des moyens d'installation, de raccordement et de façonnage utilisés reste la responsabilité du bureau d'études et/ou de

l'installateur concerné. La sélection de matériaux ou de moyens de mise en œuvre inadaptés pourrait provoquer la défaillance du réseau.

L'acier inoxydable et autres métaux réputés non corrosifs peuvent être contaminés lors de leur façonnage ou installation. Toute contamination éventuelle pourrait entraîner la corrosion et la défaillance prématurée du réseau. Il convient donc d'effectuer une étude approfondie afin d'assurer la compatibilité des matériaux et des méthodes d'installation envisagés vis-à-vis des conditions d'exploitation (milieu chimique, température, etc.) prévues avant toute tentative d'installation.

## Inspection préalable

### ⚠ AVERTISSEMENT



**Examinez le système d'entraînement avant chaque intervention afin de corriger toute anomalie éventuelle susceptible d'endommager l'appareil ou d'augmenter les risques de choc électrique, d'écrasement ou d'autres blessures corporelles.**

1. Débranchez le système d'entraînement.
2. Nettoyez soigneusement le système d'entraînement, notamment au droit de ses poignées et commandes, ainsi que son support de système d'entraînement. Cela facilitera l'inspection de l'appareil et assurera une meilleure manipulation du système d'entraînement.
3. Examinez le système d'entraînement et son support de système d'entraînement pour :
  - Signes de détérioration du cordon d'alimentation ou de sa fiche.
  - Un bon assemblage et entretien de l'appareil, ainsi que son intégralité.
  - Signes d'éléments endommagés, désalignés ou grippés.
  - Le bon fonctionnement de son interrupteur marche/arrêt bi-étagé à contact momentané bi-étagé (Figure 5).

- Le bon état et la propreté des mâchoires du support de système d'entraînement. Les mâchoires peuvent être nettoyées à l'aide d'une brosse métallique.
- La présence et la lisibilité de son étiquette de sécurité.
- Toute anomalie susceptible de nuire à la sécurité et au bon fonctionnement de l'appareil.

Corrigez toute anomalie éventuelle avant d'utiliser le système d'entraînement ou son support de système d'entraînement.

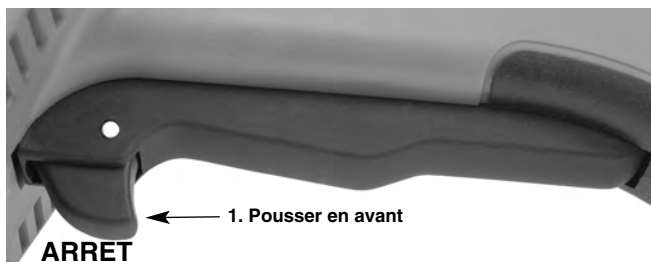


Figure 5A – Gâchette bi-étagée (Marche/Arrêt)



Figure 5B – Gâchette bi-étagée (Marche/Arrêt)

4. Examinez le bord d'attaque des filières pour signes d'usure, de déformation, d'ébréchure ou autre détérioration. Les filières émoussées ou endommagées sollicitent excessivement le système d'entraînement, produisent des filetages de mauvaise qualité, et augmentent les risques d'accident.
5. Examinez et entretenez l'ensemble du matériel utilisé selon les consignes correspondantes afin d'assurer que tout fonctionne normalement.
6. Reportez-vous à la section intitulée *Préparation et utilisation de l'appareil* pour les modalités de vérification de l'état de fonctionnement du système d'entraînement.
  - Mettez l'inverseur en position « F » (Marche Avant). Appuyez momentanément sur l'interrupteur marche/arrêt bi-étagé à contact momentané (Figure 5) afin de confirmer que le système d'entraînement tourne bien en sens horaire (Figure 6), et qu'il s'arrête dès que vous relâchez l'interrupteur marche/arrêt bi-étagé à contact momentané.
  - Répétez le processus avec l'inverseur en position « R » (Marche Arrière) pour vérifier que le système d'entraînement tourne bien en sens antihor-

raire. Si le système d'entraînement ne tourne pas dans le sens prévu, ou si son interrupteur marche/arrêt bi-étagé à contact momentané ne permet pas de le contrôler normalement, il sera nécessaire de le faire réparer avant toute utilisation ultérieure.

**AVIS IMPORTANT** Ne jamais changer la position de l'inverseur lorsque le système d'entraînement tourne. Lâchez l'interrupteur marche/arrêt bi-étagé à contact momentané et attendez l'arrêt complet du système d'entraînement avant de pousser l'inverseur en sens opposé. Cela évitera d'endommager le système d'entraînement.

- Appuyez sur la interrupteur marche/arrêt bi-étagé à contact momentané le temps de déceler d'éventuelles anomalies telles que vibrations, oscillations, grippage, bruits anormaux, etc., puis lâchez la interrupteur marche/arrêt bi-étagé à contact momentané. Le cas échéant, le système d'entraînement devra être réparé avant toute utilisation ultérieure.



Figure 6A – Inverseur en position « F » (marche avant) pour rotation en sens horaire



Figure 6B – Inverseur en position « R » (marche arrière) pour rotation en sens antihoraire

7. Lâchez l'interrupteur marche/arrêt bi-étagé à contact momentané puis, avec les mains sèches, débranche le système d'entraînement.

## Préparation et utilisation du système d'entraînement

### ⚠ AVERTISSEMENT



**Préparez et utilisez le système d'entraînement selon les consignes suivantes afin de limiter les risques de choc électrique, entortillement, traumatisme, écrasement ou autres blessures, et afin d'éviter d'endommager l'appareil.**



**Utilisez le type de support de système d'entraînement indiqué plus loin. Ce type de support améliore le contrôle de l'appareil et réduit les risques de traumatisme, d'écrasement et autres blessures.**

**Si vous utilisez un support autre que le support de système d'entraînement fourni, assurez-vous qu'il prenne appui contre le carter d'engrenages ou le carter du ventilateur. Un support s'appuyant sur le carter moteur ou sur la poignée de l'appareil pourrait endommager ces éléments et augmenter les risques de blessure.**

**Quel que soit le support de système d'entraînement utilisé, il est impératif de bien tenir la système d'entraînement afin de compenser le couple qu'il produit en tournant dans un sens ou dans l'autre. Cela limitera les risques de traumatisme, d'écrasement et autres blessures.**

**Ne portez ni gants, ni vêtements amples lors de l'utilisation de ce type d'appareil. Gardez vos manches et vos blousons boutonnés. Ne vous penchez ni sur le système d'entraînement, ni sur le tuyau. Les vêtements amples ou déboutonnés peuvent facilement s'entortiller autour du tuyau ou du mécanisme d'entraînement.**

**Soutenez le tuyau de manière appropriée afin de limiter les risques de chute, de renversement et de grave blessure corporelle.**

**Ne jamais utiliser de système d'entraînement dont l'interrupteur marche/arrêt bi-étagé à contact momentané ou l'inverseur de rotation ne fonctionne pas correctement.**

**Un seul individu doit contrôler à la fois le processus de filetage et la interrupteur marche/arrêt bi-étagé à contact momentané de l'appareil. Ne jamais utiliser le système d'entraînement à plusieurs. En cas d'entortillement, l'utilisateur doit pouvoir contrôler la interrupteur marche/arrêt bi-étagé à contact momentané.**

1. Examinez les lieux pour :

- Un éclairage suffisant.
- La présence de liquides gaz ou poussières inflammables. Le cas échéant, ne pas travailler dans ces lieux avant d'avoir identifié et éliminé leur source. Les système d'entraînement ne sont pas blindés et risquent d'émettre des étincelles.
- Un endroit dégagé, de niveau, stable et sec pour l'installation du matériel et de l'utilisateur.
- Une bonne ventilation. Eviter toute utilisation prolongée dans les locaux exigus fermés.
- Une prise de courant correctement installée et de tension appropriée. En cas de doute, consulter un électricien.
- Un passage dégagé jusqu'à la prise électrique qui ne contient aucun objet susceptible d'endommager le cordon d'alimentation de l'appareil.

2. Examinez le tuyau et les raccords à fileter afin de confirmer que le système d'entraînement en question est adapté aux travaux envisagés. Reportez-vous à la section *Caractéristiques techniques*. Ne filetez que les tuyaux rectilignes.

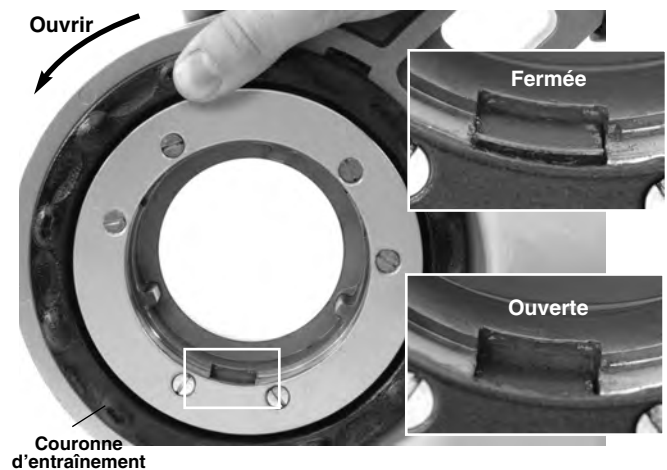
Pour la panoplie de matériel adapté à d'autres applications, consultez le catalogue Ridge Tool, le site [www.RIDGID.com](http://www.RIDGID.com) ou les services techniques de Ridge Tool en composant le 800-519-3456.

3. Assurez-vous du bon état de fonctionnement de l'ensemble du matériel utilisé.

4. Si nécessaire, préparez le tuyau de manière appropriée. Assurez-vous que ses extrémités sont coupées d'équerre et ébarbées. Une extrémité de tuyau en faux équerre risque d'endommager les filières en cours d'opération ou empêcher l'engagement de la tête de filière.

### Installation des têtes de filière

5. Installation des têtes de filière  $\varnothing$  1 1/2 ou 2 pouces, et de l'adaptateur de la 690-I.
- a. S'assurer que l'interrupteur marche/arrêt bi-étagé à contact momentané est relâché et que le système d'entraînement est débranché.
  - b. Ouvrez la couronne en la tournant en sens anti-horaire. Engagez la tête de filière (ou, le cas échéant, l'adaptateur) à fond dans le système d'entraînement, côté entraînement en premier (*Figure 7*).
  - c. Relâchez la couronne d'entraînement, puis assurez-vous du verrouillage approprié de la tête ou de l'adaptateur.
  - d. Inverser le processus pour retirer la tête ou l'adaptateur.



**Figure 7 – Couronne d'entraînement en position ouverte et fermée**



Figure 8 – Installation de l'adaptateur sur la 690-I

6. Installation des têtes de filière de 1/4 pouces ou moins.
  - a. Assurez-vous que l'interrupteur marche/arrêt bi-étagé à contact momentané est relâché et que le système d'entraînement est débranché.
  - b. Au besoin, installez l'adaptateur du 690-I (Figure 8).
  - c. Introduisez l'engrenage octogonal de la tête de filière 11-R dans le système d'entraînement jusqu'à engager le ressort annulaire qui assure son verrouillage. Sur le 600-I, la tête de filière peut être introduite d'un côté ou de l'autre du système d'entraînement. Sur le 690-I, les têtes de filière ne peuvent être introduites que du côté adaptateur.
  - d. La tête de filière devrait se retirer manuellement. Sinon, tapotez sur elle à l'aide d'un maillet ou d'un morceau de bois. Ne jamais marteler la tête de filière, car cela pourrait l'endommager.



Figure 9 – Installation des têtes de filière sur le système d'entraînement 600-I

7. Positionnez l'inverseur de rotation selon le sens de filetage (à droite ou à gauche) voulu (Figure 10).

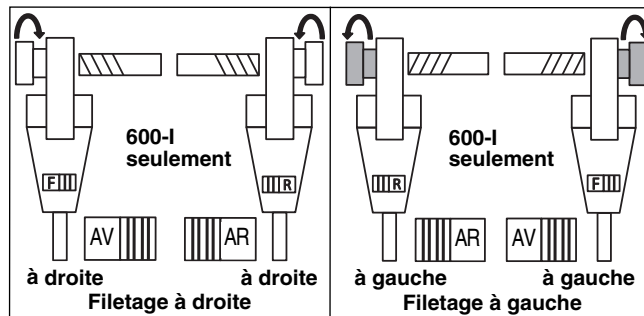


Figure 10 – Position de l'inverseur vis-à-vis du sens de rotation de la tête de filière

8. Assurez-vous de la stabilité et bon arrimage du tuyau à fileter afin d'éviter son renversement en cours d'opération. Prévoyez un nombre de porte-tubes suffisant pour soutenir le tuyau sur toute sa longueur.
9. Vérifiez le niveau d'huile de coupe RIDGID dans le système de lubrification RIDGID 418. Retirez le tiroir à copeaux pour vérifier la propreté et la submersion complète du tamis de filtration. Au besoin, faites l'appoint ou la vidange de l'huile de coupe. Positionnez le sceau de récupération d'huile sous l'extrémité du tuyau.

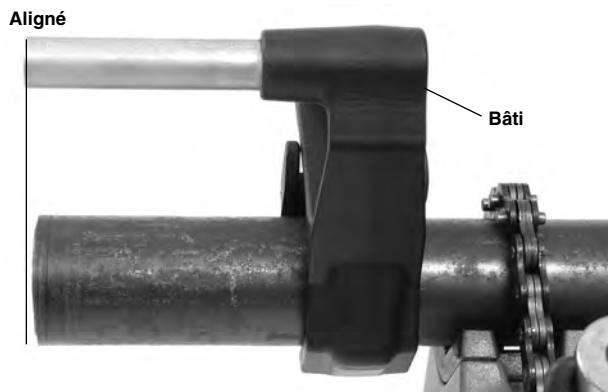
### Compensation du couple de filetage

Utilisation du support de système d'entraînement fourni :

- a. Servez-vous systématiquement du support de système d'entraînement fourni (type 601 ou 602 pour le 600-I ; 691 ou 692 pour le 690-I), sauf si cela s'avère impossible pour raisons d'encombrement ou autres contraintes. Le support de système d'entraînement se fixe sur le tuyau pour aider à absorber le couple généré par l'opération de filetage.
- b. Positionnez le support de système d'entraînement sur le tuyau pour que l'extrémité de son axe s'aligne avec l'extrémité du tuyau et que le bord supérieur de son bâti se trouve à l'horizontale (Figure 11). Cela permettra de monter le système d'entraînement en position approprié et évitera la pénétration d'huile à l'intérieur de son moteur (Figure 12).
- c. Vérifiez que les mâchoires du support de système d'entraînement sont parfaitement alignées sur le tuyau, puis serrez la vis à fond afin de bien l'arrimer.



**Figure 11A – Positionnement du support de système d'entraînement**



**Figure 11B – Positionnement du support de système d'entraînement**



**Figure 12 – Orientation appropriée du système d'entraînement**

Lorsqu'il est impossible d'utiliser le support de système d'entraînement :

Lors de filetages effectués in situ (lire, sur un réseau existant), il est parfois impossible d'utiliser le support de système d'entraînement en raison de son encombrement.

- a. Si possible, déposez le tuyau pour le fileter dans un étau. Sinon, il sera nécessaire de trouver un autre moyen de compenser le couple généré par le filetage, tel qu'en appuyant le carter d'engrenages ou du ventilateur du système d'entraînement con-

tre une structure adjacente (mur, poutre, solive, etc.). Cela suppose que le tuyau et les structures concernées puissent supporter le poids du système d'entraînement, en même temps que le couple qu'il génère. Des supports temporaires ou permanents supplémentaires risquent de s'avérer nécessaires.

- b. Lors des filetages à droite, vue de face, la tête de filière tournera en sens horaire. Le couple ainsi généré aura tendance à faire tourner le système d'entraînement en sens inverse (voire, antihoraire). Le sens de rotation de la tête de filière et celui du système d'entraînement seront inversés lors des filetages à gauche. Assurez-vous que le dispositif ou moyen de compensation de couple utilisé se trouve au bon endroit.
- c. Ne jamais utiliser le carter moteur ou la poignée du système d'entraînement comme point d'appui pour compenser le couple, car cela pourrait endommager l'appareil (Figure 13).
- d. Gardez le système d'entraînement appuyé contre la structure en faisant attention de ne jamais laisser vos doigts ou vos mains entre les deux. En ramenant la tête de filière en arrière en fin d'opération, tenez le système d'entraînement fermement afin d'éviter de déloger les copeaux de filetage sous le couple de l'appareil. De telles précautions limiteront les risques de traumatisme, d'écrasement et autres blessures corporelles. Il est possible de lâcher l'interrupteur marche/arrêt à tout moment pour arrêter le système d'entraînement.

Quel que soit le type support utilisé, tenez le système d'entraînement fermement lors du filetage des tuyaux et de la retraite de la tête de filetage d'un tuyau afin de résister au couple produit. Cela limitera les risques de traumatisme, d'écrasement et autres blessures. Il est possible de lâcher l'interrupteur marche/arrêt à tout moment pour arrêter le système d'entraînement.

### **Le filetage des tuyaux**

10. Avec les mains sèches, branchez le système d'entraînement.
11. Positionnez la tête de filière sur l'extrémité du tuyau, puis le système d'entraînement selon les indications de la section intitulée *Compensation du couple*.



Figure 13 – Entamer le filetage

- Appuyez sur l'interrupteur marche/arrêt bi-étagé à contact momentané tout en appuyant sur le couvercle de la tête de filière avec la paume de votre main libre pour entamer le filetage. Ne portez pas de gants, de bijoux ou de chiffon lorsque vous appuyez sur le couvercle, car cela augmenterait les risques d'entortillement et de blessure. Dès que les filières s'engagent sur l'extrémité du tuyau, elles s'ouvriront pour entamer son filetage.

N'oubliez pas de tenir la poignée du système d'entraînement fermement afin de résister au couple transmis à ce niveau. Les supports de système d'entraînement peuvent glisser et permettre le déplacement du système d'entraînement. Il est possible de lâcher l'interrupteur marche/arrêt bi-étagé à contact momentané à tout moment pour arrêter le système d'entraînement.

- Cessez d'appuyer sur le couvercle de tête de filière et prenez le pistolet de lubrification pour appliquer une quantité généreuse d'huile de coupe RIDGID à la zone de filetage. Cela réduira le couple, améliorera la qualité du filetage et préserva les filières.



Figure 14 – Filetage du tuyau

- Continuez d'appuyer sur l'interrupteur marche/arrêt bi-étagé à contact momentané jusqu'à ce que le tuyau arrive à fleur des filières, puis relâchez-la. Laissez le système d'entraînement s'arrêter complètement.



Figure 15 – Tuyau arrivé à fleur des filières

- Changez l'inverseur de position, puis appuyez sur l'interrupteur marche/arrêt bi-étagé à contact momentané pour inverser le sens de rotation et ramener la tête de filière en arrière. Tenez fermement la poignée du système d'entraînement afin de résister au couple généré pendant le recul de la tête de filière.

**AVIS IMPORTANT** Ne changez l'inverseur de position qu'après avoir lâché l'interrupteur marche/arrêt bi-étagé à contact momentané. Attendez que le système d'entraînement soit à l'arrêt avant de déplacer l'inverseur. Cela évitera d'endommager le système d'entraînement.

- Lâchez l'interrupteur marche/arrêt bi-étagé à contact momentané, puis retirez le système d'entraînement et sa tête de filière du tuyau.
- Avec les mains sèches, débranchez le système d'entraînement.
- Essuyez les filets et la tête de filière pour éliminer l'huile de coupe et les copeaux restants, tout en faisant attention de ne pas vous couper sur les copeaux tranchants. Nettoyez toutes traces d'huile de coup déversée dans la zone de travail.

### Inspection du filetage

- Éliminez toutes traces d'huile, de copeaux et de débris laissés sur le filetage.
- Examinez le filetage. Les filets devraient être lisses, complets et uniformes. Toute anomalie éventuelle (ébréchure ou irrégularité des filets, faux-rond du tuyau, etc.) pourrait nuire à l'étanchéité du filetage lors de l'assemblage. Reportez-vous à la section *Dépannage* pour aider à diagnostiquer ces problèmes.

- Vérifiez la conformité du filetage. La méthode préférée consiste à utiliser une jauge annulaire. Il existe plusieurs types de jauge annulaire dont l'utilisation risque de différer de celle indiquée à la *Figure 16*.
  - Vissez manuellement la jauge annulaire sur le filetage.
  - L'arrière de la jauge devrait alors arriver à fleur du tuyau, avec une marge de plus ou moins un tour. Tout filetage non conforme devra être sectionné et remplacé par un nouveau filetage après avoir réglé la tête de filière. Tout filetage non conforme risque de manquer d'étanchéité.

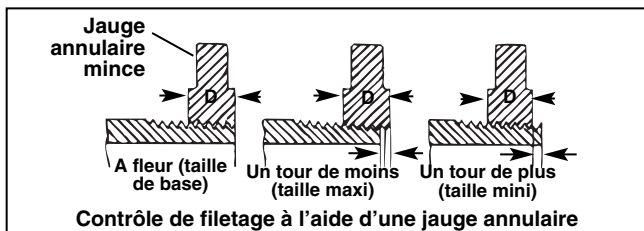


Figure 16 – Contrôle de filetage

- En l'absence d'une jauge annulaire, il est possible de contrôler la conformité des filetages à l'aide d'un raccord propre, neuf et représentatif de ceux utilisés sur le réseau en question. Dès lors, le raccord doit s'engager manuellement sur 4 ou 5 tours pour les filetages NPT de 2 pouces de diamètre ou moins, et sur 3 tours pour les filetages BSPT de même section.

## Consignes d'entretien

### ⚠ AVERTISSEMENT

**Lâchez l'interrupteur marche/arrêt bi-étagé à contact momentané et débranchez l'appareil avant toute intervention ou réglage.**

**Entretenez l'appareil selon les consignes suivantes afin de limiter les risques de choc électrique, d'enchevêtrement ou autres blessures.**

### Nettoyage

- En fin d'opération, videz les copeaux de filetage du tiroir à copeaux du système de lubrification 418, puis nettoyez le tiroir.
- Essayez le système d'entraînement, et notamment ses poignées et commandes, afin d'éliminer toutes traces d'huile, de cambouis, de copeaux et de crasse éventuelles. Sur le 690-I, nettoyez également le mécanisme de retenue de tête de filière.
- Essayez le support de système d'entraînement afin d'éliminer toutes traces d'huile, de cambouis ou de crasse. Au besoin, décrottez ses mâchoires à l'aide d'une brosse métallique.

- Enlevez les copeaux et éliminez la crasse des têtes de filière.

### Remplacement des filières de tête de filière 11-R

La tête de filière RIDGID 11-R peut recevoir une variété de filières. Consultez le catalogue pour leur disponibilité.

- Retirez les ④ vis du couvercle de la tête de filière ②, puis retirez le couvercle.
- Retirez les anciennes filières ③ de la tête de filière.
- Introduisez les nouvelles filières dans leurs logements respectifs avec le numéro de filière vers le haut. Les numéros de filière doivent correspondre à ceux des logements dans la tête de filière. Remplacez systématiquement le jeu de filières au complet.

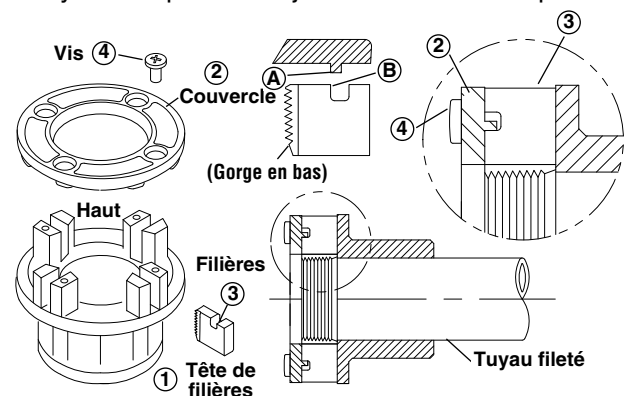


Figure 17 – Installation des filières dans la tête de filières

- Réinstallez le couvercle de la tête de filière, puis engagez les 4 vis sans les serrer.
- Engagez la tête de filière sur un tuyau ou raccord déjà fileté jusqu'à ce que les guides B des filières commencent à fileter. Cela les forcera contre les ergots A du couvercle pour donner aux filières le réglage dimensionnel approprié.
- Serrez les quatre vis à fond. Retirez la tête de filière du tuyau, puis effectuez un filetage d'essai.

### Remplacement des balais du moteur

Examinez les balais du moteur deux fois par an. Remplacez-les dès qu'ils sont usés à moins de 5/16 pouce (8 mm).



Figure 18 – Installation des balais

1. Débranchez l'appareil.
2. Dévissez les capuchons des logements de balai (Figures 1 et 2). Retirez et examinez les balais. Remplacez-les dès qu'ils sont usés à moins de  $\frac{5}{16}$  pouce (8 mm). Examinez le commutateur pour signes d'usure. Faites réviser l'appareil en cas d'usure excessive.
3. Réinstallez ou remplacez les balais et revissez les capuchons.
4. Il est recommandé de faire tourner l'appareil au ralenti pendant 15 minutes dans un sens, puis 15 minutes dans l'autre afin d'assoir les balais.

## Accessoires

### **⚠ AVERTISSEMENT**

**Afin de limiter les risques de grave blessure corporelle, n'utilisez que les accessoires spécifiquement prévus et recommandés pour les systèmes d'entraînement 600-I et 690-I tels que ceux indiqués ci-dessous. L'emploi d'accessoires prévus pour d'autres types d'appareil sur les systèmes d'entraînement 600-I et 690-I pourrait rendre ces derniers dangereux.**

#### Accessoires pour systèmes d'entraînement 600-I et 690-I

Réf. catalogue	Description
45923	Support de système d'entraînement n° 602
45928	Support de système d'entraînement n° 692
46668	Malette de transport pour 600-I
46673	Malette de transport pour 690-I
10883	Pistolet de lubrification 418 avec 1 gallon d'huile Nu-Clear
16703	Etau sur trépied TRISTAND 425 pour $\varnothing \frac{1}{8}$ à $2\frac{1}{2}$ pouces
36273	Etau sur trépied TRISTAND 460-6 pour $\varnothing \frac{1}{8}$ à 6 pouces

De plus amples renseignements concernant les accessoires spécifiquement prévus pour ces appareils se trouvent dans le catalogue RIDGID et sur le site [www.RIDGID.com](http://www.RIDGID.com)

## Stockage de l'appareil

**⚠ AVERTISSEMENT** Les systèmes d'entraînement doivent être stockés à l'intérieur ou à l'abri des intempéries. Stockez l'appareil dans un local sous clé, hors de la portée des enfants et des individus non familiers avec ce type de matériel. Laisse entre les mains d'un individu dépourvu de la formation requise, ce type d'appareil peut provoquer de graves blessures corporelles.

## Révisions et réparations

### **⚠ AVERTISSEMENT**

**Toute révision ou réparation inappropriée de l'ap-**

**pareil risquerait de rendre son utilisation dangereuse.**

La section intitulée « Consignes d'entretien » devrait couvrir la majorité des besoins d'entretien de l'appareil. Toute anomalie qui n'est pas couverte dans cette section doit être traitée par un réparateur RIDGID agréé.

L'appareil devra alors être confié au réparateur RIDGID le plus proche, ou bien renvoyé à l'usine.

Pour localiser le réparateur RIDGID le plus proche, ou bien pour poser d'éventuelles questions visant la révision ou la réparation de l'appareil, veuillez :

- Consulter le point de vente RIDGID® le plus proche.
- Visiter le site [RIDGID.com](http://RIDGID.com) pour localiser le contact RIDGID le plus proche.
- Consulter les services techniques Ridge Tool par mail adressé à : [rttechservices@emerson.com](mailto:rttechservices@emerson.com), ou par téléphone en composant le 800-519-3456 depuis les Etats-Unis ou le Canada.

## Huile de coupe

Les informations visant la manipulation et l'utilisation de l'huile de coupe RIDGID® Thread Cutting Oil se trouvent sur le récipient et sur la fiche signalétique du produit. La fiche signalétique peut être obtenue sur le site [RIDGID.com](http://RIDGID.com) ou auprès des services techniques Ridge Tool par mail adressé à : [rttechservices@emerson.com](mailto:rttechservices@emerson.com), ou par téléphone en composant le 800-519-3456 depuis les Etats-Unis ou le Canada.

## Recyclage

Certains composants des systèmes d'entraînement contiennent des matières rares susceptibles d'être recyclées. Des sociétés de recyclage spécialisées peuvent parfois se trouver localement. Recyclez ce type de matériel selon la réglementation en vigueur. Consultez les services de recyclage de votre localité pour de plus amples renseignements.



**A l'attention des pays de la CE :** Ne jamais jeter de matériel électrique dans les ordures ménagères !

Selon la directive européenne 2012/19/EU visant le recyclage des déchets électriques et électroniques, ainsi que les diverses réglementations nationales qui en découlent, tout matériel électrique non utilisable doit être trié séparément et recyclé de manière écologiquement responsable.

## Dépannage

ANOMALIE	CAUSE POSSIBLE	SOLUTION
L'appareil ne marche pas	Balais trop loin de l'armature.	Vérifier les balais. Remplacer les balais usés.
L'appareil n'arrive pas à fileter.	Filières émoussées. Surcharge due à la déchirure ou à l'ovalisation du filetage. Manque ou mauvaise qualité d'huile de coupe. Tension d'alimentation trop faible.	Remplacer les filières. Se reporter aux raisons possibles ci-dessous. Utiliser de l'huile de coupe RIDGID en quantité suffisante. Vérifier la source d'alimentation.
Des étincelles apparaissent au niveau du commutateur du moteur.	Contact entre balais et commutateur insuffisant. Mauvais contact entre balais et commutateur. Balais d'origine autre. Balais neufs.	Serrer les capuchons pour mieux appuyer les balais contre le commutateur. Remplacer les balais usés et/ou l'armature. Utiliser exclusivement les balais RIDGID®.
La tête de filière ne s'engage pas sur le tuyau.	Tête de filière mal alignée sur le tuyau. Force d'engagement mal appliquée. Embout du tuyau en faux équerre. Filières émoussées ou endommagées. Mauvais sens de rotation. Filières mal installées.	Appuyer sur le couvercle de tête de filière pour l'engager. Appliquer la force d'engagement dans l'axe du tuyau. Equerrer l'embout du tuyau. Remplacer les filières. Vérifier la position de l'inverseur de rotation. S'assurer que les guides de filière viennent à buter contre les ergots du couvercle.
Le filetage produit est endommagé.	Filières endommagées, ébréchées ou usées. Insuffisance ou non-conformité de l'huile de coupe. Filières inadaptées au type de tuyau à fileter. Tuyau de composition ou de qualité douteuse.	Remplacer les filières. Utiliser exclusivement l'huile de coupe RIDGID® Thread Cutting Oil en quantité suffisante. Prévoir les filières haute-vitesse, acier inox ou alliage appropriées. Utiliser des tuyaux de meilleure qualité.
Le filetage est ovalisé ou écrasé.	Parois de tuyau trop minces.	Prévoir des tuyaux d'une épaisseur de paroi minimale Série 40 ou supérieure.
Le support de système d'entraînement tourne en cours de filetage.	Mâchoires du support encrassées. Support mal aligné. Support desserré.	Les nettoyer à l'aide d'une brosse métallique. Réaligner le support sur le tuyau. Resserrer la vis de serrage.
Filetages minces.	Filières mal installées.	Installer les filières dans les logements appropriés.





## 600-I y 690-I



### **⚠️ ADVERTENCIA**

Antes de utilizar este aparato, lea detenidamente su Manual del Operario. Pueden ocurrir descargas eléctricas, incendios y/o graves lesiones si no se entienden y siguen las instrucciones de este manual.

#### **Accionamientos motorizados 600-I y 690-I**

Apunte aquí y guarde el número de serie del producto; se encuentra en su placa de características.

No. de serie

--	--


## Índice de materias

Formulario de registro para el número de serie del aparato .....	31
Simbología de seguridad.....	33
<b>Información de seguridad general para aparatos motorizados</b>	
Seguridad en la zona de trabajo .....	33
Seguridad eléctrica .....	33
Seguridad personal .....	34
Uso y cuidado de los aparatos motorizados .....	34
Servicio .....	35
<b>Información de seguridad específica</b>	
Seguridad de accionamientos motorizados .....	35
<b>Descripción, especificaciones y equipo estándar</b>	
Descripción .....	36
Equipo estándar.....	36
Especificaciones .....	37
<b>Inspección previa a la operación</b> .....	37
<b>Puesta en marcha y operación</b> .....	38
Montaje del cabezal roscador .....	39
Resistencia a las fuerzas de roscado .....	40
Roscado.....	41
Inspección de roscas .....	42
<b>Instrucciones de mantenimiento</b>	
Limpieza.....	43
Reemplazo de terrajas en cabezales roscadores 11-R.....	43
Reemplazo de cepillos en el motor .....	43
<b>Accesorios</b> .....	44
<b>Almacenamiento de la máquina</b> .....	44
<b>Servicio y reparaciones</b> .....	44
<b>Aceite de corte</b> .....	44
<b>Eliminación de la máquina</b> .....	45
<b>Resolución de problemas</b> .....	46
<b>Declaración de conformidad de la Comunidad Europea</b> .....	Interior de la carátula posterior
<b>Garantía vitalicia</b> .....	Carátula posterior


\*Traducción del manual original


## Simbología de seguridad

En este manual del operario y en el producto mismo encontrará símbolos y palabras de advertencia que comunican importante información de seguridad. Para su mejor comprensión, en esta sección se describe el significado de estas palabras y símbolos de advertencia.


 Este es el símbolo de una alerta de seguridad. Sirve para prevenir al operario de las lesiones corporales que podría sufrir. Obedezca todas las instrucciones de seguridad que acompañan a este símbolo para evitar posibles lesiones o muerte.


 **PELIGRO** Este símbolo de PELIGRO advierte de una situación de riesgo o peligro que, si no se evita, podría producir la muerte.


 **ADVERTENCIA** Este símbolo de ADVERTENCIA avisa de una situación de riesgo o peligro que, si no se evita, podría producir la muerte o lesiones graves.


 **CUIDADO** Este símbolo de CUIDADO advierte de una situación de riesgo o peligro que, si no se evita, podría producir lesiones leves o moderadas.


**AVISO** Un AVISO advierte de la existencia de información relacionada con la protección de un bien o propiedad.


 Este símbolo significa que es necesario leer detenidamente su manual del operario antes de usar el equipo. El manual del operario contiene información importante acerca del funcionamiento apropiado y seguro del equipo.


 Este símbolo indica que cuando maneje o utilice este equipo siempre debe usar gafas o anteojos de seguridad con viseras laterales, con el fin de evitar lesiones a los ojos.

 Este símbolo indica que existe el riesgo de que los dedos, manos, ropa y otros objetos se enganchen o se pellizquen en los engranajes u otras piezas giratorias de la máquina y se produzcan lesiones por aplastamiento.

 Este símbolo advierte del peligro de descargas eléctricas.

 Este símbolo indica que la máquina puede volcarse y causar lesiones por aplastamiento o golpes.

 Este símbolo indica que el operario no debe usar guantes mientras hace funcionar esta máquina, puesto que podrían engancharse.

 Este símbolo indica que debe usar un soporte para resistir las fuerzas de roscado, mejorar el control y reducir el riesgo de lesiones por golpes, aplastamiento o por otras causas.

## Información de seguridad general para aparatos motorizados\*

### **ADVERTENCIA**

**Lea todas las advertencias de seguridad, instrucciones, ilustraciones y especificaciones que acompañan a esta máquina eléctrica. Si no se siguen todas las siguientes instrucciones, podrían producirse descargas eléctricas, incendios y/o lesiones graves.**

### **¡GUARDE TODAS LAS ADVERTENCIAS E INSTRUCCIONES PARA POSTERIOR CONSULTA!**

El término "aparato motorizado" en las advertencias se refiere a la herramienta de trabajo que funciona ya sea enchufada a un tomacorriente (con cordón) o con baterías (sin cordón).

### Seguridad en la zona de trabajo

- Mantenga su zona de trabajo limpia y bien iluminada.

**nada.** Los lugares desordenados u oscuros pueden provocar accidentes.

- **No haga funcionar aparatos motorizados en ambientes explosivos, es decir, en presencia de líquidos, gases o polvo inflamables.** Los equipos pueden generar chispas que podrían encender los gases o el polvo.
- **Mientras haga funcionar un aparato motorizado, mantenga alejados a los niños y espectadores.** Cualquier distracción podría hacerle perder el control del aparato.

### Seguridad eléctrica

- **El enchufe del aparato eléctrico debe corresponder al tomacorriente. Jamás modifique el enchufe del aparato. No utilice un enchufe adaptador cuando haga funcionar un aparato motorizado provisto de conexión a tierra.** Los enchufes intactos y tomacorrientes que les correspondan reducen el riesgo de choques de electricidad.

\* El texto utilizado en la sección sobre Advertencias de seguridad general para aparatos motorizados se ha copiado textualmente de la correspondiente norma EN 62841-1, como se exige. Esta sección contiene indicaciones de seguridad general para diversos tipos de aparatos motorizados. No todas las precauciones corresponden a cada aparato, y algunas no corresponden a este accionamiento motorizado.

- **Evite el contacto de su cuerpo con artefactos conectados a tierra tales como cañerías, radiadores, estufas o cocinas, y refrigeradores.** Aumenta el riesgo de choques de electricidad si su cuerpo ofrece conducción a tierra.
- **No exponga los aparatos eléctricos a la lluvia ni permita que se mojen.** Cuando a un aparato le entra agua, aumenta el riesgo de choques de electricidad.
- **No maltrate el cordón eléctrico del aparato. Nunca transporte el aparato tomándolo de su cordón eléctrico ni jale del cordón para desenchufarlo del tomacorriente. Mantenga el cordón alejado del calor, aceite, bordes cortantes o piezas móviles.** Un cordón enredado o en mal estado aumenta el riesgo de choques de electricidad.
- **Al hacer funcionar un aparato eléctrico a la intemperie, emplee un cordón de extensión fabricado para uso exterior.** Los alargadores diseñados para su empleo al aire libre reducen el riesgo de choques de electricidad.
- **Si resulta inevitable el empleo de una máquina eléctrica en un sitio húmedo, enchúfela en un tomacorriente GFCI (dotado de un Interruptor del Circuito de Pérdida a Tierra).** El interruptor GFCI reduce el riesgo de choques de electricidad.

### Seguridad personal

- **Manténgase alerta, preste atención a lo que está haciendo y use el sentido común cuando haga funcionar algún equipo motorizado. No use ningún equipo si usted está cansado o se encuentra bajo la influencia de drogas, alcohol o medicamentos.** Tan solo un breve descuido durante el funcionamiento de un aparato motorizado puede resultar en lesiones graves.
- **Use equipo de protección personal. Siempre use protección para los ojos.** Según corresponda para cada situación, colóquese equipo de protección como mascarilla para el polvo, calzado de seguridad antideslizante, casco o protección para los oídos, con el fin de reducir las lesiones personales.
- **Evite echar a andar un aparato sin querer. Asegure que el interruptor de la herramienta se encuentra en la posición OFF (apagado) antes de enchufar el aparato a la corriente eléctrica o de conectarlo a sus baterías, de tomarlo o acarrearlo.** Se producen accidentes cuando se transportan aparatos con el dedo puesto sobre su interruptor, o se los enchufa o conecta a la fuente de corriente con el interruptor en la posición de encendido (ON).
- **Extraiga cualquier llave que esté acoplada al apa-**

**rato motorizado antes de encenderlo.** Una llave acoplada a una pieza o parte giratoria del aparato motorizado puede producir lesiones personales.

- **No trate de extender el cuerpo para alcanzar algo. Tenga los pies bien plantados y mantenga el equilibrio en todo momento.** Esto permite un mejor control del equipo en situaciones inesperadas.
- **Vístase adecuadamente. No lleve ropa suelta ni joyas. Mantenga su cabello, ropa y guantes apartados de las piezas en movimiento.** La ropa suelta, las joyas o el pelo largo pueden engancharse en las piezas móviles.
- **Si se proveen dispositivos para la extracción y recolección del polvo cuando se usa el aparato, conéctelos y empléelos correctamente.** El uso de mecanismos que limpian el aire en el ambiente de trabajo reduce el riesgo de problemas generados por el polvo.
- **No deje que su familiarización debido al uso frecuente del aparato lo lleve a hacer caso omiso de los principios de seguridad de las herramientas.** Cualquier descuido podría causar lesiones graves en una fracción de segundo.

### Uso y cuidado de los aparatos motorizados

- **No fuerce los aparatos. Use el equipo correcto para la tarea que está por realizar.** Con el equipo adecuado se hará mejor el trabajo y en forma más segura en la clasificación nominal para la cual fue diseñado.
- **Si el interruptor del aparato no lo enciende (ON) o no lo apaga (OFF), no utilice el aparato.** Cualquier herramienta que no se pueda controlar mediante su interruptor es un peligro y debe repararse.
- **Antes de hacer ajustes, cambiar accesorios o de almacenar el aparato, desenchúfelo y/o extráigale las baterías, si es posible.** Estas medidas de seguridad preventiva reducen el riesgo de poner el aparato en marcha involuntariamente.
- **Almacene los aparatos motorizados que no estén en uso fuera del alcance de los niños y no permita que los hagan funcionar personas que no estén familiarizadas con los aparatos o no hayan leído estas instrucciones de operación.** Los equipos que estén en manos de personas no capacitadas son peligrosos.
- **Haga la mantención necesaria de los aparatos motorizados y sus accesorios. Revise el equipo para verificar que las piezas móviles no estén mal alineadas o agarrotadas. Verifique que no tenga**

partes quebradas ni presente alguna otra condición que podría afectar su funcionamiento. Si un aparato está dañado, hágalo reparar antes de utilizarlo. Muchos accidentes se deben a equipos motorizados que no han recibido un mantenimiento adecuado.

- **Mantenga las hojas y fillos de corte afilados y limpios.** Las herramientas para cortar provistas de fillos afilados son menos propensas a trabarse y son más fáciles de controlar.
- **Utilice la herramienta motorizada, accesorios y acoplados, etc., únicamente conforme a estas instrucciones, tomando en cuenta las condiciones de trabajo y la tarea que debe realizar.** El uso de la herramienta motorizada para trabajos diferentes a los que le corresponden podría producir una situación peligrosa.
- **Mantenga los mangos y superficies de agarre secos, limpios y exentos de aceite o grasa.** Si los mangos o superficies de agarre están resbalosos, el aparato no se puede manipular en forma segura ni controlar en situaciones inesperadas.

## Servicio

- **Encomiende el servicio de la herramienta motorizada únicamente a técnicos calificados que usen repuestos idénticos a las piezas originales.** Así se garantiza la continua seguridad del aparato.

## Información de seguridad específica

### ⚠ ADVERTENCIA

**Esta sección contiene información de seguridad importante que es específica para esta herramienta.**

**Antes de utilizar los accionamientos motorizados, lea estas instrucciones detenidamente para reducir el riesgo de choque de electricidad o de lesiones personales graves.**

### ¡GUARDE ESTAS INSTRUCCIONES!

Mantenga este manual junto con la máquina, para que lo use el operario.

## Seguridad de los accionamientos motorizados

- **Siempre use el soporte que se proporciona con el aparato.** Si pierde el control del aparato durante el funcionamiento, pueden producirse lesiones personales.
- **Mantenga las mangas y chaquetas abrochadas cuando el aparato esté en marcha. No estire el**

**cuerpo para alcanzar algo por encima del aparato o del tubo.** La ropa podría quedar enganchada en el tubo o en el aparato, produciendo un enmarañamiento.

- **Un solo operario debe controlar el proceso de trabajo y el funcionamiento del aparato.** Si alguien más está presente en el proceso, el aparato podría echarse a andar en forma inadvertida y causar lesiones personales.
  - **Mantenga el piso seco y exento de materiales resbalosos como el aceite.** Los pisos resbaladizos provocan accidentes.
  - **No use guantes cuando haga funcionar la máquina. No estire el brazo por encima de la máquina ni de un tubo.** La máquina o el tubo pueden enganchar los guantes y enmarañarlos.
  - **Siempre agarre el accionamiento motorizado firmemente cuando rosque un tubo o cuando retire el cabezal roscador del tubo, para resistir las fuerzas de roscado, aunque esté usando un soporte.** Esto reduce el riesgo de lesiones por golpes, aplastamiento u otras causas.
  - **Siga las instrucciones para usar esta máquina como es debido. No la utilice para otros fines, como perforar agujeros o girar un malacate.** Si usa la máquina para otros fines o la modifica para otras tareas, aumenta el riesgo de causar lesiones graves.
  - **No use este accionamiento motorizado si está averiado el interruptor de encendido y apagado (ON/OFF).** Este interruptor es un dispositivo de seguridad que le permite apagar el motor al soltar el interruptor.
  - **No use terrajas dañadas o mal afiladas.** Las herramientas de corte bien afiladas exigen un menor par de torsión y facilitan el control del accionamiento motorizado.
  - **Mantenga los mangos secos y limpios, exentos de aceite y grasa lubricante.** Esto permite un mejor control de la máquina.
  - **Utilice solamente cabezales roscadores RIDGID con los accionamientos motorizados RIDGID.** Otros cabezales roscadores podrían no ajustarse bien al accionamiento motorizado, lo cual aumenta el riesgo de dañar la máquina y causar lesiones personales.
- Si tiene alguna pregunta acerca de este producto RIDGID®:
- Comuníquese con el distribuidor RIDGID en su localidad.

- Visite RIDGID.com para averiguar dónde se encuentran los centros autorizados de RIDGID más cercanos.
- Comuníquese con el Departamento de Servicio Técnico de Ridge Tool en rttechservices@emerson.com, o llame por teléfono desde EE. UU. o Canadá al (800) 519-3456.

## Descripción, especificaciones y equipo estándar

### Descripción

Los accionamientos motorizados Modelo 600-I y Modelo 690-I de RIDGID® tienen un mecanismo de transmisión con aislamiento doble que suministra potencia para roscar tubos y tuberías para conductores. La rotación hacia adelante (avance) o en reversa (retroceso) se puede seleccionar con un interruptor corredizo. El encendido y apagado (ON/OFF) se controla mediante un interruptor de contacto momentáneo de dos pasos.

El accionamiento motorizado 600-I está diseñado para usar cabezales roscadores encajables 11-R, para tubos de 1/8" a 1 1/4". El accionamiento motorizado 690-I está diseñado para usar cabezales roscadores encajables 11-R, para tubos de 1/8" a 2". Se exige un adaptador para usar el accionamiento motorizado 690-I con tubos de 1/8" a 1 1/4" de diámetro. El adaptador y los tubos de 1 1/2" a 2" se sostienen en el accionamiento motorizado 690-I mediante un mecanismo de retención.



Figura 1 – Accionamiento motorizado Modelo 600-I



Figura 2 – Accionamiento motorizado Modelo 690-I



Figura 3 – Brazos de soporte 602 y 692

La placa con el número de serie de los accionamientos motorizados 600-I y 690-I está ubicada debajo de la caja del motor. Los últimos cuatro dígitos del número de serie indican el mes y el año de fabricación (MMAA).



Figura 4 – Número de serie de la máquina

### Equipo estándar

Los accionamientos motorizados se suministran con:

- Accionamiento motorizado
- Adaptador 690-I (solo para el 690-I)
- Manual del operario

**AVISO** La selección de los materiales y del método de unión o junta apropiados es responsabilidad del diseñador y/o del instalador del sistema. La selección de materiales o métodos que no son apropiados podría causar una falla del sistema.

## Especificaciones

Parámetro	Accionamiento motorizado 600-I	Accionamiento motorizado 690-I
Diámetro de tubos a roscar	1/8 pulg. a 1 1/4 pulg. (3 a 32 mm)	1/8 pulg. a 2 pulg. (3 a 50 mm)
Sujeción del cabezal roscador	Aro de sujeción	Mecanismo de retención (1 1/2 a 2 pulg.) Aro de sujeción (1/8 a 1 1/4 pulg.)
Roscado a mano izquierda	Sí	Sí
Brazo de soporte	Nº 602, Nº 601	Nº 692, Nº 691
Adaptador	No se exige.	Utilizado con cabezales roscadores de 1/8" a 1 1/4".
Tipo de motor	Motor universal monofásico	Motor universal monofásico
Potencia (W)	1270 (120 V), 1020 (220-240 V)	1270 (120 V), 1020 (220-240 V)
Voltaje/ fase disponible	120 V / 1ph, 220-240 V / 1ph	120 V / 1ph, 220-240 V / 1ph
Amperes	12 A (120 V), 5 A (220-240 V)	12 A (120 V), 5 A (220-240 V)
Velocidad de funcionamiento (RPM)	36 (120 V), 32 (220-240 V)	36 (120 V), 32 (220-240 V)
Controles	Interruptor corredizo de avance/retroceso (F/R) Interruptor ON/OFF de contacto momentáneo, de dos pasos	Interruptor corredizo de avance/retroceso (F/R) Interruptor ON/OFF de contacto momentáneo, de dos pasos
Cabezal de engranajes	Aluminio fundido a presión, engrasado permanentemente	Aluminio fundido a presión, engrasado permanentemente
Longitud	20 pulg. (508 mm)	24,13 pulg. (613 mm)
Ancho	3,75 pulg. (95 mm)	4,75 pulg. (121 mm)
Altura	7,5 pulg. (191 mm)	8 pulg. (203 mm)
Peso	12,65 libras (5,7 kg)	21,15 libras (9,6 kg)
Presión sonora (L <sub>PA</sub> )*	83 dB(A), K=3	83 dB(A), K=3
Potencia sonora (L <sub>WA</sub> )*	94 dB(A), K=3	94 dB(A), K=3
Vibración*	< 2,5 m/s <sup>2</sup> , K=1,5	< 2,5 m/s <sup>2</sup> , K=1,5

\* Las mediciones de sonido y vibración se hacen conforme a una prueba estandarizada según la norma EN 62481-1.

- Los niveles de vibración pueden usarse para hacer comparaciones con otras herramientas y para una evaluación preliminar de la exposición.

- Las emisiones de sonido y vibración podrían variar según la ubicación del operario y el uso específico de estos aparatos.

- Es necesario evaluar los niveles diarios de exposición al sonido y a la vibración para cada aplicación. Es necesario tomar medidas de seguridad cuando sean necesarias. La evaluación de los niveles de exposición debe tomar en cuenta el tiempo durante el cual el aparato está apagado y no se está usando. Esto puede reducir significativamente el nivel de exposición durante el período total de trabajo.

El acero inoxidable y otros materiales resistentes a la corrosión se podrían contaminar durante la instalación, unión o formado. Esta contaminación podría causar corrosión y fallas prematuras. Antes de comenzar una instalación se requiere efectuar una minuciosa evaluación de los materiales y métodos usados para las condiciones específicas del servicio, incluyendo las condiciones químicas y la temperatura.

## Inspección previa a la operación

### ⚠ ADVERTENCIA



**Antes de usar el accionamiento motorizado, hágale una inspección y corrija cualquier problema, para reducir el riesgo de lesiones graves producidas por choque de electricidad, aplastamiento y otras causas, y para proteger la máquina contra daños.**

1. Asegure que el accionamiento motorizado esté desenchufado.
2. Limpie el aceite, grasa y suciedad presentes en el accionamiento motorizado y el soporte, incluyendo los mangos y controles. Esto facilita su inspección y ayuda a evitar que la máquina o los controles se resbalen de sus manos.
3. Inspeccione el accionamiento motorizado y el brazo de soporte para verificar lo siguiente:
  - El cordón y el enchufe no están dañados ni se han modificado.
  - Están bien ensamblados, bien mantenidos y completos.
  - No hay piezas dañadas, mal colocadas o enredadas.
  - El interruptor ON/OFF de contacto momentáneo, de dos pasos, funciona bien (*Figura 5*).
  - Las ranuras de las mordazas del soporte están limpias y en buenas condiciones. Las ranuras de las mordazas se pueden limpiar con un cepillo de alambre.

- La etiqueta de advertencia está presente y legible.
- No existe ninguna condición que impida su funcionamiento seguro y normal.

Si se encuentra algún problema, no utilice el accionamiento motorizado hasta que se hayan reparado las fallas.

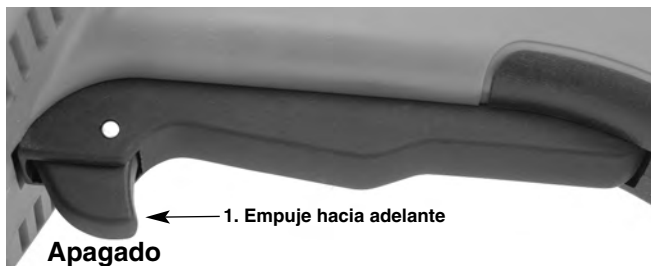


Figura 5A – Interruptor ON/OFF de contacto momentáneo, de dos pasos

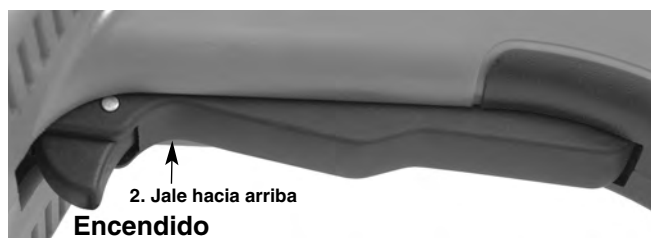


Figura 5B – Interruptor ON/OFF de contacto momentáneo, de dos pasos

4. Inspeccione los bordes cortantes de las terrajas para verificar que no estén deformados, desportillados o que presenten otros problemas. Los dispositivos de corte desafilados o dañados exigen mayor fuerza para funcionar, producen roscas de mala calidad y aumentan el riesgo de lesiones.
5. Revise cualquier otro equipo que se use y hágale mantenimiento conforme a sus instrucciones para asegurar su buen funcionamiento.
6. Después de seguir las instrucciones de Puesta en marcha y operación, revise el accionamiento motorizado para asegurar que funcione bien.
  - Coloque el interruptor F/R (avance/retroceso) en la posición de avance (F). Oprima y suelte el interruptor ON/OFF (Figura 5). Confirme que el accionamiento motorizado gira hacia la derecha (vea la Figura 6) y que se detiene cuando se suelta el interruptor.
  - Repita el procedimiento con el interruptor en la posición de retroceso (R), para que el aparato gire hacia la izquierda. Si el accionamiento motorizado no gira en el sentido correcto, o si el interruptor ON/OFF no controla el funcionamiento de la máquina, no use el accionamiento motorizado hasta que lo haga reparar.

**AVISO** Cambie la posición del interruptor corredizo F/R solamente cuando el interruptor de gatillo ON/OFF no esté oprimido. Permita que el accionamiento motorizado

se detenga por completo antes de invertir el sentido de la rotación con el interruptor F/R. Esto reduce el riesgo de dañar el accionamiento motorizado.

- Oprima y mantenga oprimido el interruptor ON/OFF. Inspeccione las piezas móviles para verificar que no estén desalineadas o atascadas, que no hagan ruidos extraños ni presenten otros problemas. Suelte el interruptor ON/OFF. Si encuentra alguna condición extraña, no use la máquina hasta que la haga reparar.



Figura 6A – Posición de avance (F) (hacia la derecha) del interruptor



Figura 6B – Posición de retroceso (R) (hacia la izquierda) del interruptor

7. Suelte el interruptor ON/OFF; con las manos secas, desenchufe la máquina.

## Puesta en marcha y operación

### ⚠ ADVERTENCIA



**Instale y haga funcionar el accionamiento motorizado de acuerdo con estos procedimientos, para reducir el riesgo de lesiones causadas por choque de electricidad, enmarañamientos, golpes, aplastamiento y otras causas, y para proteger el accionamiento motorizado contra daños.**

**Use un aparato de soporte apropiado, conforme a estas instrucciones. Los soportes mejoran el control y reducen el riesgo de lesiones por golpes, aplastamiento u otras causas.**

**Cuando haga el roscado de tubos de 3/4" o mayor diámetro, use un soporte para oponer resistencia a las fuerzas de roscado. Use un soporte adecuado conforme a estas instrucciones. Los soportes mejoran el control y reducen el riesgo de lesiones por golpes, aplastamiento u otras causas.**

**Cuando use un soporte que sea diferente al brazo de**



**soporte suministrado, dicho soporte debe ejercer reacción contra la caja de engranajes o la caja del ventilador. Si el soporte está apoyado contra la caja del motor o el mango, podrían dañarse estas partes o aumentar el riesgo de lesiones.**

**Siempre agarre el accionamiento motorizado firmemente cuando rosque un tubo o cuando aleje el cabezal roscador del tubo, para resistir las fuerzas de roscado, aunque esté utilizando un soporte. Esto reduce el riesgo de lesiones por golpes, aplastamiento u otras causas.**

**No use guantes ni ropa suelta cuando haga funcionar máquinas. Mantenga abotonadas las chaquetas y las mangas. La ropa suelta se puede enredar en las piezas giratorias y causar lesiones por aplastamiento o golpes.**

**Asegure que el tubo tenga soporte. Esto reduce el riesgo de caídas y volcamientos del tubo y de causar lesiones graves.**

**No use un accionamiento motorizado sin un interruptor ON/OFF y un interruptor corredizo F/R que estén en buen estado de funcionamiento.**

**Una sola persona debe controlar el trabajo y el interruptor ON/OFF. No debe operarse con más de una sola persona. Si se produce un enganche, el operario debe ser capaz de controlar el interruptor ON/OFF.**

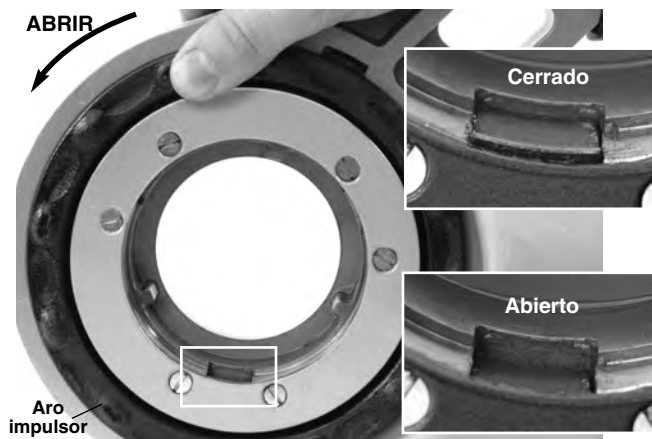
1. Revise la zona de trabajo para verificar lo siguiente:
  - Hay suficiente luz.
  - No hay líquidos, gases ni polvo que puedan incendiarse. Si éstos están presentes, no trabaje en ese lugar hasta que identifique y corrija estos problemas. Los accionamientos motorizados no son a prueba de explosiones y pueden generar chispas.
  - El lugar para el operario y todos los equipos está despejado, nivelado y seco, y es estable.
  - Hay buena ventilación. No use el aparato durante períodos prolongados en lugares encerrados pequeños.
  - Hay un tomacorriente del voltaje apropiado y con el cableado correcto. Si tiene alguna duda, pida a un electricista acreditado que inspeccione el tomacorriente.
  - Hay una senda despejada entre la máquina y el tomacorriente, donde no hay nada que podría dañar el cable.
2. Inspeccione el tubo que va a roscar y los acoplamientos correspondientes, para confirmar que el accionamiento motorizado que ha seleccionado es la máquina apropiada para la tarea. Vea las *Especificaciones*. No use la máquina para roscar material que no sea lineal y recto.

Puede encontrar máquinas para otras aplicaciones en el catálogo de Ridge Tool, en línea en RIDGID.com o llame al Departamento de Servicio Técnico de Ridge Tool al 800-519-3456.

3. Asegure que se hayan inspeccionado correctamente los aparatos que usará.
4. Prepare el tubo adecuadamente, según sea necesario. Asegure que el corte del tubo sea recto y que esté desbarbado. Los tubos cortados en ángulo pueden dañar las terrajas durante el roscado o dificultar la conexión con el cabezal roscador.

### Montaje del cabezal roscador

5. Montaje de un cabezal roscador o adaptador para 1½" o 2" en la máquina 690-I:
  - a. Asegure que el interruptor ON/OFF no esté oprimido y que esté desenchufado el accionamiento motorizado.
  - b. Haga girar el aro impulsor hacia la izquierda para abrir la posición. Encaje a fondo el extremo ranurado del cabezal roscador o adaptador (si se necesita) en el accionamiento motorizado (*Figura 7*).
  - c. Suelte el aro impulsor y confirme que esté bien encajado el cabezal roscador o adaptador.
  - d. Para desmontar el cabezal roscador o adaptador, siga este procedimiento en orden inverso.



**Figura 7 – Aro impulsor en posición abierta o cerrada**



Figura 8 – Montaje del adaptador en la máquina 690-I

6. Montaje de un cabezal roscador de 1 1/4" o menos:
  - a. Asegure que el interruptor ON/OFF no esté oprimido y que esté desenchufado el accionamiento motorizado del tomacorriente.
  - b. Si se necesita el adaptador, colóquelo en la máquina 690-I (Figura 8).
  - c. En línea recta, inserte el extremo octagonal del cabezal roscador 11-R en el accionamiento motorizado, hasta que quede asegurado por el aro de sujeción. En la máquina 690-I, el cabezal roscador se puede insertar en cualquiera de los dos lados del accionamiento motorizado. Con la 690-I, el cabezal roscador se puede insertar solamente desde el lado correspondiente al adaptador.
  - d. Para extraer el cabezal roscador, jálalo del accionamiento motorizado. Si resulta necesario, use un martillo de maza blanda o un bloque de madera para sacar a golpecitos el cabezal roscador. No golpee directamente sobre el cabezal roscador porque podría dañarlo.



Figura 9 – Montaje de un cabezal roscador en un accionamiento motorizado 600-I

7. Coloque el interruptor corredizo F/R del accionamiento motorizado en posición de avance o de retroceso, según quiera una rosca a mano derecha o a mano izquierda. *Vea la Figura 10.*

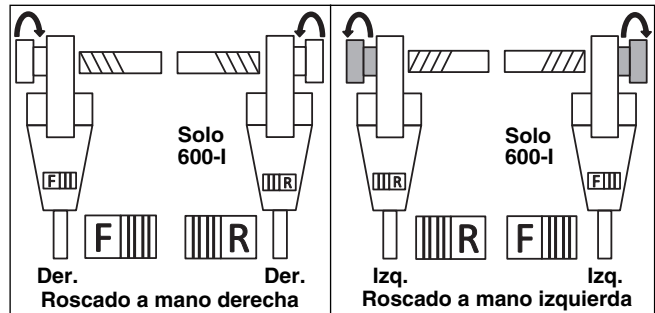


Figura 10 – Orientación del interruptor corredizo y el cabezal roscador

8. Asegure que el tubo que va a roscar esté bien sujeto y estable, para que no se vuelque durante el trabajo. Use soportes del tamaño adecuado para la longitud del tubo.
9. Revise el nivel del aceite de roscado de RIDGID en la aceitera 418 de RIDGID. Extraiga la bandeja de virutas y confirme que la malla del filtro esté limpia y completamente sumergida en el aceite. Reponga el aceite o agregue más aceite si fuera necesario. Coloque el cubo aceitero 418 debajo del extremo del tubo que se va a roscar.

### Resistencia a las fuerzas de roscado

Con el brazo de soporte suministrado:

- a. Siempre use el brazo de soporte suministrado (brazo de soporte 601 o 602 para la máquina 600-I, brazo de soporte 691 o 692 para la máquina 690-I), a no ser que no se pueda usar por falta de espacio o por alguna otra limitación. El brazo de soporte se fija al tubo con mordazas y ayuda a resistir las fuerzas de roscado.
- b. Coloque el brazo de soporte sobre el tubo de manera que el extremo del brazo esté alineado con el extremo del tubo, y la parte superior del soporte esté en posición horizontal (Figura 11). Esto coloca el brazo de soporte en la posición correcta para el roscado e impide que el aceite de roscado penetre en el motor (Figura 12).
- c. Asegure que las mordazas del brazo de soporte estén alineadas para que su contacto sea paralelo al eje del tubo. Apriete el brazo de soporte para fijarlo al tubo.



Figura 11A – Colocación del brazo de soporte en su posición

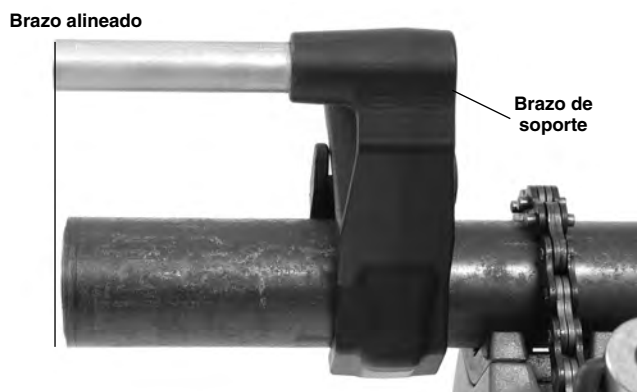


Figura 11B – Colocación del brazo de soporte en su posición



Figura 12 – Orientación correcta del accionamiento motorizado

Cuando no es posible usar el brazo de soporte:

Si es necesario roscar un tubo ya montado en su lugar o en situaciones semejantes, podría ser imposible usar el brazo de soporte porque no hay espacio suficiente.

- a. Si es posible, extraiga el tubo y use una prensa de tornillo para agarrar el tubo durante el roscado. Si esto no es posible, debe usar algún otro soporte para resistir las fuerzas de roscado. Por ejemplo, puede colocar la caja de engranajes o la caja del

ventilador del accionamiento motorizado contra un elemento estructural adyacente (por ejemplo, muros, vigas y viguetas de techo). Para hacer esto, el tubo y sus alrededores tienen que ser capaces de soportar el peso de la máquina y las fuerzas de roscado. Podría ser necesario agregar soportes o elementos estructurales temporarios o permanentes para sostener el tubo.

- b. Para el roscado a mano derecha, el cabezal roscador gira a la derecha (en el sentido de las manecillas del reloj si se está mirando el frente del cabezal roscador). Las fuerzas originadas por el par de torsión del roscado tienen una dirección opuesta, o sea, hacia la izquierda. Para el roscado a mano izquierda, cambian de sentido la rotación del cabezal y las fuerzas de roscado. Asegure que el soporte esté montado de manera que pueda absorber apropiadamente las fuerzas de roscado.
- c. No coloque el motor del accionamiento motorizado ni su mango contra elementos estructurales adyacentes para que opongan resistencia a las fuerzas de roscado, ya que esto puede dañar el accionamiento motorizado.
- d. Mantenga el accionamiento motorizado adosado al elemento estructural, sin colocar los dedos ni las manos entre el accionamiento motorizado y el elemento estructural de apoyo. Cuando haga el retroceso del cabezal roscador después de efectuar el roscado, agárrelo firmemente para resistir las fuerzas que fracturan las virutas de roscado. Esto reduce el riesgo de lesiones por golpes, aplastamiento u otras causas. Puede soltar el interruptor ON/OFF en cualquier momento para apagar el accionamiento motorizado.

Siempre agarre firmemente el accionamiento motorizado cuando haga el roscado o cuando haga el retroceso del cabezal para quitarlo del tubo, con el fin de resistir las fuerzas, aunque use un soporte. Esto reduce el riesgo de lesiones por golpes, aplastamiento u otras causas. Puede soltar el interruptor ON/OFF en cualquier momento para apagar el accionamiento motorizado.

## Roscado

10. Con las manos secas, enchufe el accionamiento motorizado.
11. Coloque el cabezal roscador sobre el extremo del tubo y apoye el accionamiento motorizado según se indica en la sección *Resistencia a las fuerzas de roscado*.



Figura 13 – Inicio del roscado

12. Al mismo tiempo, coloque el interruptor ON/OFF en posición de encendido y empuje contra la tapa del cabezal roscador con la palma de la mano contraria, para iniciar el roscado. No use guantes ni joyas, y no use un paño mientras presiona la tapa del cabezal. Esto aumenta el riesgo de enmarañarse y sufrir una lesión. Una vez que las terrajas hagan contacto con el tubo, se van cortando las roscas a medida que las terrajas se incrustan en el extremo del tubo.

Siempre agarre el mango del cabezal roscador con firmeza, para resistir las fuerzas transmitidas por el mango. Los soportes se pueden resbalar y permitir el desplazamiento del accionamiento motorizado. Puede soltar el interruptor ON/OFF en cualquier momento para apagar el accionamiento motorizado.

13. Deje de empujar la tapa del cabezal y use una aceitara para aplicar una cantidad abundante de aceite de corte RIDGID a la zona roscada. Esto reduce el par de torsión del roscado, mejora la calidad de las roscas y prolonga la vida útil de las terrajas.



Figura 14 – Roscado de un tubo

14. Oprima el interruptor ON/OFF hasta que el extremo del tubo esté al ras con el borde de las terrajas. Luego suelte el interruptor. Permita que el accionamiento motorizado se detenga por completo.



Figura 15 – El extremo del tubo está al ras con el borde de las terrajas

15. Coloque el interruptor F/R en posición de retroceso y oprima el interruptor ON/OFF para retraer el cabezal roscador del tubo roscado. Agarre con firmeza el mango del accionamiento motorizado para resistir las fuerzas generadas durante la retracción del cabezal roscador.

**AVISO** Cambie la posición del interruptor F/R solamente si ha soltado el interruptor ON/OFF. Permita que el accionamiento motorizado se detenga por completo antes de cambiar a retroceso mediante el interruptor corredizo F/R. Esto reduce el riesgo de dañar el accionamiento motorizado.

16. Suelte el interruptor y retire del tubo el accionamiento motorizado y el cabezal roscador.
17. Con las manos secas, desenchufe el accionamiento motorizado.
18. Con un paño, limpie las roscas y el cabezal roscador para quitar el aceite y residuos. Procure no cortarse con los residuos o bordes filosos. Limpie cualquier derrame de aceite que haya en el lugar de trabajo.

### Inspección de roscas

1. Quite el aceite, virutas o residuos de la rosca.
2. Haga la inspección visual de las roscas. Las roscas deben verse lisas, completas y bien formadas. Si se observan problemas tales como roscas rotas o delgadas, o el tubo está ovalado, es posible que la rosca no forme un sello hermético en una conexión. Consulte la tabla de “Resolución de problemas” para diagnosticar estas fallas.
3. Inspeccione el tamaño de la rosca. El método preferi-

do para revisar el tamaño de la rosca es mediante un calibrador anular. Hay calibradores anulares de diversos estilos; su uso puede ser diferente a lo que se muestra en la *Figura 16*.

- Enrosque el calibrador anular en la rosca y apriete la conexión con la mano.
- Observe el extremo del tubo y vea cuánto se asoma más allá del calibrador anular. El extremo del tubo debe quedar al ras con el borde del calibrador, más/menos una vuelta. Si la rosca no mide lo que corresponde, corte el tubo para eliminar la rosca, ajuste el cabezal roscador y corte otra rosca. El uso de una rosca que no cumple con la medición correcta puede causar fugas.

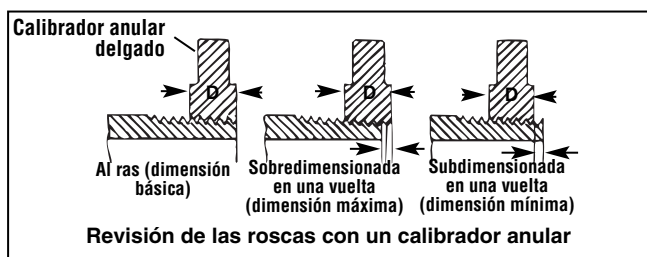


Figura 16 – Revisión del tamaño de la rosca

- Si no dispone de un calibrador anular para verificar el tamaño de la rosca, se puede usar en su lugar un acoplamiento limpio, nuevo y representativo de los que se están empleando en la obra. Para roscas NPT de 2 pulgadas o menos, el tubo debe labrarse para poder apretar la conexión con 4 a 5 vueltas a mano con el acoplamiento. Para roscas BSPT de 2 pulgadas o menos, la conexión se logra apretar con 3 vueltas a mano.

## Instrucciones de mantenimiento

### ⚠ ADVERTENCIA

**Antes de cualquier tarea de mantenimiento o de hacer ajustes, asegure que el interruptor ON/OFF no esté oprimido y que esté desenchufado el accionamiento motorizado.**

**Haga la mantención de la máquina de acuerdo con estos procedimientos para reducir el riesgo de lesiones por choque de electricidad, enmarañamiento y otras causas.**

### Limpeza

1. Después de cada uso, vacíe la bandeja de virutas de la aceitera 418 y con un paño quite los residuos de aceite.
2. Con un paño, limpie el accionamiento motorizado, incluyendo los mangos y controles, para quitarles el

aceite, grasa, virutas o suciedad. Limpie el mecanismo de retención del aparato 690-I.

3. Con un paño, limpie el brazo de soporte para quitarle el aceite, grasa o suciedad. Si fuera necesario, limpie las mordazas del brazo de soporte con un cepillo de alambre.
4. Elimine las virutas y suciedad del cabezal roscador.

## Reemplazo de terrajas en cabezales roscadores 11-R

Se dispone de toda una gama de terrajas para su colocación en cabezales roscadores 11-R de RIDGID. Vea su disponibilidad en el catálogo.

1. Extraiga los cuatro tornillos ④ de la tapa ② y quite la tapa.
2. Quite las terrajas usadas ③ del cabezal roscador.
3. Inserte terrajas nuevas en las ranuras, con el extremo que tiene el número orientado hacia arriba. El número en cada terraja debe corresponder al número en la ranura para terrajas. Siempre reemplace el conjunto de terrajas completo.

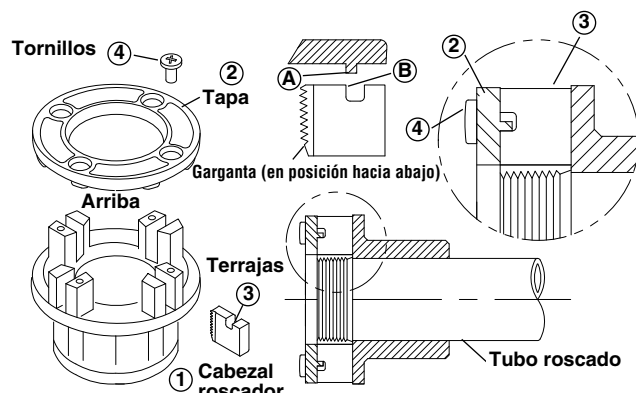


Figura 17 – Colocación de terrajas en el cabezal roscador

4. Vuelva a colocar la tapa y atornille los cuatro tornillos sin que queden demasiado apretados.
5. Coloque el cabezal roscador sobre tubo ya roscado hasta que las terrajas comiencen el roscado. Esto impulsa la ranura en las terrajas B hacia afuera y contra las orejetas A en la tapa, para fijar correctamente el tamaño de la rosca.
6. Apriete bien los cuatro tornillos. Extraiga el tubo roscado y haga un roscado de prueba.

## Reemplazo de cepillos en el motor

Revise los cepillos del motor cada 6 meses. Reemplace los cepillos cuando estén desgastados a menos de  $\frac{5}{16}$  pulgada (8 mm).



Figura 18 – Colocación del cepillo

1. Desenchufe la máquina del tomacorriente.
2. Desatornille las tapas de los cepillos (Figura 1 y Figura 2). Extraiga los cepillos e inspecciónelos. Reemplace los cepillos cuando estén desgastados a menos de  $\frac{5}{16}$  pulgada (8 mm). Inspeccione el conmutador para asegurar que no esté desgastado. Si está muy desgastado, la máquina debe enviarse a servicio técnico.
3. Vuelva a montar los cepillos o instale cepillos nuevos, y apriete bien las tapas de los cepillos.
4. La mejor práctica es encender el motor y dejarlo andando sin carga durante 15 minutos en posición de avance y luego dejarlo andando durante 15 minutos en posición de retroceso, para asentar los cepillos en el conmutador antes de usar la máquina.

## Accesorios

### ⚠ ADVERTENCIA

**Para reducir el riesgo de lesiones graves, use solamente accesorios específicamente diseñados y recomendados para los accionamientos motorizados 600-I y 690-I, tales como los que se nombran en la lista siguiente. El uso de otros accesorios apropiados para otras herramientas podría ser peligroso con los accionamientos motorizados 600-I y 690-I.**

### Accesorios de los accionamientos motorizados 600-I y 690-I

No. en el catálogo	Descripción
45923	Brazo de soporte 602
45928	Brazo de soporte 692
46668	Maletín de transporte 600-I
46673	Maletín de transporte 690-I
10883	Aceitera 418 con 1 galón de aceite Nu-Clear
16703	Prensa de tornillo TRISTAND 425 de $\frac{1}{8}$ " - $2\frac{1}{2}$ "
36273	Prensa de tornillo TRISTAND 460-6 de $\frac{1}{8}$ " - 6"

Puede encontrar información adicional sobre los accesorios específicos para esta herramienta en el catálogo RIDGID y en línea en RIDGID.com.

## Almacenamiento de la máquina

**⚠ ADVERTENCIA** Mantenga los accionamientos motorizados bajo techo o bien tapados para protegerlos de la lluvia. Guarde la máquina en un lugar bajo llave que esté fuera del alcance de niños o personas que no estén familiarizadas con las máquinas. Estas máquinas pueden causar graves lesiones en manos de usuarios no capacitados.

## Servicio y reparaciones

### ⚠ ADVERTENCIA

**La máquina se torna insegura cuando el servicio o la reparación se hacen en forma indebida.**

Las "Instrucciones de mantenimiento" abarcan la mayoría de los servicios que necesita esta máquina. Cualquier problema que no haya sido tratado en esta sección debe ser resuelto únicamente por un técnico autorizado de RIDGID.

La máquina debe llevarse a un Servicentro Autorizado Independiente de RIDGID o devuelta a la fábrica.

Si necesita información sobre su Servicentro Autorizado Independiente de RIDGID más cercano o si tiene preguntas sobre el servicio o reparación:

- Comuníquese con el distribuidor RIDGID® en su localidad.
- Visite RIDGID.com para averiguar dónde se encuentran los centros autorizados de RIDGID más cercanos.
- Comuníquese con el Departamento de Servicio Técnico de Ridge Tool en [rttechservices@emerson.com](mailto:rttechservices@emerson.com), o llame por teléfono desde EE. UU. o Canadá al (800) 519-3456.

## Aceite de corte

Para información sobre el uso y manejo del aceite de corte de RIDGID®, consulte las etiquetas en el recipiente y la Hoja de Seguridad de Materiales (MSDS). La hoja MSDS está disponible en RIDGID.com o puede solicitarla a través del Departamento de Servicio Técnico de Ridge Tool al (800) 519-3456 en EE. UU. y Canadá, o en [rttechservices@emerson.com](mailto:rttechservices@emerson.com).

## Eliminación de la máquina

Las piezas de los accionamientos motorizados contienen materiales valiosos y se pueden reciclar. Hay compañías locales que se especializan en el reciclaje. Deseche los componentes de acuerdo con todos los reglamentos correspondientes. Para más información sobre la eliminación de desechos, comuníquese con la agencia local de eliminación de residuos.



**Para los países de la Comunidad Europea:** ¡No deseche equipos eléctricos en la basura común!

De acuerdo con el Lineamiento Europeo 2012/19/EU para Desechos de Equipos Eléctricos y Electrónicos y su implementación en la legislación nacional, los equipos eléctricos inservibles deben desecharse por separado en una forma que cumpla con las normas del medio ambiente.

## Resolución de problemas

SÍNTOMA	POSIBLE RAZÓN	SOLUCIÓN
La máquina no anda.	Los cepillos no están en contacto con el inducido.	Revise los cepillos. Reemplácelos si están desgastados.
La máquina no es capaz de roscar.	Terrajas sin filo. Sobrecarga debido a roscas rotas u ovaladas. Aceite de corte de mala calidad o insuficiente. Voltaje insuficiente en la red.	Reemplace las terrajas. Vea las posibles razones a continuación. Use una cantidad suficiente de aceite de corte RIDGID®. Revise el voltaje de la electricidad suministrada.
Chispas en el conmutador del motor.	Contacto insuficiente entre los cepillos y el conmutador. Los cepillos no tienen un contacto adecuado con el conmutador. Cepillos de otro fabricante. Cepillos nuevos.	Apriete las tapas de los cepillos para asegurar que los cepillos estén bien presionados contra el conmutador. Reemplace los cepillos desgastados y/o el inducido. Use solamente cepillos RIDGID®. Haga andar el motor sin carga durante 15 minutos en posición de avance y 15 minutos en retroceso, para asentar los cepillos.
El cabezal roscador no inicia el roscado.	El cabezal roscador no está en ángulo recto con respecto al extremo del tubo. La fuerza para iniciar el contacto no se ejerce correctamente sobre el cabezal roscador. El extremo del tubo no está cortado en ángulo recto. Terrajas sin filo o desportilladas. La máquina está funcionando en sentido contrario. Las terrajas están mal encajadas en el cabezal roscador.	Presione sobre la tapa del cabezal roscador para iniciar el roscado. Aplique la fuerza para iniciar el contacto contra la línea central del tubo. Corte el extremo del tubo en ángulo recto. Reemplace las terrajas. Revise la posición del interruptor de avance/retroceso (F/R). Asegure que las terrajas estén orientadas hacia afuera contra las orejetas de la tapa.
Roscas rotas.	Terrajas dañadas, desportilladas o desgastadas. Aceite de corte incorrecto o insuficiente. Terrajas que no son adecuadas para el material. Tubo de material o calidad deficientes.	Reemplace las terrajas. Use solamente aceite de corte RIDGID® en una cantidad suficiente. Seleccione terrajas de alta velocidad, de acero inoxidable o de aleación, que sean apropiadas para la tarea. Use un tubo de mejor calidad.
Roscas ovaladas o aplastadas.	Pared del tubo demasiado delgada.	Emplee tubos de Serie 40 o de pared más gruesa.
El soporte gira durante el roscado.	Las mordazas del brazo de soporte están sucias. El brazo de soporte no está bien alineado. El brazo de soporte no está apretado.	Limpie las mordazas con un cepillo de alambre. Coloque el brazo del soporte para que forme un ángulo recto con el tubo. Apriete el tornillo de mano.
Roscas angostas.	Terrajas colocadas en el cabezal en orden equivocado.	Coloque las terrajas en las ranuras correctas en el cabezal roscador.







**RIDGID® 600-I/690-I Power Drives**

RIDGE TOOL COMPANY  
400 Clark Street  
Elyria, Ohio 44035-6001  
U.S.A.

Ridge Tool Europe NV (RIDGID)  
Schurhovenveld 4820  
3800 Sint-Truiden  
Belgium

**EC DECLARATION OF CONFORMITY**

We declare that the machines listed above, when used in accordance with the operator's manual, meet the relevant requirements of the Directives and Standards listed below.

**DÉCLARATION DE CONFORMITÉ CE**

Nous déclarons que lorsqu'elles sont utilisées selon leur mode d'emploi, les machines indiquées ci-dessus répondent aux exigences applicables des directives et normes ci-après.

**DECLARACIÓN DE CONFORMIDAD DE LA CE**

Declaramos que las máquinas listadas más arriba, cuando se usan conforme al manual del operario, cumplen con los requisitos pertinentes de las directrices y normas listadas a continuación.

**PROHLÁŠENÍ O SHODĚ ES**

Prohlašujeme, že výše uvedené nástroje a zařízení splňují při použití v souladu s jejich návodem k obsluze příslušné požadavky níže uvedených směrnic a nařízení.

**EF-OVERENSSTEMMELSESERKLÆRING**

Vi erklærer, at de ovenfor anførte maskiner, ved brug i overensstemmelse med brugervejledningen, opfylder de relevante krav i de nedenfor anførte direktiver og standarder.

**EG KONFORMITÄTSESKLÄRUNG**

Wir erklären, dass die oben aufgeführten Maschinen, wenn sie entsprechend der Bedienungsanleitung verwendet werden, die einschlägigen Anforderungen der folgenden Richtlinien und Normen erfüllen.

**ΔΗΛΩΣΗ ΣΥΜΜΟΡΦΩΣΗΣ ΕΚ**

Δηλώνουμε ότι τα μηχανήματα που αναφέρονται παραπάνω, όταν χρησιμοποιούνται σύμφωνα με το εγχειρίδιο χειρισμού, πληρούν τις σχετικές απαιτήσεις των παρακάτω Οδηγιών και Προτύπων.

**EY-VAATIMUSTENMUKAISUUSVAKUUTUS**

Vakuutamme, että edellä luetellut koneet täyttävät käyttöohjekirjan mukaisesti käytettynä seuraavien direktiivien ja standardien vaatimukset.

**EU IZJAVA O SUKLADNOSTI**

Izjavljujemo da su gore navedeni strojevi, kada se koriste u skladu s priručnikom za korisnike, sukladni s relevantnim zahtjevima dolje navedenih direktiva i standarda.

**EK MEGFELELŐSÉGI NYILATKOZAT**

Kijelentjük, hogy a fent felsorolt gépek - amennyiben a kezelési útmutatónak megfelelően használják őket - megfelelnek az alább felsorolt irányelvek és Szabványok követelményeinek.

**DICHIARAZIONE DI CONFORMITÀ CE**

Dichiariamo che le macchine elencate in alto, se utilizzate in conformità con il manuale dell'operatore, soddisfano i relativi requisiti delle Direttive e degli Standard specificati di seguito.

**EO СӘЙКЕСТІК МӘЛІМДЕМЕСІ**

Біз жоғарыда көрсетілген құрылғылардың пайдаланушы нұсқаулығына сәйкес пайдаланылған жағдайда төменде көрсетілген Директивалар мен Стандарттардың тиісті талаптарына жауап беретінін мәлімдейміз.

**EG-CONFORMITEITSVERKLARING**

Hierbij verklaren wij dat de hierboven vermelde machines, mits gebruikt in overeenstemming met de handleiding, voldoen aan de relevante eisen van de hieronder vermelde richtlijnen en normen.

**CE-SAMSVARERKLÆRING**

Vi erklærer at maskinene oppført over oppfyller de relevante kravene i direktiver og standarder oppført under dersom de brukes i henhold til bruksanvisningen.

**DEKLARACJA ZGODNOŚCI WE**

Deklarujemy, że maszyny wymienione powyżej, gdy są używane zgodnie z podręcznikiem użytkownika, spełniają właściwe wymagania Dyrektyw i Standardów, wymienione poniżej.

**DECLARAÇÃO DE CONFORMIDADE CE**

Declaramos que as máquinas listadas acima, quando utilizadas de acordo com o manual do operador, cumprem os requisitos relevantes das Diretivas e Normas listadas abaixo.

**DECLARAȚIE DE CONFORMITATE CE**

Declarăm că mașina specificată mai jos, atunci când este utilizată în conformitate cu manualul de exploatare, îndeplinește cerințele relevante ale Directivelor și standardelor specificate mai jos.

**ДЕКЛАРАЦИЯ СООТВЕТСТВИЯ ЕС**

Мы заявляем, что инструменты, перечисленные выше, при условии использования согласно руководству по эксплуатации, отвечают соответствующим требованиям указанных ниже директив и стандартов.

**ES PREHLÁŠENIE O ZHODE**

Vyhlasujeme, že stroje uvedené vyššie spĺňajú relevantné požiadavky smerníc a noriem uvedených nižšie, ak sa používajú podľa návodu na použitie.

**IZJAVA ES O SKLADNOSTI**

Izjavljamo, da goraj omenjeni stroji, ko se uporabljajo skladno z uporabniškim priručnikom, izpolnjujejo relevantne zahteve spodaj omenjenih direktiv in standardov.

**EC DEKLARACIJA O USAGLAŠENOSTI**

Izjavljujemo da gore navedeni strojevi, ako se koriste u skladu s priručnikom za korisnike, zadovoljavaju relevantne zahteve direktiva i standarda koji se navode dole.

**EG-FÖRSÄKRAN OM ÖVERENSSTÄMMELSE**

Vi meddelar att maskinen som anges ovan uppfyller de aktuella kraven i de angivna direktiven och standarderna nedan när den används enligt bruksanvisningen.

**AB UYGUNLUK BEYANI**

Yukarıda listelenen makinelerin, kullanıcı kılavuzuna göre kullanıldığında, aşağıda listelenen Direktiflerin ve Standartların ilgili gereksinimlerini karşıladığını beyan ederiz.

**EÜ VASTAVUSDEKLARATSIOON**

Kinnitame, et eelpool loetletud masinad vastavad allpool loetletud direktiivide ja standardite asjakohastele nõuetele, kui neid kasutatakse vastavalt kasutusjuhendile.

**EK ATBILSTĪBAS DEKLARĀCIJA**

Mēs apliecinām, ka iepriekšminētās iekārtas, izmantojot tās saskaņā ar operatora rokasgrāmatu, atbilst attiecīgajām tālāk norādīto direktīvu un standartu prasībām.

**DEARBHÚ COMHRÉIREACHTA AN CE**

Fógraímid go bhfuil na hinnill sa liosta thuas i gcomhréir le riachtanais ábhartha na dTeoracha agus na gCaighdeán sa liosta thíos, ach iad a úsáid de réir an lámhleabhair don oibreoir.

**EB ATITIKTIES DEKLARACIJA**

Deklaruojame, kad pirmiau išvardytos mašinos, jei naudojamos pagal naudotojų vadovą, atitinka atitinkamus toliau išvardytą direktivų ir standartų reikalavimus.

**EO ДЕКЛАРАЦИЯ ЗА СЪОТВЕТСТВИЕ**

Декларираме, че изброените по-горе машини, когато се използват в съответствие с Ръководство за оператора, отговарят на съответните изисквания на директивите и стандартите, изброени по-долу.



2006/42/EC, 2014/35/EU, 2014/30/EU, 2011/65/EU  
EN 62841-1/-2-9, EN 55014-1/-2, EN 61000-3-2/-3-3



Signature: *Harald Krondorfer*  
Name: Harald Krondorfer  
Qualification: V.P. Engineering  
Date: 09/11/2017

**What is covered**

RIDGID® tools are warranted to be free of defects in workmanship and material.

**How long coverage lasts**

This warranty lasts for the lifetime of the RIDGID® tool. Warranty coverage ends when the product becomes unusable for reasons other than defects in workmanship or material.

**How you can get service**

To obtain the benefit of this warranty, deliver via prepaid transportation the complete product to RIDGE TOOL COMPANY, Elyria, Ohio, or any authorized RIDGID® INDEPENDENT SERVICE CENTER. Pipe wrenches and other hand tools should be returned to the place of purchase.

**What we will do to correct problems**

Warranted products will be repaired or replaced, at RIDGE TOOL'S option, and returned at no charge; or, if after three attempts to repair or replace during the warranty period the product is still defective, you can elect to receive a full refund of your purchase price.

**What is not covered**

Failures due to misuse, abuse or normal wear and tear are not covered by this warranty. RIDGE TOOL shall not be responsible for any incidental or consequential damages.

**How local law relates to the warranty**

Some states do not allow the exclusion or limitation of incidental or consequential damages, so the above limitation or exclusion may not apply to you. This warranty gives you specific rights, and you may also have other rights, which vary, from state to state, province to province, or country to country.

**No other express warranty applies**

This FULL LIFETIME WARRANTY is the sole and exclusive warranty for RIDGID® products. No employee, agent, dealer, or other person is authorized to alter this warranty or make any other warranty on behalf of the RIDGE TOOL COMPANY.



FULL LIFETIME WARRANTY (garantie légale étendue à la durée de vie du produit, voir conditions de garantie / legal warranty extended to the product lifecycle, see warranty conditions)

**Parts are available online at [Store.RIDGID.com](http://Store.RIDGID.com)**

**Ridge Tool Company**

400 Clark Street

Elyria, Ohio 44035-6001

U.S.A.

**Ce qui est couvert**

Les outils RIDGID® sont garantis contre tous vices de matériaux et de main d'oeuvre.

**Durée de couverture**

Cette garantie est applicable durant la vie entière de l'outil RIDGID®. La couverture cesse dès lors que le produit devient inutilisable pour raisons autres que des vices de matériaux ou de main d'oeuvre.

**Pour invoquer la garantie**

Pour toutes réparations au titre de la garantie, il convient d'expédier le produit complet en port payé à la RIDGE TOOL COMPANY, Elyria, Ohio, ou bien le remettre à un réparateur RIDGID® agréé. Les clés à pipe et autres outils à main doivent être ramenés au lieu d'achat.

**Ce que nous ferons pour résoudre le problème**

Les produits sous garantie seront à la discrétion de RIDGE TOOL, soit réparés ou remplacés, puis réexpédiés gratuitement ; ou si, après trois tentatives de réparation ou de remplacement durant la période de validité de la garantie le produit s'avère toujours défectueux, vous aurez l'option de demander le remboursement intégral de son prix d'achat.

**Ce qui n'est pas couvert**

Les défaillances dues au mauvais emploi, à l'abus ou à l'usure normale ne sont pas couvertes par cette garantie. RIDGE TOOL ne sera tenue responsable d'aucuns dommages directs ou indirects.

**L'influence de la législation locale sur la garantie**

Puisque certaines législations locales interdisent l'exclusion des dommages directs ou indirects, il se peut que la limitation ou exclusion ci-dessus ne vous soit pas applicable. Cette garantie vous donne des droits spécifiques qui peuvent être éventuellement complétés par d'autres droits prévus par votre législation locale.

**Il n'existe aucune autre garantie expresse**

Cette GARANTIE PERPETUELLE INTEGRALE est la seule et unique garantie couvrant les produits RIDGID®. Aucun employé, agent, distributeur ou tiers n'est autorisé à modifier cette garantie ou à offrir une garantie supplémentaire au nom de la RIDGE TOOL COMPANY.

**Qué cubre**

Las herramientas RIDGID® están garantizadas contra defectos de la mano de obra y de los materiales empleados en su fabricación.

**Duración de la cobertura**

Esta garantía cubre a la herramienta RIDGID® durante toda su vida útil. La cobertura de la garantía caduca cuando el producto se torna inservible por razones distintas a las de defectos en la mano de obra o en los materiales.

**Cómo obtener servicio**

Para obtener los beneficios de esta garantía, envíe mediante porte pagado, la totalidad del producto a RIDGE TOOL COMPANY, en Elyria, Ohio, o a cualquier Servicentro Independiente RIDGID®. Las llaves para tubos y demás herramientas de mano deben devolverse a la tienda donde se adquirieron.

**Lo que hacemos para corregir el problema**

El producto bajo garantía será reparado o reemplazado por otro, a discreción de RIDGE TOOL, y devuelto sin costo; o, si aún resulta defectuoso después de haber sido reparado o sustituido tres veces durante el período de su garantía, Ud. puede optar por recibir un reembolso por el valor total de su compra.

**Lo que no está cubierto**

Esta garantía no cubre fallas debido al mal uso, abuso o desgaste normal. RIDGE TOOL no se hace responsable de daño incidental o consiguiente alguno.

**Relación entre la garantía y las leyes locales**

Algunos estados de los EE.UU. no permiten la exclusión o restricción referente a daños incidentales o consiguientes. Por lo tanto, puede que la limitación o restricción mencionada anteriormente no rija para Ud. Esta garantía le otorga derechos específicos, y puede que, además, Ud tenga otros derechos, los cuales varían de estado a estado, provincia a provincia o país a país.

**No rige ninguna otra garantía expresa**

Esta GARANTIA VITALICIA es la única y exclusiva garantía para los productos RIDGID®. Ningún empleado, agente, distribuidor u otra persona está autorizado para modificar esta garantía u ofrecer cualquier otra garantía en nombre de RIDGE TOOL COMPANY.