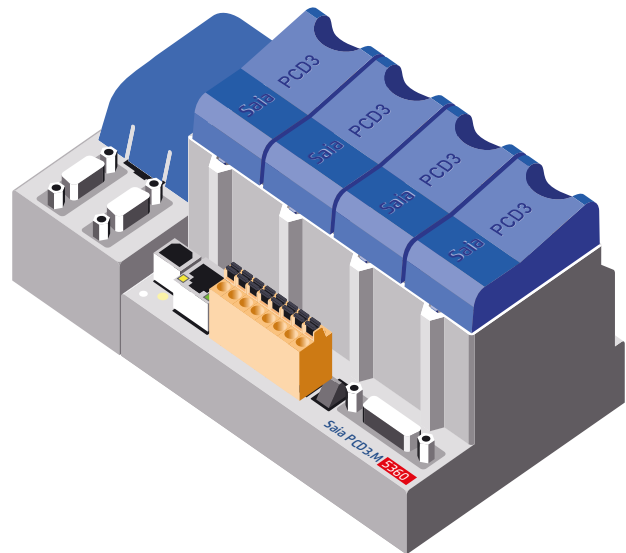


Saia PCD3.M5360 – Ethernet Controller with integral RS-232, RS-422 / 485 interfaces



By the combination of a fast microprocessor generation with the component-based Saia PCD® COSinus operating system, the Saia PCD3 controller sets highest benchmarks at functionality and performance.

Latest CPU technology

- Sustainable processor technology with:
 - 2 Mbytes flash as program memory,
 - 1 Mbytes RAM as user memory, DB/texte,
 - 128 Mbytes Flash memory, (S-RIO, configuration and backup),
 - 128 Mbytes flash file system (INTFLASH).
- Combined with the Saia PCD® COSinus operating system, it is a simply packed, low-priced PLC of the middle class with a very high performance.
- USB, RS-232, RS- 422/RS-485, RS-485 and Industrial Ethernet interface in the base unit. Integral Web server.

Maximum peripheral connections

- Up to 1023 central inputs/outputs with expansion module holder
- More than 50 I/O modules in cassette form (PCD3.Axxx/ .Exxx/ .Wxxx/ .Bxxx/ .Hxxx)
- Additional remote inputs/outputs with PCD3.T66x (Ethernet) and PCD3 I/O modules

Efficient SBC programming tools Saia PG5® Controls Suite

For more details see TI PP26-362 – or better download the software demo version under

www.sbc-support.com/en/product-index/pg5-controls-suite

- PG5 from SBC with integral HMI Editor and comprehensive application components make programming convenient and efficient

General technical data / Operating conditions

Power supply

Supply voltage (in accordance with EN/IEC 131-2)	24 VDC, -20/+25% max. incl. 5% ripple or 19 VAC ±15% two-way rectified (18 VDC)
Power consumption	typically 15 W for 64 I/Os
Load-carrying ability 5 V / 24 V internal	max. 600 mA / 100 mA
Short voltage interruption (according EN / IEC 61 131-2)	≤ 10 ms with interval ≥ 1 s
Watchdog relay closing contact	48 VAC or VDC ¹⁾ , 1 A

Environmental influences

Storage temperature (according EN / IEC 61 131-2)	-25...+70 °C
Ambient temperature operating (according EN / IEC 61 131-2)	0...+55 °C ²⁾ or 0...+40 °C (depending on mounting situation)
Relative air humidity (according EN / IEC 61 131-2)	10...95 % r.h., non condensing

Mechanical data

Type of mounting	Top-hat rail according to DIN EN 60 715 TH35 (formerly DIN EN 50 022) (1 × 35 mm)
Protection level	IP 20
Flame resistance	UL 94 V0
Vibration (according EN / IEC 61 131-2)	3.5 mm / 1.0 g sinusoidally
Shock (according EN / IEC 61 131-2)	15 g / 11 ms sinus half wave

¹⁾ mount a free-wheeling diode over the load when switching DC tension

²⁾ when assembling on vertical surface, all other mounting methods 0...40 °C

Communication interfaces

Port #0 RS-232 / PGU		RS-422		Port #3 RS-485	
D-Sub Pin	Signal	Signal	Signification	Signal	Signification
1	DCD	/RXD	Receive data -		
2	RXD	/CTS	Clear to send -		
3	TXD	/TXD	Transmit data -	/RXD - /TxD	Receive / Transmit
4	DTR	/RTS	Request to send -		
5	GND	DGND	Data ground	DGND	Data ground
6	DSR	RXD	Receive data +		
7	RTS	CTS	Clear to send +		
8	CTS	TXD	Transmit data +	RxD - TxD	Receive / Transmit
9	nc	RTS	Request to send +		
		PGND	Shield (10, 11*)	PGND	Protection Ground

Port #0

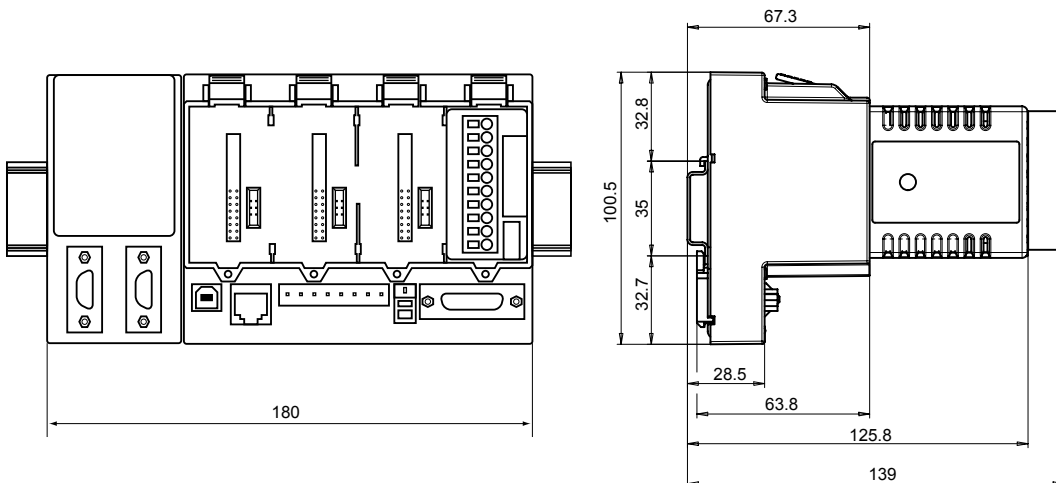
Port #3

*) Screw terminals of D-Sub connector housing

The PCD3.M5360 provides a RS-422/485 interface. This CPU has the same functions as PCD3.M5560 except that the S-Net/MPI is replaced by RS-422/485 interface up to 115 Kbit/s (compatible to PCDx.F110S, but the termination network is configured through the PG5 "Hardware settings" option).

Port #2 may be used as standard RS-422/485 port or Profi-S-Net up to 187.5 Kbit/s is available on port #2. This document only specifies differences. Please refer to PCD3 Hardware manual 26-789 for common features.

Dimension Drawing



Ordering information

Type	Description	Weight
	CPU base units for 4 plug-in I/O modules	
PCD3.M5360	PCD3 processor unit with Ethernet TCP/IP, web and FTP server, file system, CPU with 2 MByte user program, 128 MByte user Flash memory with file system, clock (RTC), USB port for PG5, up to 1024 I/O, 2 interrupt inputs, RS-232, RS-422/485, RS-485 for Profi-S-Net/S-Bus, data protection 1-3 years	800 g

Saia-Burgess Controls AG

Bahnhofstrasse 18 | 3280 Murten, Switzerland
T +41 26 580 30 00 | F +41 26 580 34 99
www.saia-pcd.com

support@saia-pcd.com | www.sbc-support.com