

MRS Series

80 mm

140 mm – 47 mm Thick

92 mm

104 mm

119 mm

140 mm

160 mm

180 mm

200 mm

250 mm



With Alarm

Operating Voltage Range: ±10% (Applies to each voltage)

Materials

Frame: Die cast aluminum

Blades: Polycarbonate (Flammability classification V-0)

Overheat Protection: Built-in thermal protector

Bearings: Ball bearings

Specifications (RoHS)



Product Name		Voltage VAC	Frequency Hz	Current A	Input W	Speed r/min	Maximum Air Flow m <sup>3</sup> /min	Maximum Static Pressure Pa	Noise Level dB (A)
No-Alarm Type	Low-Speed Alarm, Electronic Alarm Type <Alarm Specifications: ①>								
<b>MRS14-TUL</b>	<b>MRS14-TTM</b>	Three-Phase 200	50	0.08	14	2600	4.5	92	48
		Three-Phase 200	60	0.09	17	2650	4.6	81	49
		Three-Phase 220	60	0.09	19	2900	5.0	107	51
		Three-Phase 230	60	0.09	20	2950	5.0	109	51

● Alarm specifications ① → Page G-19

● Safety standards → Page I-2

Product Line

Fans

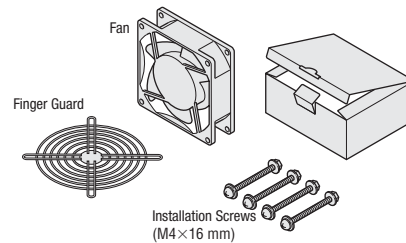
Product Name
<b>MRS14-TUL</b>
<b>MRS14-TTM</b>

The following items are included in each product.  
Fan, Operating Manual

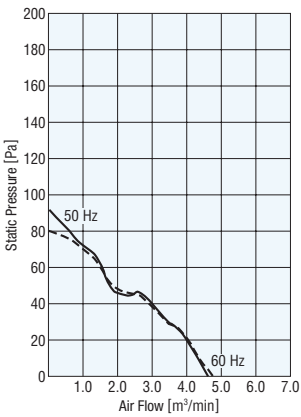
Fan Kit Products

Product Name
<b>T-MRS14-TUL-G</b>
<b>T-MRS14-TTM-G</b>

The following items are included in each kit.



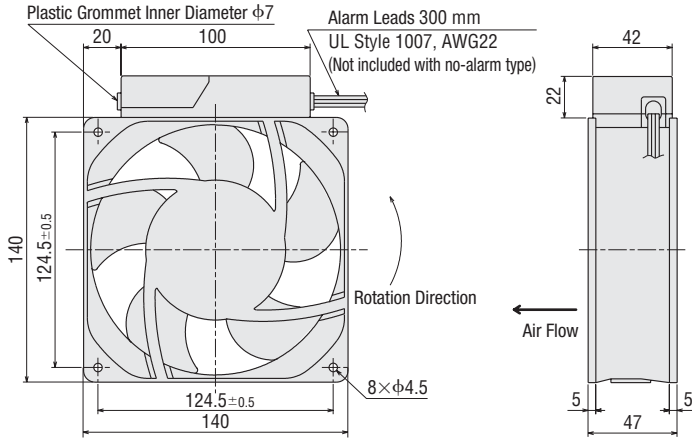
Air Flow – Static Pressure Characteristics (The characteristics are applicable for the fan only.)



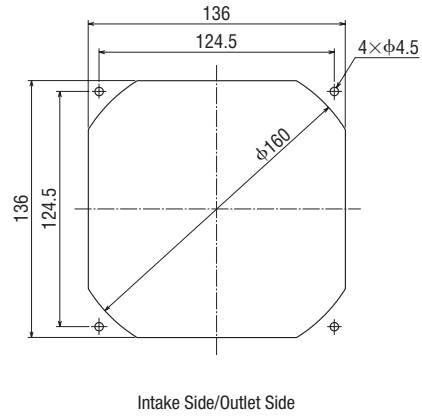
## Dimensions (Unit mm)

Mass: 0.9 kg

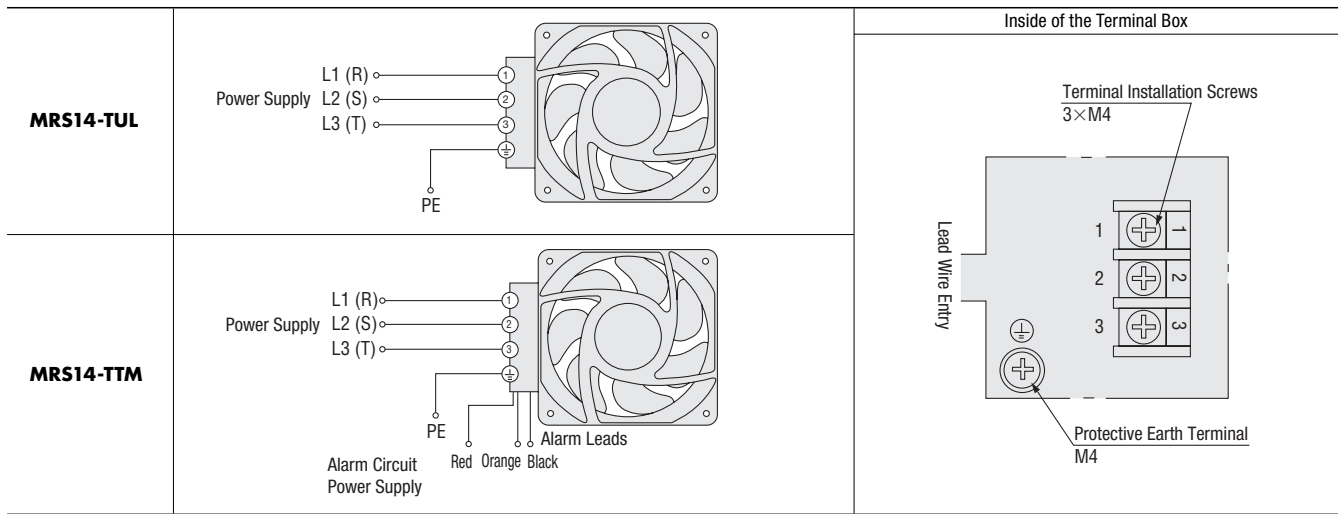
CAD E004



## Panel Cut-Out (Unit mm)



## Connection Diagrams



## Accessories

Product	Product Name	Reference Page
Finger Guard	<b>FG14D</b>	G-146
Filter	<b>FL14</b>	G-149
Metallic Filter	<b>FLW14</b>	G-149

Overview,  
Product  
Series

Axial Flow  
Fans

AC Input  
**MU**

AC Input  
**MRS**

AC Input  
Long-Life  
**MRE**

DC Input  
**MDS**  
**MD**

DC Input  
Low-Speed  
Alarm  
**MDA**

DC Input  
Long-Life  
**MDE**

Centrifugal  
Blowers

AC Input  
**MB**  
DC Input  
**MBD**

Cross Flow  
Fans

AC Input  
**MF**  
DC Input  
**MFD**

Cooling  
Modules

Thermostat

Accessories

Installation

MRS Series

160 mm – 62 mm Thick



With Alarm

Operating Voltage Range: ±10% (Applies to each voltage)

Materials

Frame: Die cast aluminum

Blades: Polycarbonate (Flammability classification V-0)

Overheat Protection: Built-in thermal protector

Bearings: Ball bearings

Specifications (RoHS)

No Alarm Type: / Alarm Type:

Product Name		Voltage	Frequency	Current	Input	Speed	Maximum Air Flow	Maximum Static Pressure	Noise Level	Capacitor
No-Alarm Type	Low-Speed Alarm Contact Alarm Type (Normal Operation: Contact ON) <Alarm Specifications: ⑦>									
		VAC	Hz	A	W	r/min	m <sup>3</sup> /min	Pa	dB (A)	μF
<b>MRS16-BUL</b>	<b>MRS16-BB</b>	Single-Phase 100	50	0.47	39	2800	6.2	127	49	3.0
		Single-Phase 100	60	0.46	41	3250	7.3	157	52	
		Single-Phase 110	60	0.48	48	3300	7.3	157	53	
		Single-Phase 115	60	0.49	51	3300	7.3	157	53	
<b>MRS16-DUL</b>	<b>MRS16-DB</b>	Single-Phase 200	50	0.24	39	2800	6.2	127	49	3.0
		Single-Phase 200	60	0.24	41	3250	7.3	157	52	
		Single-Phase 230	60	0.25	51	3300	7.3	157	53	
<b>MRS16-E</b>	<b>MRS16-EB</b>	Single-Phase 220	50	0.20	38	2800	6.2	127	49	3.0
		Single-Phase 220	60	0.21	40	3250	7.3	157	53	
		Single-Phase 230	50	0.21	42	2800	6.2	127	49	
		Single-Phase 230	60	0.21	42	3300	7.3	157	54	
<b>MRS16-TUL</b>	<b>MRS16-TB</b>	Three-Phase 200	50	0.19	33	2800	6.2	127	49	-
		Three-Phase 200	60	0.17	37	3250	7.3	157	52	
		Three-Phase 220	60	0.18	41	3300	7.3	157	53	
		Three-Phase 230	60	0.18	43	3300	7.3	157	53	

● Alarm specifications ⑦ → Page G-20

● Safety standards → Page I-2

Product Line

Fans

Product Name
<b>MRS16-BUL</b>
<b>MRS16-DUL</b>
<b>MRS16-E</b>
<b>MRS16-TUL</b>
<b>MRS16-BB</b>
<b>MRS16-DB</b>
<b>MRS16-EB</b>
<b>MRS16-TB</b>

The following items are included in each product.

● **MRS16-□UL, MRS16-E**

Fan, Operating Manual

● **MRS16-□B**

Fan, Capacitor\*, Capacitor Cap\*,

Operating Manual

\*Single-Phase Fans Only

Fan Kit Products

◇ With finger guard

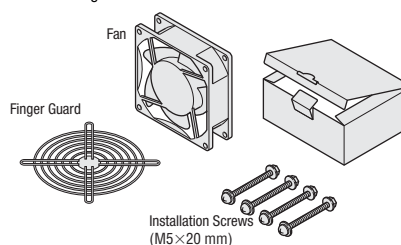
Product Name
<b>T-MRS16-BUL-G</b>
<b>T-MRS16-DUL-G</b>
<b>T-MRS16-E-G</b>
<b>T-MRS16-TUL-G</b>
<b>T-MRS16-BB-G</b>
<b>T-MRS16-DB-G</b>
<b>T-MRS16-EB-G</b>
<b>T-MRS16-TB-G</b>

Fan Kit Products

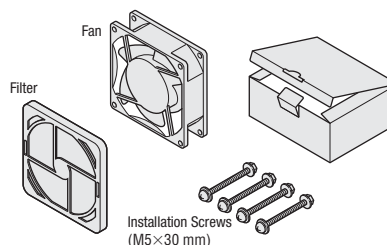
◇ With Filter

Product Name
<b>T-MRS16-BUL-F</b>
<b>T-MRS16-DUL-F</b>
<b>T-MRS16-E-F</b>
<b>T-MRS16-TUL-F</b>
<b>T-MRS16-BB-F</b>
<b>T-MRS16-DB-F</b>
<b>T-MRS16-EB-F</b>
<b>T-MRS16-TB-F</b>

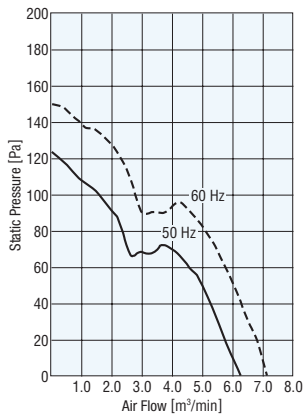
The following items are included in each kit.



The following items are included in each kit.

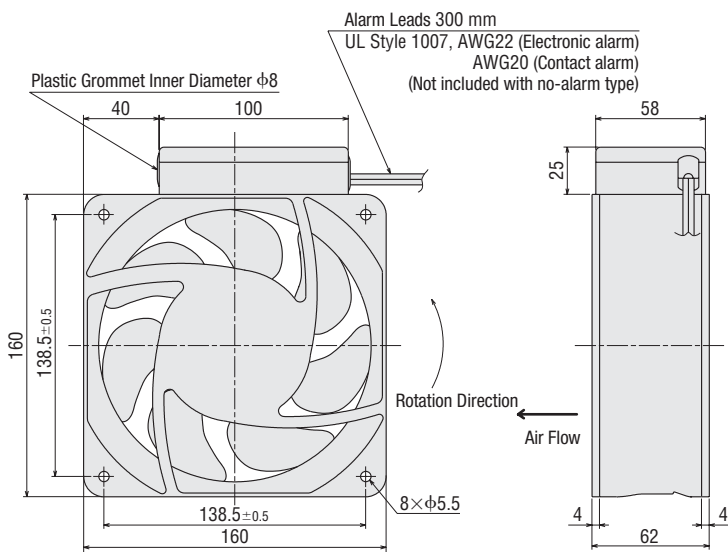


## Air Flow – Static Pressure Characteristics (The characteristics are applicable for the fan only.)



## Dimensions (Unit mm)

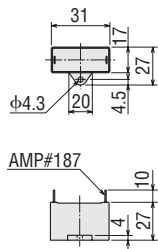
Mass: 1.35 kg  
CAD E003



### Capacitor (Included)

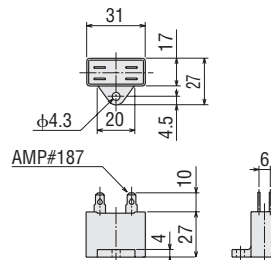
◇ Capacitor for **MRS16-BB, MRS16-DB**  
CH30UL

Mass: 23 g  
(A capacitor and capacitor cap are included in single-phase alarm type fans.)

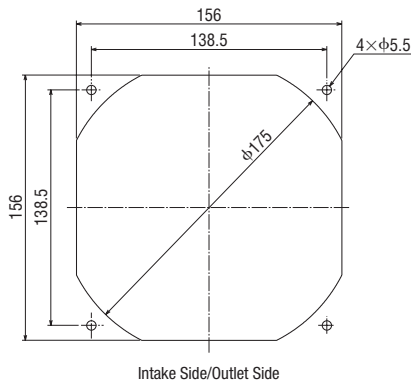


◇ Capacitor for **MRS16-EB**

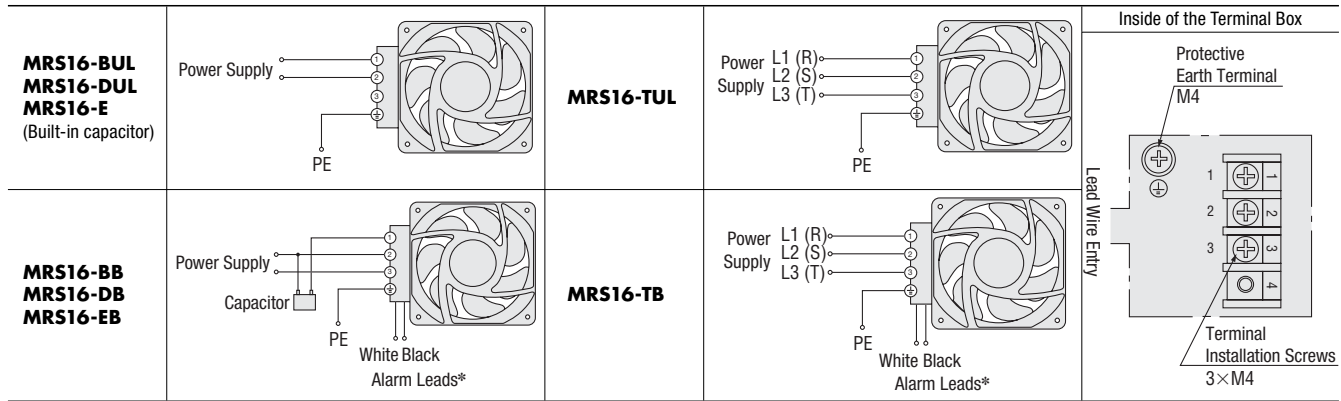
CH30FAUL2  
Mass: 22 g  
(A capacitor and capacitor cap are included in single-phase alarm type fans.)



## Panel Cut-Out (Unit mm)



## Connection Diagrams



\*No alarm type does not have alarm lead wires.  
● How to connect a capacitor → Page G-159

## Accessories

Product	Product Name	Reference Page
Finger Guard	<b>FG16D</b>	G-146
Filter	<b>FL16</b>	G-149

## Thermostat

It automatically performs ON and OFF fan control in accordance with the temperature fluctuation inside the equipment. It helps improve the equipment's "environmental" performance relative to energy savings, noise reduction, etc.



**RoHS**

Thermostat **AM1-XA1**

● Reference page → Page G-141

### Details of Low-Speed Alarm Type

For details of the **MRS** Series with Low-Speed Alarms, check the Oriental Motor website or contact the Oriental Motor sales office.

Low-Speed Alarm Specification	Product Name
Contact Alarm Type (Normal Operation: Contact OFF)	<b>MRS16-BTA, MRS16-DTA, MRS16-TTA</b>
Electronic Alarm Type	<b>MRS16-BTM</b>
	<b>MRS16-DTM, MRS16-ETM, MRS16-TTM</b>

## MRS Series

180 mm – 90 mm Thick



Terminal Block

### With Alarm

Operating Voltage Range:  $\pm 10\%$  (Applies to each voltage)

#### Materials

Frame: Die cast aluminum

Blades: Polycarbonate (Flammability classification V-0)

Overheat Protection: Built-in thermal protector

Bearings: Ball bearings

Overview,  
Product  
Series

Axial Flow  
Fans

AC Input  
MU

AC Input  
MRS

AC Input  
Long-Life  
MRE

DC Input  
MDS  
MD

DC Input  
Low-Speed  
Alarm  
MDA

DC Input  
Long-Life  
MDE

Centrifugal  
Blowers

AC Input  
MB  
DC Input  
MBD

Cross Flow  
Fans

AC Input  
MF  
DC Input  
MFD

Cooling  
Modules

Thermostat

Accessories

Installation

## Specifications (RoHS)

No Alarm Type: / Alarm Type:

Product Name			Voltage VAC	Frequency Hz	Current A	Input W	Speed r/min	Maximum Air Flow m <sup>3</sup> /min	Maximum Static Pressure Pa	Noise Level dB (A)	Capacitor $\mu$ F
Additional Function	Terminal Block	With Extension Cable									
No-Alarm Type	<b>MRS18-BUL</b>	<b>MRS18-BH</b>	Single-Phase 100	50	0.8	54.5	2850	11.0	196	56	6.0
			Single-Phase 100	60	1.0	76	3300	12.8	245	60	
			Single-Phase 110	60	1.0	81	3350	12.8	245	61	
			Single-Phase 115	60	1.0	84	3350	12.8	245	61	
	<b>MRS18-DUL</b>	<b>MRS18-DH</b>	Single-Phase 200	50	0.4	54.5	2850	11.0	196	56	6.0
			Single-Phase 200	60	0.5	70	3300	12.8	245	60	
			Single-Phase 230	60	0.5	77	3350	12.8	245	61	
	<b>MRS18-E</b>	<b>MRS18-EH</b>	Single-Phase 220	50	0.4	53	2850	11.0	196	56	6.0
			Single-Phase 220	60	0.5	70	3300	12.5	245	60	
			Single-Phase 230	50	0.4	57	2850	11.0	196	56	
			Single-Phase 230	60	0.5	73	3350	12.5	245	60	
	<b>MRS18-TUL</b>	<b>MRS18-TH</b>	Three-Phase 200	50	0.4	52	2850	11.0	196	56	-
			Three-Phase 200	60	0.4	70	3300	12.8	245	60	
			Three-Phase 220	60	0.4	74	3350	12.8	245	61	
			Three-Phase 230	60	0.4	76	3350	12.8	245	61	
	Low-speed Alarm, Contact Alarm Type (Normal Operation: Contact ON) <Alarm Specifications: ⑦>	<b>MRS18-BB</b>	<b>MRS18-BBH</b>	Single-Phase 100	50	0.8	54.5	2850	11.0	196	56
Single-Phase 100				60	1.0	76	3300	12.8	245	60	
Single-Phase 110				60	1.0	81	3350	12.8	245	61	
Single-Phase 115				60	1.0	84	3350	12.8	245	61	
<b>MRS18-DB</b>		<b>MRS18-DBH</b>	Single-Phase 200	50	0.4	54.5	2850	11.0	196	56	6.0
			Single-Phase 200	60	0.5	70	3300	12.8	245	60	
			Single-Phase 230	60	0.5	77	3350	12.8	245	61	
<b>MRS18-EB</b>		<b>MRS18-EBH</b>	Single-Phase 220	50	0.4	53	2850	11.0	196	56	6.0
			Single-Phase 220	60	0.5	70	3300	12.5	245	60	
			Single-Phase 230	50	0.4	57	2850	11.0	196	56	
			Single-Phase 230	60	0.5	73	3350	12.5	245	60	
<b>MRS18-TB</b>		<b>MRS18-TBH</b>	Three-Phase 200	50	0.4	52	2850	11.0	196	56	-
			Three-Phase 200	60	0.4	70	3300	12.8	245	60	
			Three-Phase 220	60	0.4	74	3350	12.8	245	61	
			Three-Phase 230	60	0.4	76	3350	12.8	245	61	

● Only the terminal block type conforms to the VDE Standards.

● Alarm specifications ⑦ → Page G-20

● Safety standards → Page I-2

## Product Line

### Fans

#### ◇ Terminal Block

Product Name
<b>MRS18-BUL</b>
<b>MRS18-DUL</b>
<b>MRS18-E</b>
<b>MRS18-TUL</b>
<b>MRS18-BB</b>
<b>MRS18-DB</b>
<b>MRS18-EB</b>
<b>MRS18-TB</b>

The following items are included in each product.

● **MRS18-□UL, MRS18-E**

Fan, Operating Manual

● **MRS18-□B**

Fan, Capacitor\*, Capacitor Cap\*,

Operating Manual

\*Single-Phase Fans Only

#### ◇ With Extension Cable

Product Name
<b>MRS18-BH</b>
<b>MRS18-DH</b>
<b>MRS18-EH</b>
<b>MRS18-TH</b>
<b>MRS18-BBH</b>
<b>MRS18-DBH</b>
<b>MRS18-EBH</b>
<b>MRS18-TBH</b>

The following items are included in each product.

Fan, Extension Cable (Power Supply Cable, Alarm

Cable\*), Operating Manual

\*Alarm Type Only

## Fan Kit Products

### ◇ With finger guard

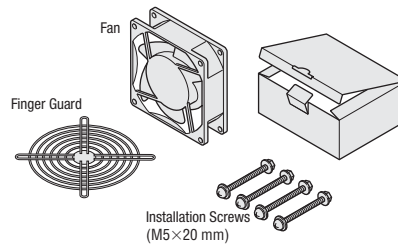
#### ● Terminal Block

Product Name
T-MRS18-BUL-G
T-MRS18-DUL-G
T-MRS18-E-G
T-MRS18-TUL-G
T-MRS18-BB-G
T-MRS18-DB-G
T-MRS18-EB-G
T-MRS18-TB-G

#### ● With Extension Cable

Product Name
T-MRS18-BHG
T-MRS18-DHG
T-MRS18-EHG
T-MRS18-THG
T-MRS18-BBHG
T-MRS18-DBHG
T-MRS18-EBHG
T-MRS18-TBHG

The following items are included in each kit.



### ◇ With Filter

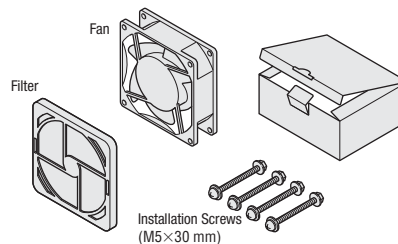
#### ● Terminal Block

Product Name
T-MRS18-BUL-F
T-MRS18-DUL-F
T-MRS18-E-F
T-MRS18-TUL-F
T-MRS18-BB-F
T-MRS18-DB-F
T-MRS18-EB-F
T-MRS18-TB-F

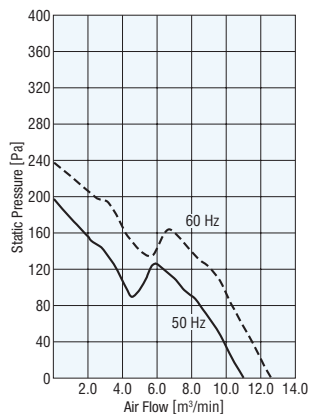
#### ● With Extension Cable

Product Name
T-MRS18-BHF
T-MRS18-DHF
T-MRS18-EHF
T-MRS18-THF
T-MRS18-BBHF
T-MRS18-DBHF
T-MRS18-EBHF
T-MRS18-TBHF

The following items are included in each kit.



## Air Flow – Static Pressure Characteristics (The characteristics are applicable for the fan only.)

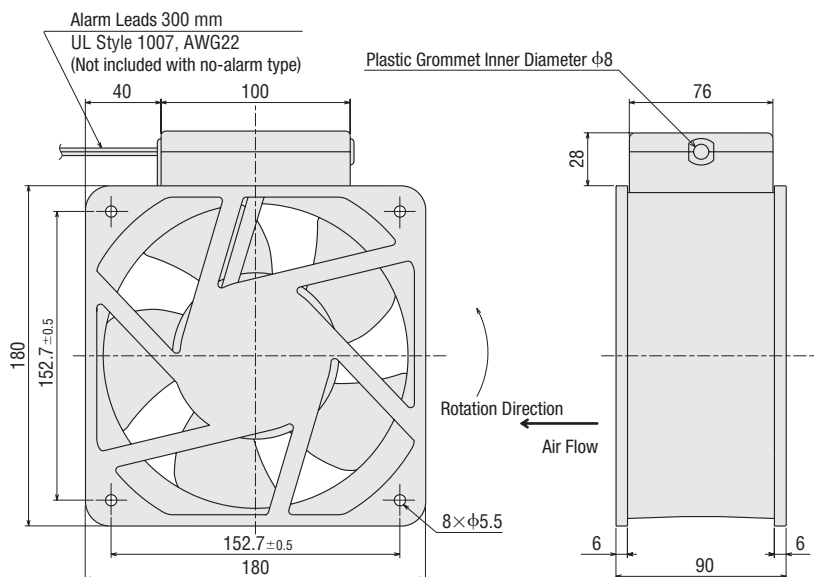


## Dimensions (Unit mm)

### ● Terminal Block

Mass: 2.5 kg

CAD E002



## With Extension Cable

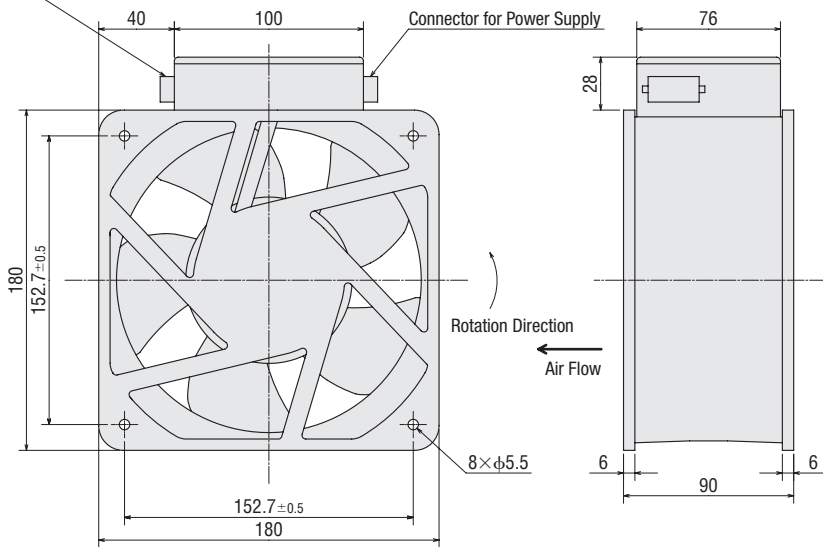
### ◇ Fan

Mass: 2.5 kg

No Alarm Type/ **CAD** E127

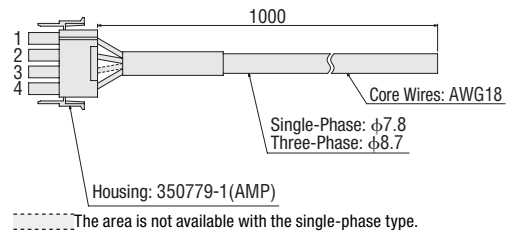
Alarm Type/ **CAD** E126

Connector for Alarm  
(Not included with no-alarm type)

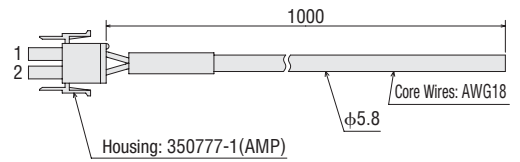


### ◇ Extension Cable

#### • Power Supply Cable (Included)



#### • Alarm Cable (Included with the alarm type)



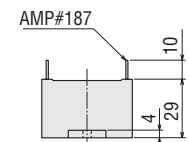
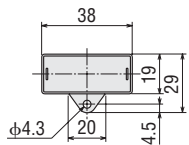
### ◇ Capacitor (Included)

A capacitor and capacitor are included in single-phase alarm type fans. Single-phase no-alarm type fans contain a built-in capacitor.

#### • Capacitor for **MRS18-BB, MRS18-DB**

CH60UL

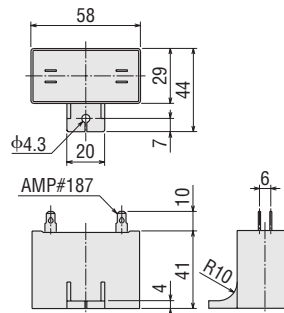
Mass: 32 g



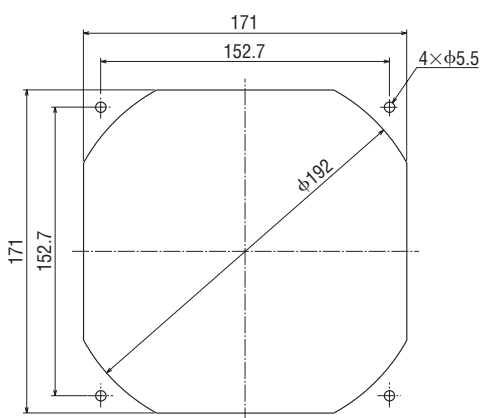
#### • Capacitor for **MRS18-EB**

CH60BFAUL

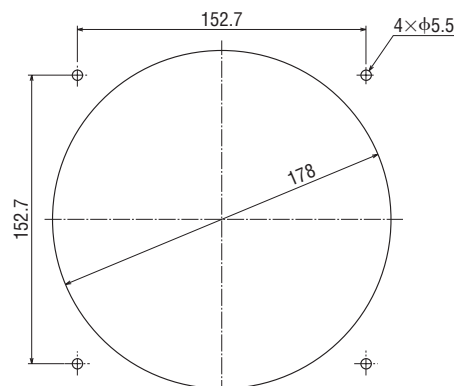
Mass: 85 g



## Panel Cut-Out (Unit mm)



Outlet Side

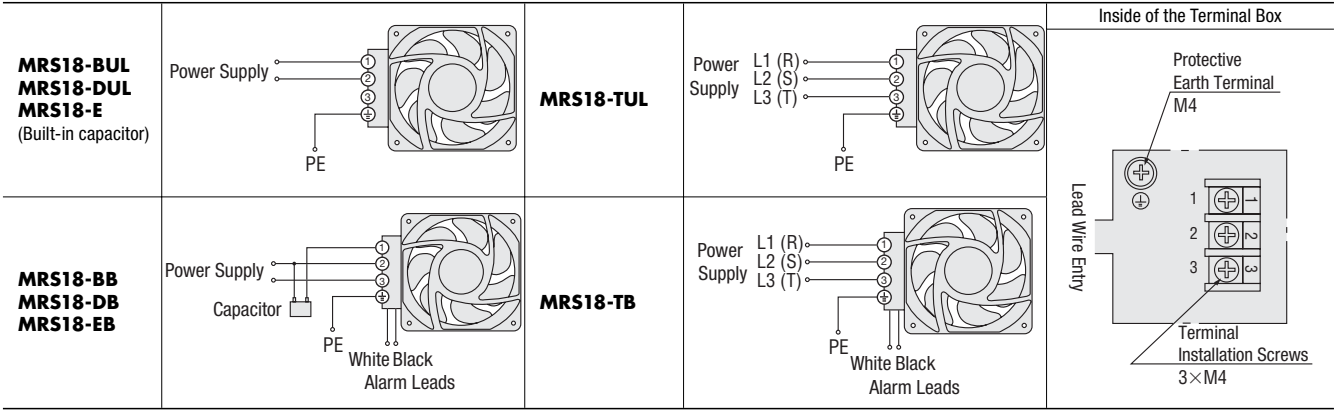


Intake Side

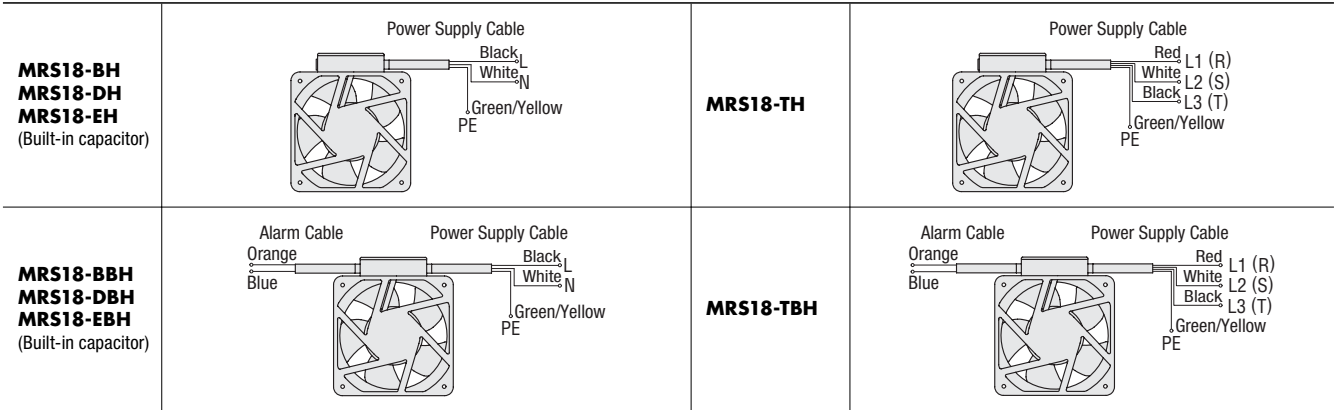


Connection Diagrams

Terminal Block



With Extension Cable



How to connect a capacitor → Page G-159

Accessories

Product	Product Name	Reference Page
Finger Guard	<b>FG18D</b>	G-146
Filter	<b>FL18</b>	G-149

Thermostat

It automatically performs ON and OFF fan control in accordance with the temperature fluctuation inside the equipment. It helps improve the equipment's "environmental" performance relative to energy savings, noise reduction, etc.



RoHS

Thermostat **AM1-XA1**

Reference page → Page G-141

Details of Low-Speed Alarm Type

For details of the **MRS** Series with Low-Speed Alarms, check the Oriental Motor website or contact the Oriental Motor sales office.

Low-Speed Alarm Specification	Product Name
Electronic Alarm Type	<b>MRS18-BTM</b>
	<b>MRS18-DTM, MRS18-ETM, MRS18-TTM</b>
	<b>MRS18-BMH</b>
	<b>MRS18-DMH, MRS18-EMH, MRS18-TMH</b>

## MRS Series

### 200 mm – 90 mm Thick



With Alarm

Operating Voltage Range:  $\pm 10\%$  (Applies to each voltage)  
 Materials  
 Frame: Die cast aluminum  
 Blades: Polycarbonate (Flammability classification V-0)  
 Overheat Protection: Built-in thermal protector  
 Bearings: Ball bearings

Overview,  
Product  
Series

Axial Flow  
Fans

AC Input  
MU

AC Input  
MRS

AC Input  
Long-Life  
MRE

DC Input  
MDS  
MD

DC Input  
Low-Speed  
Alarm  
MDA

DC Input  
Long-Life  
MDE

Centrifugal  
Blowers

AC Input  
MB  
DC Input  
MBD

Cross Flow  
Fans

AC Input  
MF  
DC Input  
MFD

Cooling  
Modules

Thermostat

Accessories

Installation

## Specifications (RoHS)

No Alarm Type: / Alarm Type:

Product Name		Voltage	Frequency	Current	Input	Speed	Maximum Air Flow	Maximum Static Pressure	Noise Level	Capacitor
No-Alarm Type	Low-speed Alarm, Contact Alarm Type <Alarm Specifications: ⑦>									
<b>MRS20-BUL</b>	<b>MRS20-BB</b>	Single-Phase 100	50	0.8	75	2850	13.2	221	56	6.0
		Single-Phase 100	60	1.0	95	3350	15.5	186	60	
		Single-Phase 110	60	1.0	95	3400	15.5	255	61	
		Single-Phase 115	60	1.0	95	3400	15.5	265	61	
<b>MRS20-DUL</b>	<b>MRS20-DB</b>	Single-Phase 200	50	0.4	75	2850	13.2	221	56	6.0
		Single-Phase 200	60	0.5	95	3350	15.5	186	60	
		Single-Phase 230	60	0.5	95	3400	15.5	265	61	
<b>MRS20-E</b>	<b>MRS20-EB</b>	Single-Phase 220	50	0.39	70	2850	13.2	210	56	6.0
		Single-Phase 220	60	0.5	91	3400	15.5	210	60	
		Single-Phase 230	50	0.4	75	2850	13.2	221	56	
		Single-Phase 230	60	0.5	95	3400	15.5	226	60	
<b>MRS20-TUL</b>	<b>MRS20-TB</b>	Three-Phase 200	50	0.4	75	2850	13.2	221	56	-
		Three-Phase 200	60	0.4	95	3350	15.5	265	60	
		Three-Phase 220	60	0.4	95	3400	15.5	265	61	
		Three-Phase 230	60	0.4	95	3400	15.5	265	61	

● Alarm specifications ⑦ → Page G-20

● Safety standards → Page I-2

## Product Line

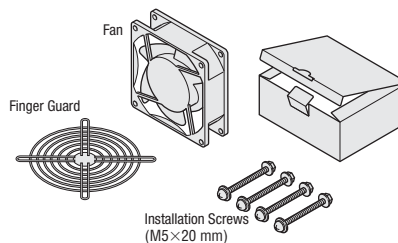
### Fans

Product Name
<b>MRS20-BUL</b>
<b>MRS20-DUL</b>
<b>MRS20-E</b>
<b>MRS20-TUL</b>
<b>MRS20-BB</b>
<b>MRS20-DB</b>
<b>MRS20-EB</b>
<b>MRS20-TB</b>

### Fan Kit Products

Product Name
<b>T-MRS20-BUL-G</b>
<b>T-MRS20-DUL-G</b>
<b>T-MRS20-E-G</b>
<b>T-MRS20-TUL-G</b>
<b>T-MRS20-BB-G</b>
<b>T-MRS20-DB-G</b>
<b>T-MRS20-EB-G</b>
<b>T-MRS20-TB-G</b>

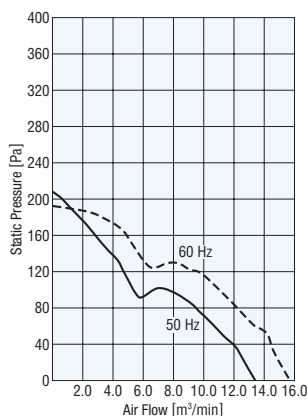
The following items are included in each kit.



The following items are included in each product.

Fan, Capacitor\*, Capacitor Cap\*,  
 Operating Manual  
 \*Single-Phase Fans Only

## Air Flow – Static Pressure Characteristics (The characteristics are applicable for the fan only.)



## Dimensions (Unit mm)

80 mm Mass: 2.5 kg  
**CAD** E001

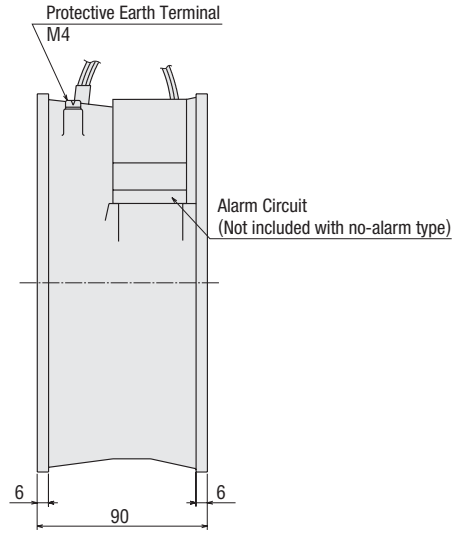
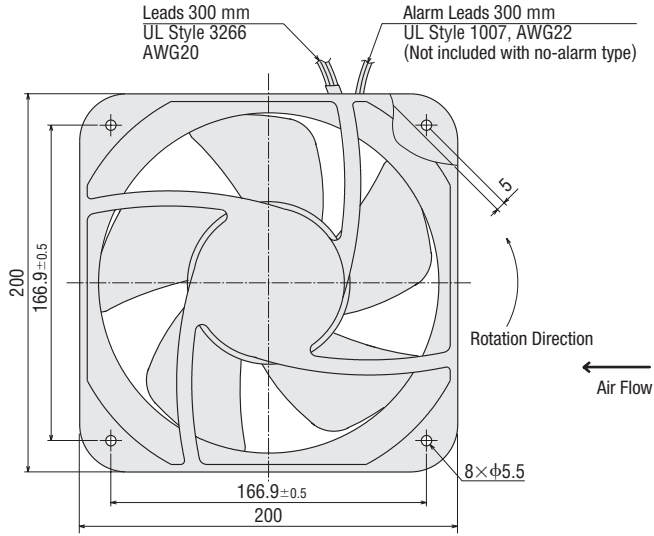
92 mm

104 mm

119 mm

140 mm

160 mm



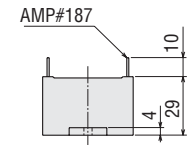
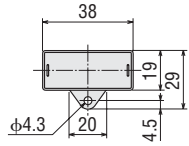
## Capacitor (Included)

Capacitor and capacitor cap are included with single-phase fans.

180 mm

### Capacitor for **MRS20-B**□□, **MRS20-D**□□

CH60UL  
 Mass: 32 g

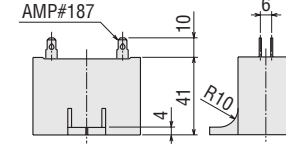
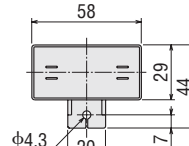


200 mm

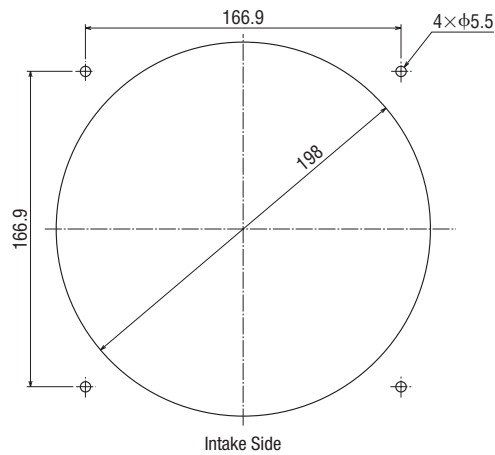
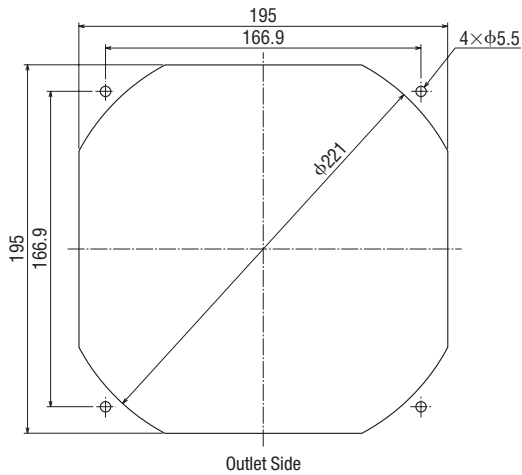
250 mm

### Capacitor for **MRS20-E**□

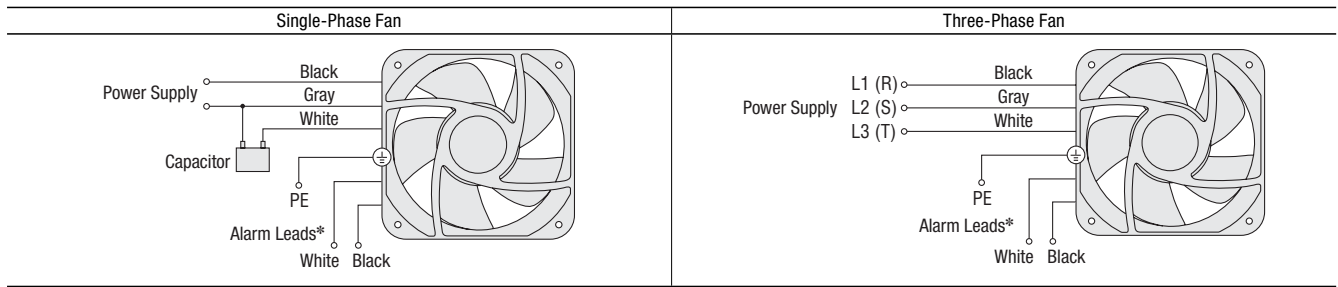
CH60BFAUL  
 Mass: 85 g



## Panel Cut-Out (Unit mm)



## Connection Diagrams



\*No-alarm type does not have alarm lead wire.

● How to connect a capacitor → Page G-159

## Accessory

Product	Product Name	Reference Page
Finger Guard	<b>FG20D</b>	G-146

## Thermostat

It automatically performs ON and OFF fan control in accordance with the temperature fluctuation inside the equipment. It helps improve the equipment's "environmental" performance relative to energy savings, noise reduction, etc.



**RoHS**

Thermostat **AM1-XA1**

● Reference page → Page G-141

Overview,  
Product  
Series

Axial Flow  
Fans

AC Input  
**MU**

AC Input  
**MRS**

AC Input  
Long-Life  
**MRE**

DC Input  
**MDS**  
**MD**

DC Input  
Low-Speed  
Alarm  
**MDA**

DC Input  
Long-Life  
**MDE**

Centrifugal  
Blowers

AC Input  
**MB**  
DC Input  
**MBD**

Cross Flow  
Fans

AC Input  
**MF**  
DC Input  
**MFD**

Cooling  
Modules

Thermostat

Accessories

Installation

### Details of Low-Speed Alarm Type

For details of the **MRS** Series with Low-Speed Alarms, check the Oriental Motor website or contact the Oriental Motor sales office.

Low-Speed Alarm Specification	Product Name
Electronic Alarm Type	<b>MRS20-BM</b>
	<b>MRS20-DM, MRS20-EM, MRS20-TM</b>

MRS Series

80 mm  92 mm  104 mm  119 mm  140 mm  160 mm  180 mm  200 mm  250 mm  **250 mm – 120 mm Thick**



With Alarm

Operating Voltage Range: ±10% (Applies to each voltage)  
 Materials  
 Frame: Die cast aluminum  
 Blades: Polycarbonate (Flammability classification V-0)  
 Overheat Protection: Built-in thermal protector  
 Bearings: Ball bearings



Specifications (RoHS)

Product Name		Voltage	Frequency	Current	Input	Speed	Maximum Air Flow	Maximum Static Pressure	Noise Level	Capacitor
No-Alarm Type	Low-Speed Alarm Contact Alarm Type <Alarm Specifications: ⑦>									
<b>MRS25-B</b>	<b>MRS25-BB</b>	Single-Phase 100	50	0.8	80	2800	21	290	58	16
		Single-Phase 100	60	1.1	110	3220	24	320	62	
		Single-Phase 110	60	1.1	120	3280	24	340	62	
		Single-Phase 115	60	1.1	125	3300	24	360	62	
<b>MRS25-D</b>	<b>MRS25-DB</b>	Single-Phase 200	50	0.4	85	2790	21	290	58	4.5
		Single-Phase 200	60	0.7	120	3220	24	320	62	
		Single-Phase 220	50	0.4	95	2820	21	310	58	
		Single-Phase 220	60	0.7	130	3260	24	360	62	
		Single-Phase 230	50	0.5	100	2830	21	320	58	
		Single-Phase 230	60	0.7	135	3290	24	360	62	
<b>MRS25-T</b>	<b>MRS25-TB</b>	Three-Phase 200	50	0.4	70	2830	21	310	58	-
		Three-Phase 200	60	0.4	100	3270	24	360	62	
		Three-Phase 220	50	0.4	80	2850	21	320	58	
		Three-Phase 220	60	0.4	105	3320	25	390	62	
		Three-Phase 230	50	0.4	105	3340	25	410	63	
		Three-Phase 230	60	0.4	105	3340	25	410	63	

- The products above conform to Energy-related Products Directive which became effective in the EU on January 1, 2013. For details, please contact your nearest Oriental Motor sales office.
- Alarm specifications ⑦ → Page G-20
- Safety standards → Page I-2

Product Line

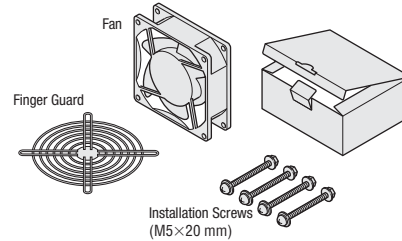
Fans

Product Name
<b>MRS25-B</b>
<b>MRS25-D</b>
<b>MRS25-T</b>
<b>MRS25-BB</b>
<b>MRS25-DB</b>
<b>MRS25-TB</b>

Fan Kit Products

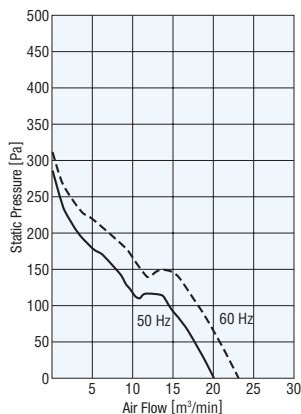
Product Name
<b>T-MRS25-B-G</b>
<b>T-MRS25-D-G</b>
<b>T-MRS25-T-G</b>
<b>T-MRS25-BB-G</b>
<b>T-MRS25-DB-G</b>
<b>T-MRS25-TB-G</b>

The following items are included in each kit.



The following items are included in each product.  
 Fan, Capacitor\*, Capacitor Cap\*,  
 Operating Manual  
 \*Single-Phase Fans Only

Air Flow – Static Pressure Characteristics (The characteristics are applicable for the fan only.)



Details of Low-Speed Alarm Type

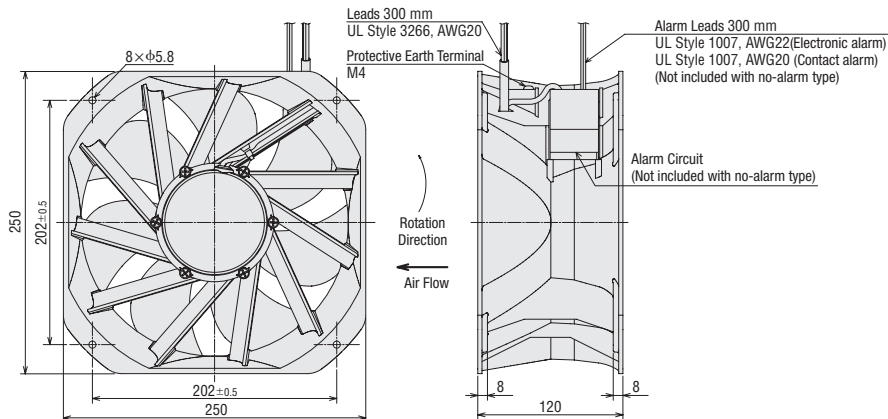
For details of the MRS Series with Low-Speed Alarms, check the Oriental Motor website or contact the Oriental Motor sales office.

Low-Speed Alarm Specification	Product Name
Electronic Alarm Type	<b>MRS25-BM, MRS25-DM, MRS25-TM</b>

## Dimensions (Unit mm)

Mass: 4.1 kg

CAD E097



## Capacitor (Included)

◇ Capacitor for **MRS25-B**□, **MRS25-D**□

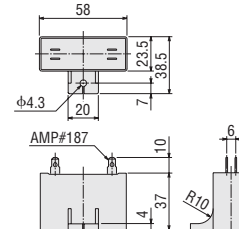
CH160CFAUL

Mass: 75 g

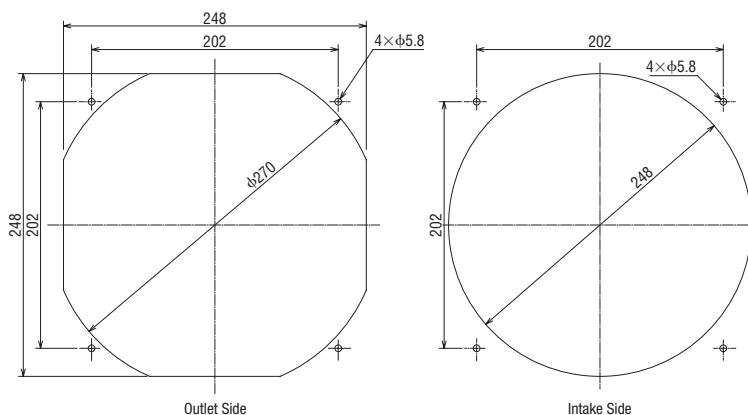
CH45BFAUL

Mass: 73 g

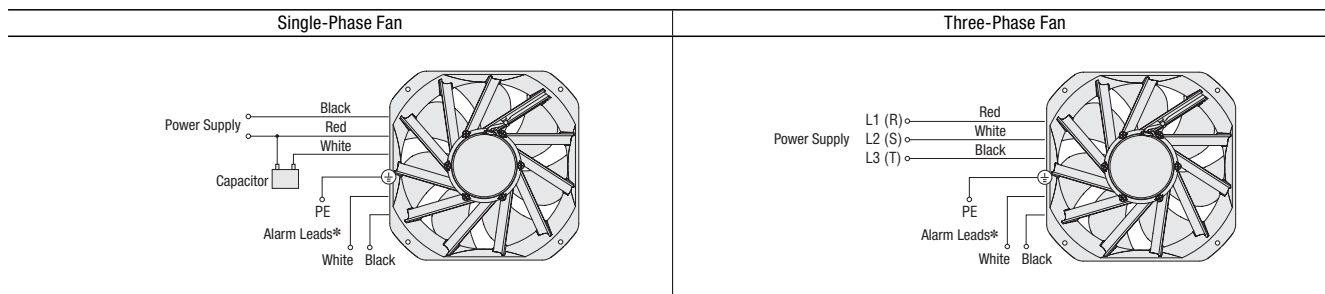
(Capacitor and capacitor cap are included with single-phase fans.)



## Panel Cut-Out (Unit mm)



## Connection Diagrams



\*No-alarm type does not have alarm lead wire.

● How to connect a capacitor → Page G-159

## Accessory

Product	Product Name	Reference Page
Finger Guard	<b>FG25D</b>	G-146

## Thermostat

It automatically performs ON and OFF fan control in accordance with the temperature fluctuation inside the equipment. It helps improve the equipment's "environmental" performance relative to energy savings, noise reduction, etc.



RoHS

Thermostat **AM1-XA1**

● Reference page → Page G-141