

## 2-Way full-bore Flat body flanged Stainless steel Ball Valve

ART. 414-415 PN 40



**Standard executions:**

Flanges as per: UNI 2223 and 2229 PN 40 , DIN 2501 BL.1

General specifications: BS 5351

("FIRE SAFE" conforming to BS 6755 on request)

Working temperature: from -20°C to +150°C

Working pressure: PN 40 max.

Fluid range: air, water, gas, petroliferous and petrochemical products, aggressive media.

**Approvals:**

According to 97/23 EC "PED"

**On request:**

Heating jackets.

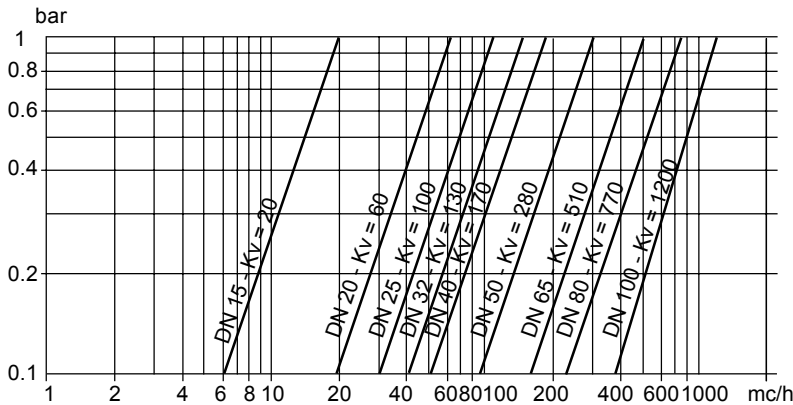
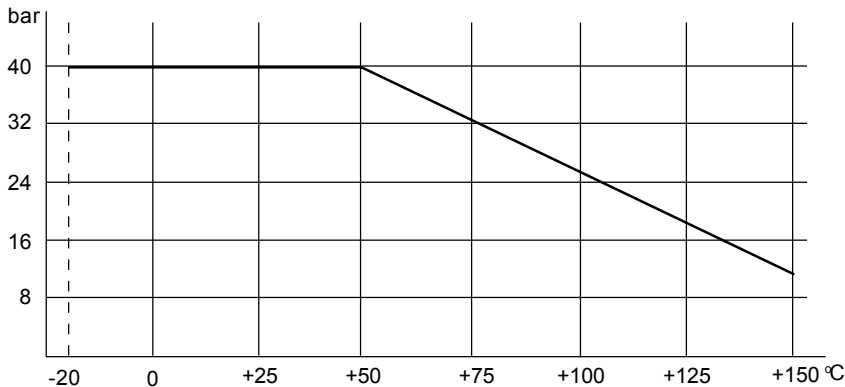
Seals made of: PTFE with glass

PTFE with carbon graphite

For other applications, please contact our technical department.

**VALVE CODES IN STANDARD EXECUTION**

size	DN 15	DN 20	DN 25	DN 32	DN 40	DN 50	DN 65	DN 80	DN 100
Free shaft weight Kg.	V415X604	V415X605	V415X606	V415X607	V414X608	V414X609	V414X610	V414X611	V414X612
with lever weight Kg.	L415X604	L415X605	L415X606	L415X607	L414X608	L414X609	L414X610	L414X611	L414X612
weight Kg.	1.65	2.2	2.85	4.5	5.8	7.6	15.4	20.2	37.6



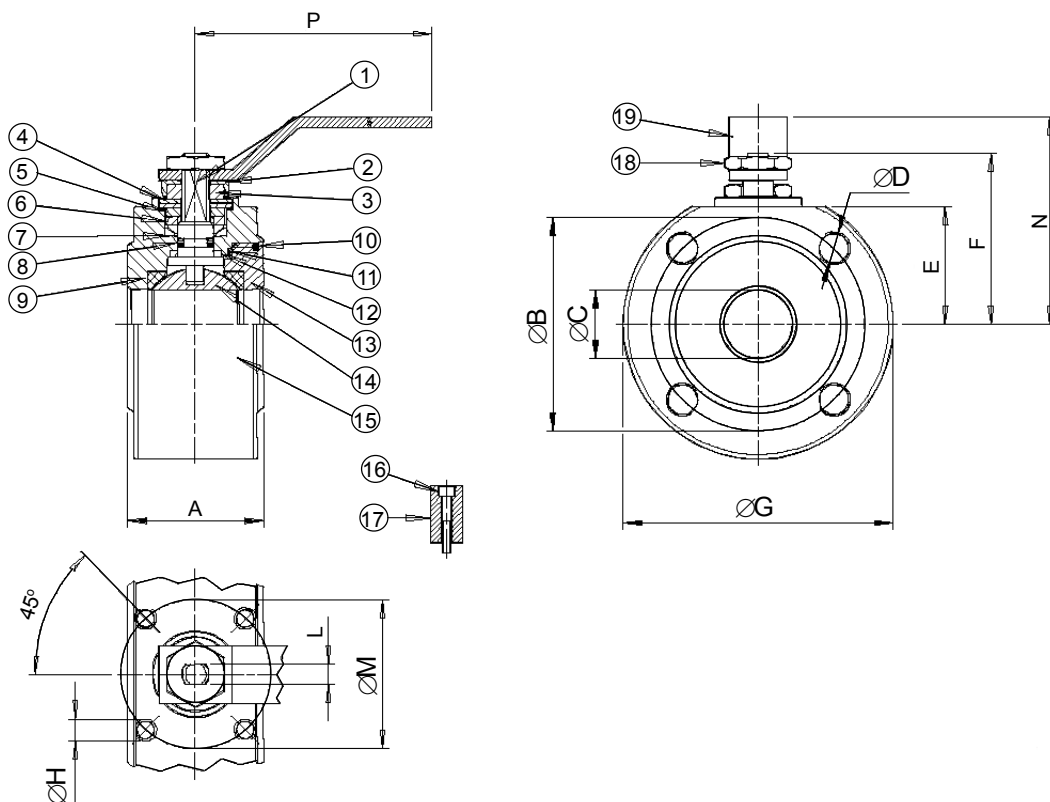
**BREAK AWAY TORQUES in Nm**

size	DN 15	DN 20	DN 25	DN 32	DN 40	DN 50	DN 65	DN 80	DN 100
PN 0 bar									
PN 16 bar									
PN 25 bar									
PN 40 bar	11	13	18	33	36	65	87	130	260

Torque can vary depending on temperature and type of fluid; a safety factor of 1.4 must be applied.

Torque can drop on high frequency of operations.

## VALVE TYPE 414-415 PN 40



### MATERIALS

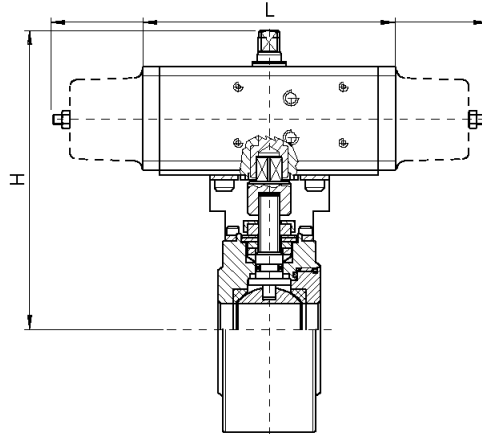
1) Shaft *	AISI 316	1.4401	UNI X5CrNiMo 17 12
2) Nut holder	AISI 304	1.4301	UNI X5CrNi 18 10
3) Lock nut	AISI 304	1.4301	UNI X5CrNi 18 10
4) Spring	AISI 301	1.4310	UNI X12CrNi 17 07
5) Ring	AISI 304	1.4301	UNI X5CrNi 18 10
6) Gland nut ring	AISI 304	1.4301	UNI X5CrNi 18 10
7) Top sealing	P.T.F.E.		
8) O-ring	FKM		
9) Seals	P.T.F.E.		
10) O-ring	FKM		
11) Ring nut sealing	P.T.F.E.		
12) Bottom sealing	P.T.F.E.		
13) Ring nut*	AISI 316	1.4401	UNI X5CrNiMo 17 12
14) Ball *	AISI 316	1.4401	UNI X5CrNiMo 17 12
15) Body *	AISI 316	1.4408	
16) Holder screw	AISI 304	1.4301	UNI X5CrNi 18 10
17) Holder	AISI 304	1.4301	UNI X5CrNi 18 10
18) Lever nut	AISI 304	1.4301	UNI X5CrNi 18 10
19) Lever	AISI 304	1.4301	UNI X5CrNi 18 10

\* Version in AISI 304 on request

### DIMENSIONS

Size	A	ØB	ØC	ØD	E	F	ØG	ØH	L	ØM	n° holes	N	P
DN15	35	65	15	M12	31	48	90	M5	6	36	4	65	140
DN20	38	75	20	M12	34	51	100	M5	6	36	4	70	140
DN25	43	85	25	M12	39.5	62.5	110	M5	8	42	4	82	180
DN32	50	100	32	M16	46	67	130	M5	8	42	4	85	180
DN40	60	110	40	M16	50	80	150	M6	10	50	4	102	230
DN50	70	125	50	M16	57	87	165	M6	10	50	4	110	230
DN65	95	145	65	M16	80	119.5	175	M8	14	70	4	137.5	350
DN80	118	160	78	M16	90	129.5	190	M8	14	70	8	150	350
DN100	140	190	96	M20	109	156.5	235	M10	16	102	8	173	508

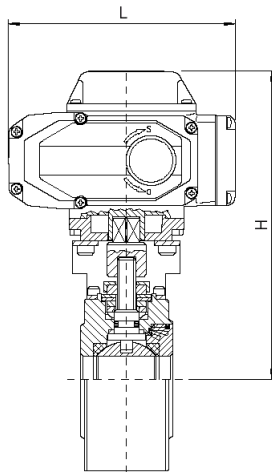
## AUTOMATED VALVE TYPE 414-415 PN 40



### DOUBLE ACTING PNEUMATIC ACTUATOR

### SPRING RETURN PNEUMATIC ACTUATOR

Model	Actuator	Mounting kit	DN mm	L mm	H mm	Weight Kg	Model	Actuator	Mounting kit	DN mm	L mm	H mm	Weight Kg
D415H064	DA030401S	KCF031315	15	130	151	2.5	S415H064	SR030402S	KCF042353	15	240	161	3.5
D415H065	DA030401S	KCF031315	20	130	154	3	S415H065	SR030402S	KCF042353	20	240	164	4
D415H066	DA030401S	KCF031317	25	130	159.5	3.7	S415H066	SR030402S	KCF042354	25	240	169.5	4.6
D415H067	DA060402S	KCF042354	32	152	176	5.7	S415H067	SR060401S	KCF051909	32	320	202	7.5
D414H068	DA060402S	KCF042355	40	152	180	7.1	S414H068	SR060401S	KCF051322	40	320	206	9.1
D414H069	DA120401S	KCF051322	50	184	213	10	S414H069	SR120401S	KCF071323	50	372	243	14
D414A070	DA180401S	KCF071326	65	212	255	18.4	S414A070	SR180401S	KCF101280	65	436	277	24.4
D414H071	DA240401S	KCF071326	80	242	275	25	S414H071	SR240401S	KCF101280	80	460	309	30.5
D414H072	DA480401S	KCF101092	100	295	341	45.5	S414H072	SR480401S	KCF121065	100	609	382	56.2



### ON - OFF ELECTRICAL ACTUATOR

### ROTARY MODULAR TYPE ELECTRICAL ACTUATOR

Model	Actuator	Mounting kit	DN mm	L mm	H mm	Weight Kg	Model	Actuator	Mounting kit	DN mm	L mm	H mm	Weight Kg
E41516D64	AE160004	KCF051907	15	158.5	190.5	4.3	M41516F64	AM160005	KCE282020	15	207.5	203.5	5.7
E41516D65	AE160004	KCF051907	20	158.5	193.5	4.8	M41516F65	AM160005	KCE282020	20	207.5	237.5	7.3
E41516D66	AE160004	KCF052074	25	158.5	199	5.4	M41516F66	AM160005	KCE281880	25	207.5	243	7.9
E41516H67	AE160010	KCE281912	32	207.5	249.5	8.7	M41516L67	AM160020	KCE362076	32	256.5	271	13.5
E41416H68	AE160010	KCE281912	40	207.5	253.5	10.1	M41416L68	AM160020	KCE362076	40	256.5	295	15.4
E41416H69	AE160010	KCE281912	50	207.5	260.5	9.9	M41416L69	AM160020	KCE362022	50	256.5	302	15
E41416L70	AE160020	KCE361911	65	256.5	302	18.8	M41416L70	AM160020	KCE361911	65	256.5	325	19.7
E41416N71	AE160040	KCE362024	80	256.5	335	22	M41416P71	AM160050	KCE562220	80	381	384	34.2
E41416N72	AE160040	KCE362024	100	256.5	346	30	M41416P72	AM160050	KCE562023	100	381	395	44.9