

CJTSA-12/6-0.75



Soundproofed ventilation units with forward-facing blades, fitted with TSA series fans on rubber dampers

Fan:

- Galvanised sheet steel casing
- Impeller with forward-facing blades made from galvanised sheet steel
- Galvanised sheet steel structure with thermal insulation and soundproofing
- Stuffing-box for cable input

Motor:

- IE2 efficiency motors for capacities equal to or over 0.75kW and below 7.5kW. except single-phase. 2 speed and 8 pole motors
- IE3 efficiency for 7.5kW and larger motors. Except for 1Ph. 2 speed and 8 pole motors
- Class F insulation. IP55
- Three-phase 230/400V.50Hz. (up to 4kW) and 400/690V.50Hz. (power over 4kW)
- Max. air temperature to transport: -20°C.+60°C.

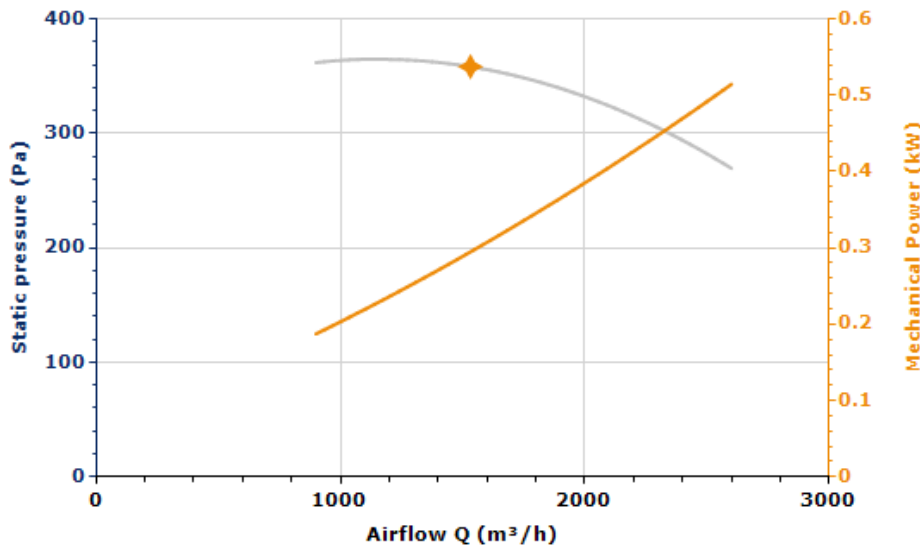
Finish:

- Anticorrosive galvanised sheet steel

On request:

- Different outlet positions
- Special windings for different electrical supplies
- With two speed motors
- IE2 and IE3 efficiency motors assembled on any unit

CHARACTERISTIC CURVE AND ACOUSTICS AT 1.2KG/M³



Design Point

Q (m³/h)	
Ps (Pa)	

Service Point (SP)

Q (m³/h)	
Ps (Pa)	
Pd (Pa)	
Pt (Pa)	
Impeller (rpm)	
Max. Temp. (°C)	
Outlet air speed (m/s)	
Efficiency (%)	
Mechanical Power (kW)	

TECHNICAL CHARACTERISTICS

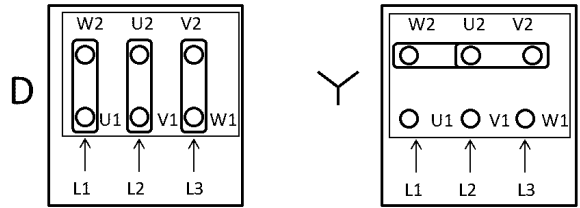
Airflow maximum (m³/h)	2600
Speed (rpm)	1000
Approx. weight (kg)	73

Efficiency	36.0%
Efficiency grade N	44.7
Measurement category	C
Efficiency category	Static
Specific ratio	1.00
Flowrate (m³/h)	1532
Pressure (Pa)	357.55
Input power (kW)	0.42
Speed (rpm)	1000
Variable speed drive	VSD not necessary

◆ Data established at point of optimum efficiency

MOTOR DATA

Rated Mechanical Power (kW)	0.55
Hz/phases	50/3
Motor (rpm)	1340
Poles	4
Max. current (A) 380-415 V Y	1.52
Max. current (A) 220-240 V D	2.64
Motor protection	IP55
Motor frame size	80



Data can change, please check motor plate

AVAILABLE ACCESSORIES


INT



C2V



RM



AR


 VSD3/A-RFT -
VSD1/A-RFM

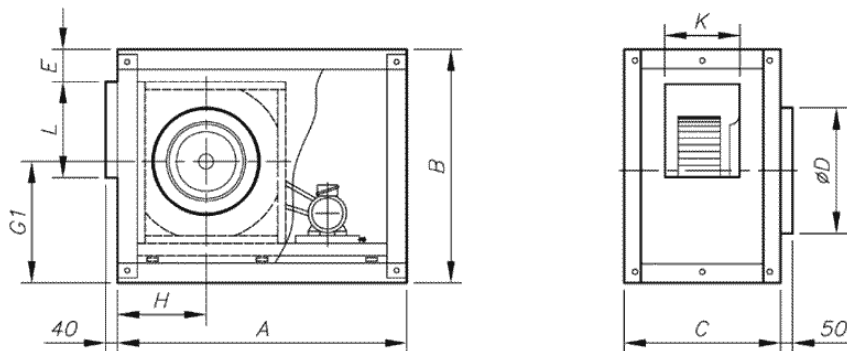

AET

It must be checked that the accessory is suitable for the fan model

DIMENSIONS

A	B	C	∅D	E	G1	H	L	K
850	650	540	330	74	288	288	346	210

Dimensions without explicitly defined units are shown in millimeters (mm)

Standard (H) RD-90

(H) LG-90
