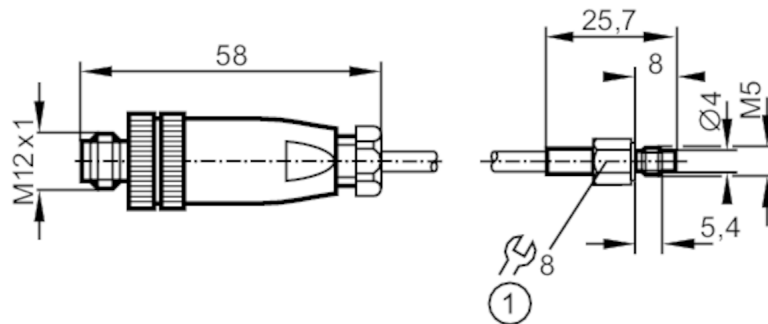


TS9759



Temperature cable sensor with process connection

TS-050KL.M05-...../US/



1 Tightening torque 1.5 Nm



Product characteristics

Measuring range	-30...180 °C	-22...356 °F
-----------------	--------------	--------------

Application

Measuring element	1 x Pt 100; (to DIN EN 60751, class A)	
Installation	Contact sensor for solid bodies	

Electrical data

Protection class	III	
------------------	-----	--

Measuring/setting range

Measuring range	-30...180 °C	-22...356 °F
-----------------	--------------	--------------

Accuracy / deviations

Accuracy	[K]	$\pm (0,15 K + 0,002 \times t)$
----------	-----	-----------------------------------

Reaction times

Dynamic response T05 / T09	[s]	3 / 8; (according to DIN EN 60751)
----------------------------	-----	------------------------------------

Operating conditions

Protection	IP 67	
------------	-------	--

Tests / approvals

MTTF	[years]	10377.8
------	---------	---------

Mechanical data

Weight	[g]	49.1
Housing	screw-in sensor	
Dimensions	[mm]	M5 / L = 25.7
Thread designation	M5	
Material	stainless steel (1.4404 / 316L)	

Remarks

Pack quantity	1 pcs.	
---------------	--------	--

Electrical connection

Cable: 0.5 m, silicone

Connector: 1 x M12; coding: A

TS9759



Temperature cable sensor with process connection

TS-050KL.M05-...../US/



Connection

