

Fan with wall plate**Airflow****Direction****Type:**

»S«

R11P-40EPA-6M-3806

»B«

R11P-40EPP-6M-3806

Available on request

R11_40EPA-6M-3806



Diameter: 400 mm

Fan with guard grill**Airflow****Direction****Type:**

»S«

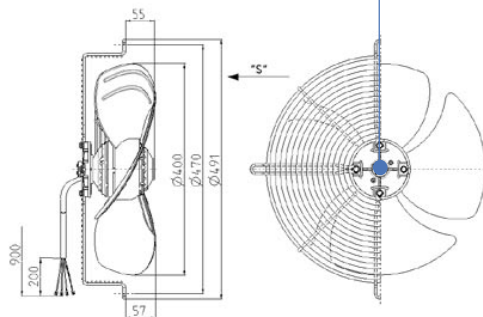
R11R-40EPA-6M-3806

»B«

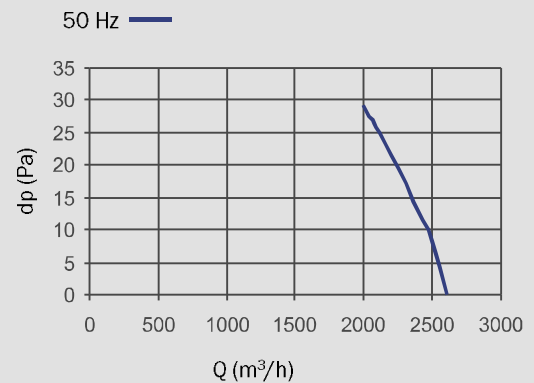
R11R-40EPP-6M-3806

Code:

0311-4-0108

**Weight:**

5,7 kg

Aerodynamic characteristic:**Fan without guard grill****Airflow****Direction****Type:**

»S«

R11E-40EPA-6M-3806

»B«

R11E-40EPP-6M-3806

Available on request

Performance Data:

1~230V 50Hz

 $P_1 = 77W$ $n = 895\text{min}^{-1}$ $I = 0,33A$ $t_R = 50^\circ C$

Lwa = 64dB(A)

C = 3,15uF / 450V

Connection: cable

Ins.Cl. F

IP44

Notes:

Fan characteristic measured in short bell mouth with guard grill